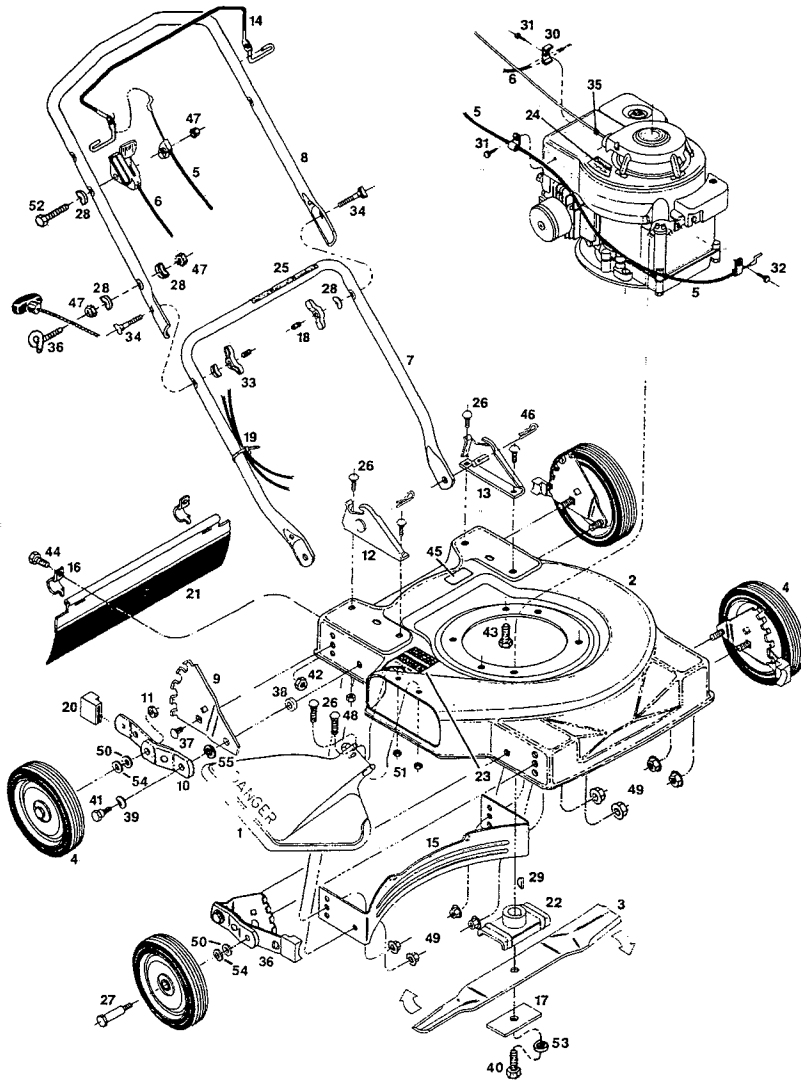




# LAWN CHIEF

## Model 53 F 22" Rotary Mower Grass Catcher GC-12

**⚠ WARNING** DO NOT operate your mower unless those items denoted with an asterisk (\*) are attached and in good working order. Keep your mower in good repair at all times.



INDEX NO.	PART NO.	DESCRIPTION
1	013573	Chute Deflector Assembly*
2	013383	Deck - 22"
3	030353	Blade - 22" - Offset
4	041111	Wheel - 8"
5	051466	Cable - Engine/Blade Control*
6	051219	Control - Throttle
7	071563	Handle - Lower
8	071142	Handle - Upper
9	090589	Back Plate - Height Adjuster
10	091033	Arm Assembly - Wheel
11	715524	Locknut - 3/8-16
12	104661	Handle Bracket - Right Hand
13	104679	Handle Bracket - Left Hand
14	109298	Bail Engine/Blade Control*
15	106625	Baffle - Rear Only
16	106914	Clip - Trailing Shield
17	106005	Blade Washer
18	110064	Bolt Cap
19	110379	Cable Tie
20	112540	Plastic Tip - Height Adjuster
21	111617	Trailing Shield*
22	126466	Blade Adapter
23	144063	Decal - Danger*
24	001461	Decal - Blade Warning*
25	144899	Decal - Starting Instructions
26	150011	Bolt - Carriage 1/4-20 x 5/8
27	150730	Shoulder Bolt - Wheel
28	150201	Washer - Curved 5/16
29	150276	Woodruff Key No. 6
30	150318	Cable Clamp
31	150623	Screw - Sheet Metal 10 x 5/8
32	151613	Bolt - Hex HD Sems #10-32 x 3/8
33	151795	Wing Nut 5/16-18
34	151936	Bolt - Curved Hd 5/16-18x2-1/4
35	152074	Rope Stop
36	152371	Eyebolt - Rope Guide
37	152405	Bolt-Carriage 3/8-16 x 3/4
38	156182	Washer Plastic - Height Adjuster
39	152421	Washer Spring - Height Adjuster
40	157255	Bolt - Blade 3/8-24 x 1
41	156125	Shoulder Bolt - Height Adjuster
42	452318	Nut - #10-24 Hex Nylon Insert
43	457168	Bolt 3/8-16 x 7/8 TDFM
44	458687	Bolt - Hex Head 10-24 x 1/2
45	714170	Decal - Model Number
46	715011	Hairpin Cotter
47	715037	Locknut - 1/4-20 Keps
48	715078	Locknut - 1/4-20 Whiz
49	451492	Nut - 3/8-16 Toplock Flange
50	715417	Washer - 3/8 SAE
51	715508	Locknut - 1/4-20 Top
52	153874	Bolt - 1/4-20x2-1/4 HHCS
53	156919	Lockwasher - 3/8 HD Split
54	715607	Washer - 3/8 Belleville
55	156877	Washer - 3/8 Hardened

**NOTE:** Parts are right or left hand as viewed from operator position.  
Approximate cutting heights 1-1/8" to 3-1/8".  
Specifications subject to change without prior notice.