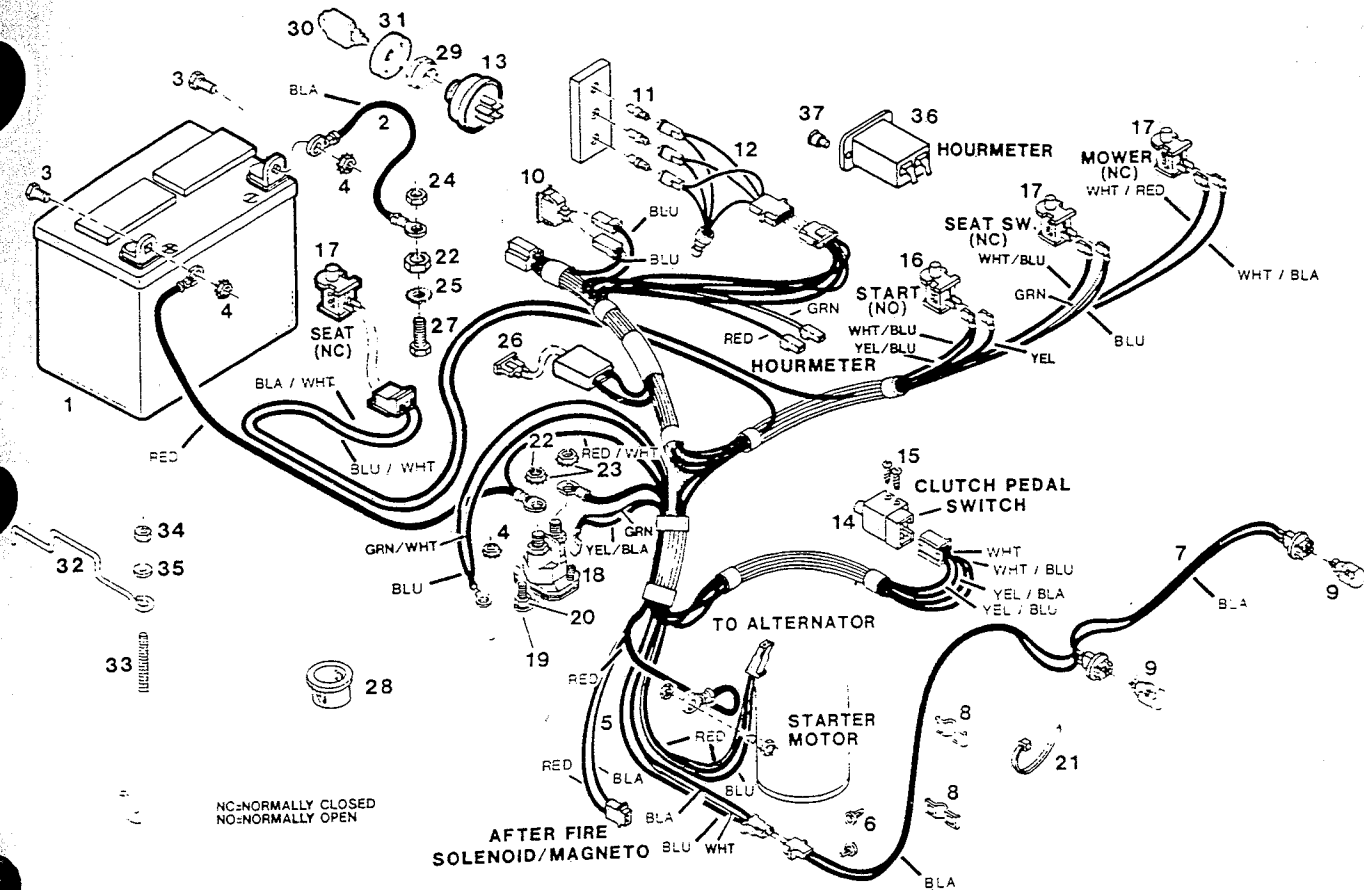


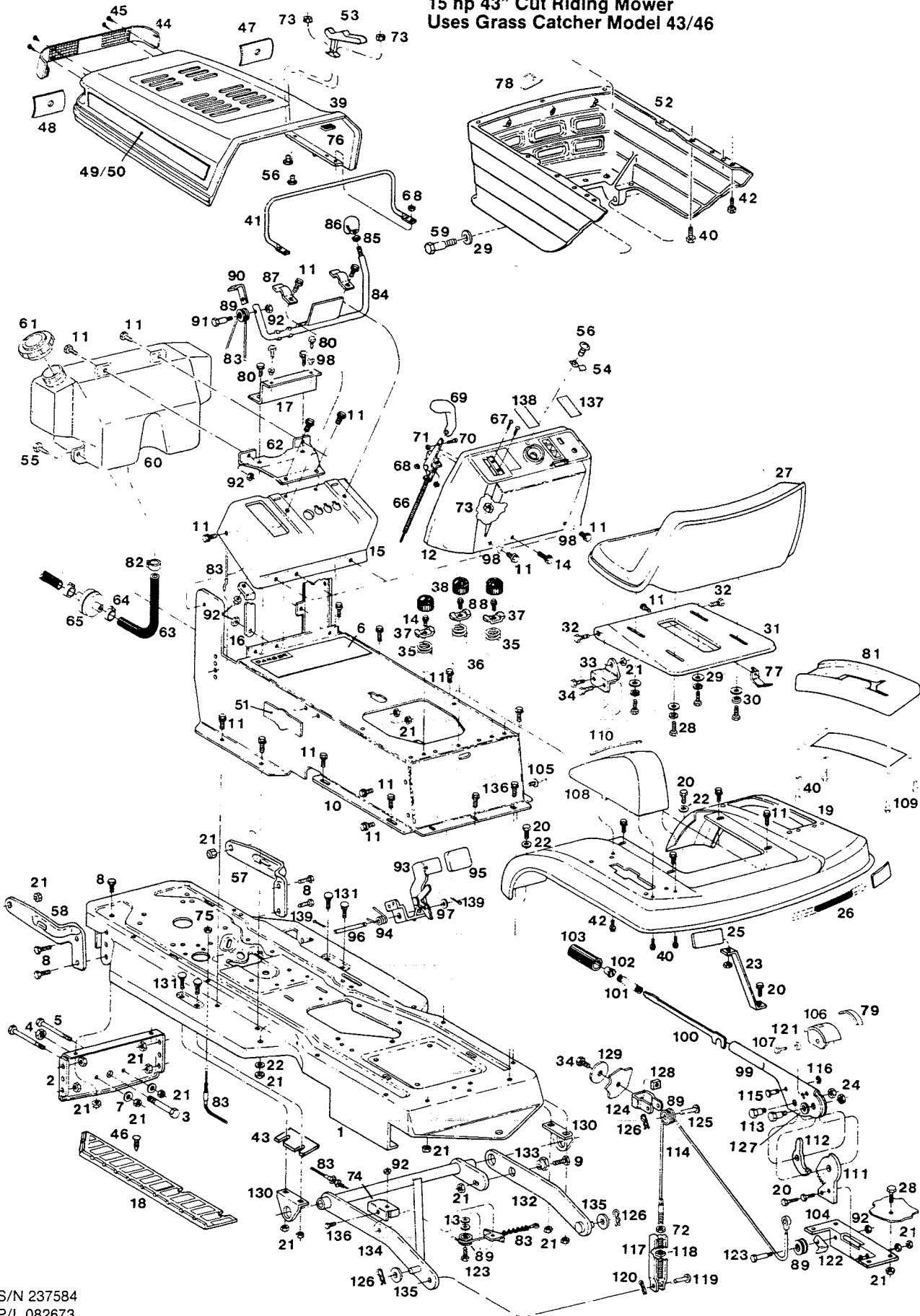
MODEL 540M
15 hp 43" Cut Riding Mower
Uses Grass Catcher Model 43/46



ELECTRICAL SYSTEM

Index No.	Part No.	Description	Index No.	Part No.	Description
1	138735	Battery - 12 volt, dry	19	158121	Bolt - hex 1/4-20 x 3/4
2	134908	Wire - battery ground, black	20	616375	Nut - hex 1/4-20
3	449587	Bolt - hex 1/4-20 x 5/8	21	110379	Tie - cable
4	715037	Nut - hex 1/4-20 keps	22	157974	Nut - hex 5/16-24
5	138978	Harness - wiring	23	152975	Washer - lock 5/16 ext tooth
6	112326	Retainer - harness	24	310151	Nut - hex 5/16-18 nylok
7	136945	Harness - headlights	25	153510	Washer - lock 5/16 int tooth
8	134676	Retainer - harness, press-on	26		Fuse - 15 amp (purchase locally)
9	135533	Bulb - headlights	27	152108	Bolt - hex 5/16-18 x 1
10	135814	Switch - headlights	28	114942	Bushing - wire insulator
11	136051	Bulb - monitor indicator	29	158717	Nut - switch
12	136192	Harness - indicator lights	30	136242	Key - ignition
13	135798	Switch - ignition w/o keys	31	112698	Boot - ignition switch
14	138925	Switch - clutch interlock	32	096123	Bracket - battery hold-down
15	157933	Screw - pan head #12	33	096115	Rod - battery hold-down
16	135822	Switch - no start	34	452615	Nut - hex 1/4-20 nylok
17	138750	Switch - system interlock	35	615690	Washer - flat 1/4
18	134940	Solenoid - starter	36	138867	Hourmeter
			37	764217	Rivet - pop 1/8

MODEL 540M
15 hp 43" Cut Riding Mower
Uses Grass Catcher Model 43/46



S/N 237584
P/L 082673
O/M 082736
E/M 082747

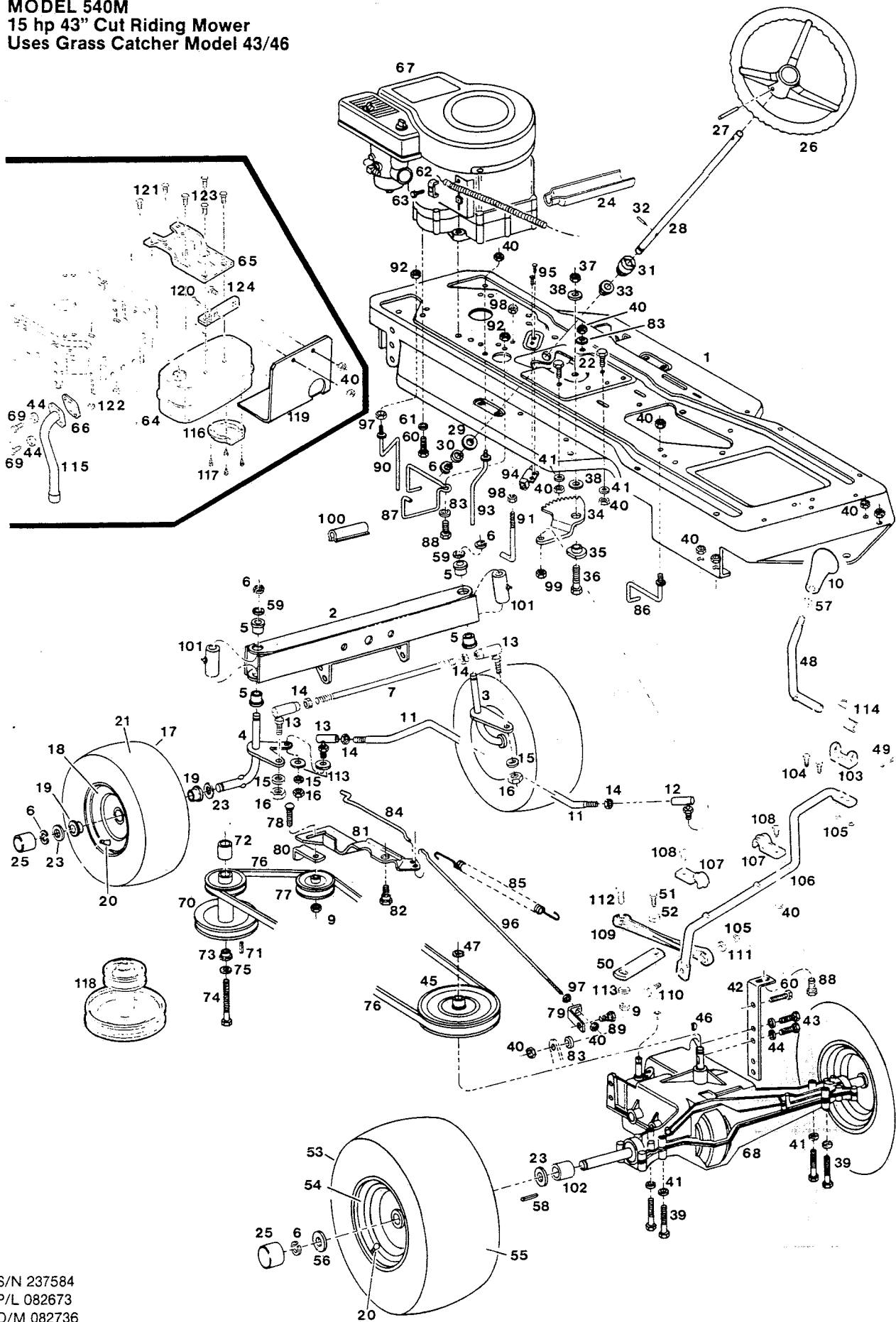
MODEL 540M
15 hp 43" Cut Riding Mower
Uses Grass Catcher Model 43/46

MAIN FRAME

Index No.	Part No.	Description	Index No.	Part No.	Description
1	023341	Frame - main	71	159244	Nut - hex 8-32
2	019240	Bracket - front axle	72	310052	Nut - hex 1/4-20
3	380303	Bolt - hex shoulder 1/2-13 x 2-5/8	73	452102	Nut - hex keps #8-32
4	380311	Nut - hex jam 1/2-13 top lock	74	174128	Bracket - cable pulley
5	164699	Bolt - shoulder 5/16-18 x 2-7/8	75	159426	Nut - hex jam 1/4-28
6	009589	Decal - DANGER on console	76	446799	Pad - hood
7	462762	Washer - flat 5/16	77	013755	Bracket - seat switch
8	157636	Bolt - hex 5/16-18 x 3/4 whiz	78	110379	Strap - tie
9	156968	Bolt - hex 5/16-18 x 1-1/4	79	008433	Decal - height indicator numbers
10	017996	Console - chassis	80	158097	Screw - taptite 1/4-20 x 5/8
11	158089	Screw - taptite 1/4-20 x 1/2	81	086777	Guide - shift lever w/decals
12	115113	Dash - plastic	82	162404	Clamp - fuel line
13	158956	Washer - 1/4 special	83	053037	Cable - blade drive control
14	450858	Screw - taptite 1/4-20 x 3/4			Includes 13, 74, 89, 92 & 123
15	013763	Support - dash	84	098848	Lever - blade drive control
16	013771	Brace - dash	85	615625	Nut - hex jam 1/2-13
17	013789	Brace - dash & fuel tank	86	112664	Knob - lever
18	114769	Pad - foot, L.H. platform	87	097253	Clip - lever retaining
	114751	Pad - foot, R.H. platform (not shown)	88	097527	Clamp - center spring
19	018036	Fender - rear wheels	89	092429	Pulley - cable
20	152108	Bolt - hex 5/16-18 x 1	90	096305	Retainer - cable
21	310151	Nut - hex 5/16-18 nylok	91	157446	Bolt - shoulder 1/4-20 x 1-3/8
22	158469	Washer - flat	92	452615	Nut - hex 1/4-20 nylok
23	013797	Brace - fender L.H.	93	093815	Pedal - clutch/brake w/brake lever
24	157610	Nut - hex 5/16-18 flanged	94	100008	Spring - pedal return
25	114850	Reflector - fender, red	95	112235	Pad - pedal
26	112318	Strip - fender trim	96	087668	Shaft - pedal
27	115459	Seat	97	158873	Washer - flat 1/2
28	450346	Bolt - hex 5/16-18 x 3/4	98	381822	Bushing - nylon w/shoulder
29	715185	Washer - flat 5/16	99	022665	Lever - height adjusting
30	311118	Washer - lock 5/16	100	172403	Rod - lever
31	013888	Plate - seat mount	101	097295	Spring - lever
32	157503	Bolt - hex shoulder, 5/16-18 x 5/32	102	112672	Knob - adjusting lever
33	013037	Bracket - seat plate	103	112680	Grip - lever
34	450437	Bolt - hex 5/16-18 x 5/8	104	014134	Bracket - adjusting lever
35	135301	Spring - seat, short	105	715243	Rivet - pop
36	135830	Spring - seat, long	106	113316	Indicator - height of cut
37	097386	Clamp - seat spring	107	158527	Screw 8-32 x 3/8
38	112417	Cover - seat spring	108	113290	Cover - height adjust lever
39	114959	Hood - upper	109	158840	Screw - taptite 10-24 x 3/4
40	158832	Screw - taptite 10-24 x 1/2	110	008425	Decal - cover
41	098343	Support - hood	111	098459	Quadrant - height adjust
42	159400	Screw #10-24 x 1	112	098467	Pawl - height adjust
43	099440	Spacer - hanger L.H.	113	158675	Bolt - shoulder 5/16-18 x 5/8
44	112565	Lens - headlights	114	052563	Cable - deck lifting
45	158865	Screw - taptite 6 x 1/2	115	097337	Pin - clevis
46	113738	Fastener - foot pad	116	158857	E Ring
47	797696	Reflector - headlight R.H.	117	159137	Clevis - lift cable
48	797704	Reflector - headlight L.H.	118	157966	Nut - square 1/4-20
49	799782	Decal - hood side L.H.	119	157263	Pin - clevis
50	799781	Decal - hood side R.H.	120	715029	Pin - cotter 3/32 x 3/4
51	799814	Logo - plastic 15-43	121	715136	Washer - flat #10
52	113183	Hood - lower	122	097352	Retainer - cable
53	115139	Latch - hood	123	158683	Bolt - shoulder 1/4-20 x 1
54	115147	Keeper - hood latch	124	097279	Clevis - pulley, fender
55	158824	Screw - taptite 1/4-10 x 3/4	125	097287	Pin - clevis
56	449925	Screw - phil head #8-32 x 3/8	126	715011	Hairpin cotter
57	093989	Bracket - lower hood R.H.	127	159343	Washer - flat 1/2
58	093997	Bracket - lower hood L.H.	128	158923	Nut - square 5/16-18
59	162057	Bolt - shoulder 5/16-18	129	014142	Washer - formed
60	114025	Tank - fuel, 3 gal	130	013813	Bracket - hanger
61	115473	Cap - fuel tank	131	313502	Bolt - rd head 5/16-18 x 1
62	015305	Bracket - fuel tank	132	019976	Link - suspension R.H.
63	673152	Hose - fuel line	133	158691	Nut - eccentric, deck leveling
64	303859	Clamp - fuel line	134	022418	Suspension Assembly - lift
65	432625	Filter - fuel	135	156075	Washer - flat 1/2
66	052506	Control - throttle w/cable	136	159228	Screw - tapping 5/16-18 x 3/4
67	158451	Screw - pan hd. 10-24 x 5/8	137	006593	Decal - monitor lights
68	452318	Nut - hex 10-24 nylok	138	798843	Decal - dash L.H.
69	112730	Knob - throttle lever	139	317016	Pin - cotter
70	159335	Screw - pan head 8-32 x 3/8	--	392043	Kit-hitch extension
			--	115303	Cover - vinyl (optional)

S/N 237584
P/L 082673
O/M 082736
E/M 082747

MODEL 540M
15 hp 43" Cut Riding Mower
Uses Grass Catcher Model 43/46



S/N 237584
P/L 082673
O/M 082736
E/M 082747

MODEL 540M
15 hp 43" Cut Riding Mower
Uses Grass Catcher Model 43/46

CHASSIS GROUP

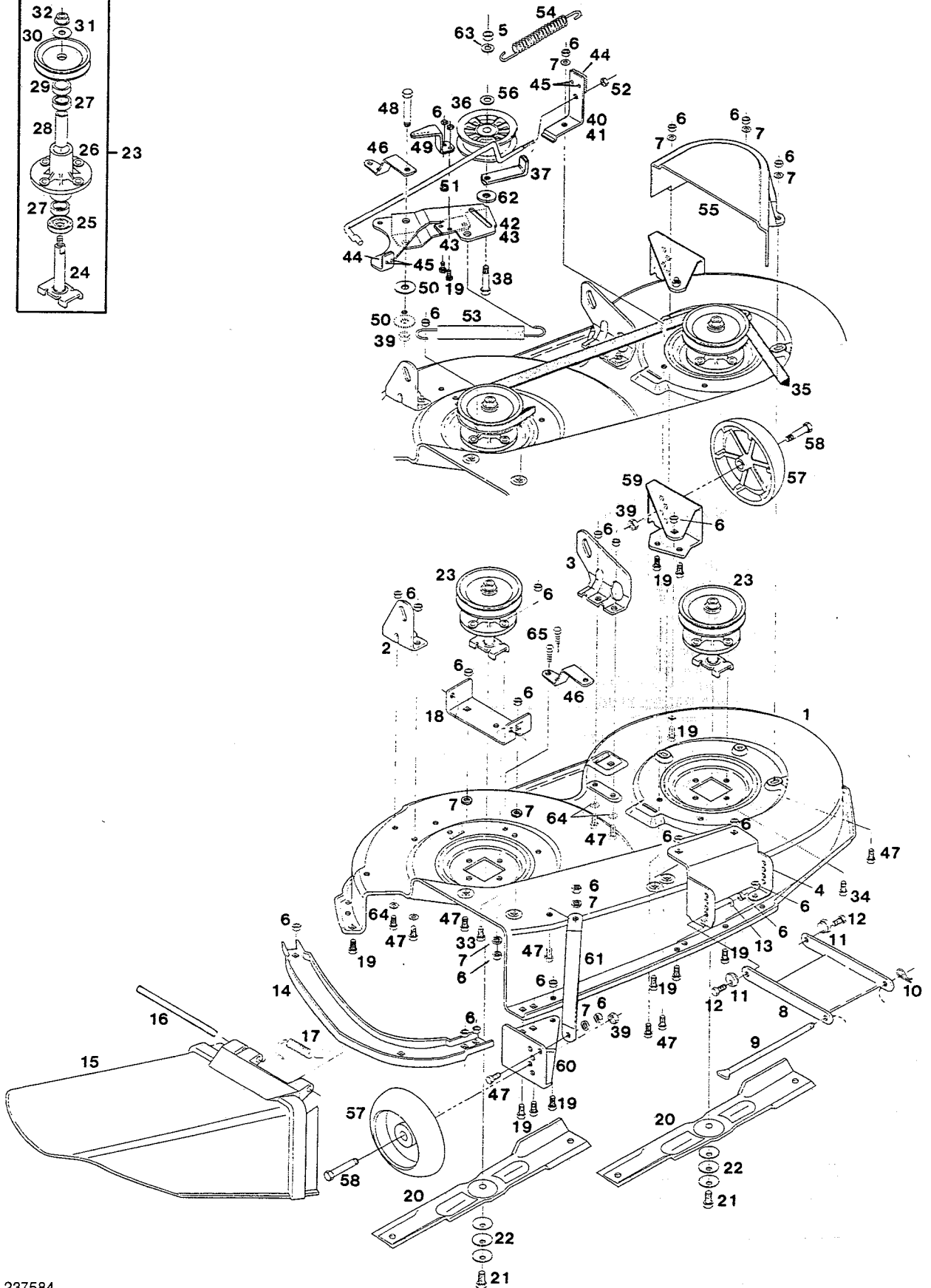
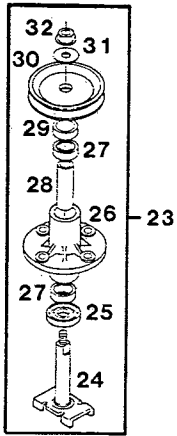
Index No.	Part No.	Description	Index No.	Part No.	Description
1	023341	Frame - main	64	092676	Muffler - exhaust
2	016907	Axle - front	65	017897	Bracket - muffler
3	018895	Spindle - steering R.H	66	134692	Gasket - muffler
4	018903	Spindle - steering L.H	67	*	Engine - 15 HP
5	134999	Bearing - spindle	68	**	Transaxle - Foote Model 4360-62
6	316513	Ring - retainer	69	450346	Bolt - hex 5/16-18 x 3/4
--	095877	Tie Rod Assembly - includes 7, 13 & 14	70	088013	Pulley - engine, double
7	098442	Rod - tie, steering	71	158279	Key - pulley
9	451195	Nut - hex 3/8-16 nylok	72	162354	Spacer - pulley, top
10	112664	Knob-shift lever	73	158253	Washer - pilot
	089540	Drag Link Assembly (includes 11, 12, 13 and 14)	74	158964	Bolt - hex 7/16-20 x 5
11	089425	Link - drag, steering	75	311068	Washer-lock 7/16
12	135244	Joint - ball, sector end	76	138420	Belt - drive
13	135038	Joint - ball, axle end	77	109645	Pulley - idler
14	158105	Nut - hex 3/8-24	78	158444	Bolt - carriage 3/8-16 x 2
15	150185	Washer - lock 3/8	79	095786	Bracket - brake rod
16	615633	Nut - hex 3/8-24	80	015198	Retainer - belt
17	043195	Wheel - front, w/tire & rim	81	015875	Arm - idler
18	043204	Rim - front tire	82	159129	Bolt - shoulder 5/16-18 x 11/16
19	094908	Bearing - wheel	83	158212	Washer - flat
20	136291	Stem - valve	84	095794	Rod - clutch
21	042895	Tire - front 15 x 6.00 tubeless	85	135228	Spring - clutch
22	157941	Bolt - hex 5/16-18 x 7/8	86	096198	Guide - belt, rear
23	158063	Washer - flat 3/4	87	097261	Guide - belt
24	112805	Trough - engine oil drain	88	152108	Bolt - hex 5/16-18 x 1
25	112409	Cap - hub	89	157503	Bolt - shoulder 5/16-18 x 1/2
26	112771	Wheel - steering	90	097790	Guide - belt
27	159434	Pin - roll 1/4 x 2	91	087791	Rod - stop, mower deck
28	095844	Shaft - steering	92	159145	Nut - hex jam 5/16-18
29	159376	Washer - flat special	93	097808	Guide - belt
30	158162	Washer - flat 3/4	94	138925	Switch - clutch interlock
31	109801	Pinion - steering	95	157933	Screw - pan head #12
32	158766	Pin - dowel 1/4 x 1-3/4	96	086165	Rod - brake
33	136275	Bushing - steering pinion	97	150136	Nut - hex keps 5/16-18
34	109850	Sector - steering	98	451500	Nut - hex keps 3/8-16
35	134742	Eccentric - steering adjust	99	162420	Nut - hex 3/8 - 24 flange
36	158147	Bolt - hex 1/2-13 x 1-1/2	100	113381	Sleeve - split, belt guide
37	382473	Nut - hex 1/2-13 nylok	101	391748	Sleeve w/grease fitting (order 391755 kit)
38	158170	Washer - flat	102	158725	Spacer - rear wheel
39	158154	Bolt - hex 5/16-18 x 2-3/4	103	179424	Bracket - shift lever
40	310151	Nut - hex 5/16-18 nylok	104	159004	Bolt - hex 1/4-20 x 3/4
41	715185	Washer - flat 5/16	105	452615	Nut - hex 1/4-20 nylok
42	018226	Brace - transaxle	106	179838	Lever - gear shift - lower
43	159228	Bolt - hex tap 5/16-18 x 3/4	107	179119	Clip - retainer, lower lever
44	311118	Washer - lock 5/16	108	450437	Bolt - hex 5/16-18 x 5/8
45	099218	Pulley - transaxle	109	087866	Link - shift
46	615534	Key - Woodruff #9	110	381020	Bolt - shoulder 1/4-20 x 1-1/4
47	170035	Ring - retainer	111	615690	Washer - flat 1/4
48	089201	Lever - gear shift, upper	112	457176	Bolt - hex 3/8-16 x 1-1/4
49	317016	Pin - cotter	113	715417	Washer - flat 3/8
50	179044	Arm - shift	114	179408	Spring - torsion, shift lever
51	157982	Bolt - hex 1/4-28 x 3/4	115	094003	Pipe - exhaust
52	157792	Washer - flat, special	116	086017	Deflector - exhaust
53	043199	Wheel - rear w/tire & rim	117	158527	Screw - taptite #8-32 x 3/8
54	043206	Rim - rear tire	118	095285	Pulley - engine, double w/key
55	043205	Tire - rear 20 x 8.00 tubeless	119	023673	Shield - heat
56	158188	Washer - flat	120	158907	Bolt - carriage 5/16-18 x 5/8
57	615625	Nut - hex jam 1/2-13	121	159483	Screw - hex tap 5/16-18 x 1/2
58	446617	Key - rear wheel	122	616342	Nut - hex 5/16-18 center lock
59	715144	Washer - flat 3/4	123	158097	Bolt - hex tap 1/4-20 x 5/8
60	158014	Bolt - hex tap 3/8-16 x 1-1/4	124	178681	Bracket - heat shield
61	153551	Washer - lock 3/8 ext tooth	--	042077	Tube - front tire (optional)
62	159269	Clamp - throttle cable	--	042093	Tube - rear tire (optional)
63	159277	Screw - cable clamp	--	393736	Sealant - tire 16 oz. bottle
			--	393744	Sealant - tire 32 oz. bottle

*Contact Engine Manufacturer's authorized service dealer for parts and warranty

**Contact Foote authorized service dealer or distributor for parts and warranty

S/N 237584
P/L 082673
O/M 082736
E/M 082747

MODEL 540M
15 hp 43" Cut Riding Mower
Uses Grass Catcher Model 43/46



S/N 237584
P/L 082673
O/M 082736
E/M 082747

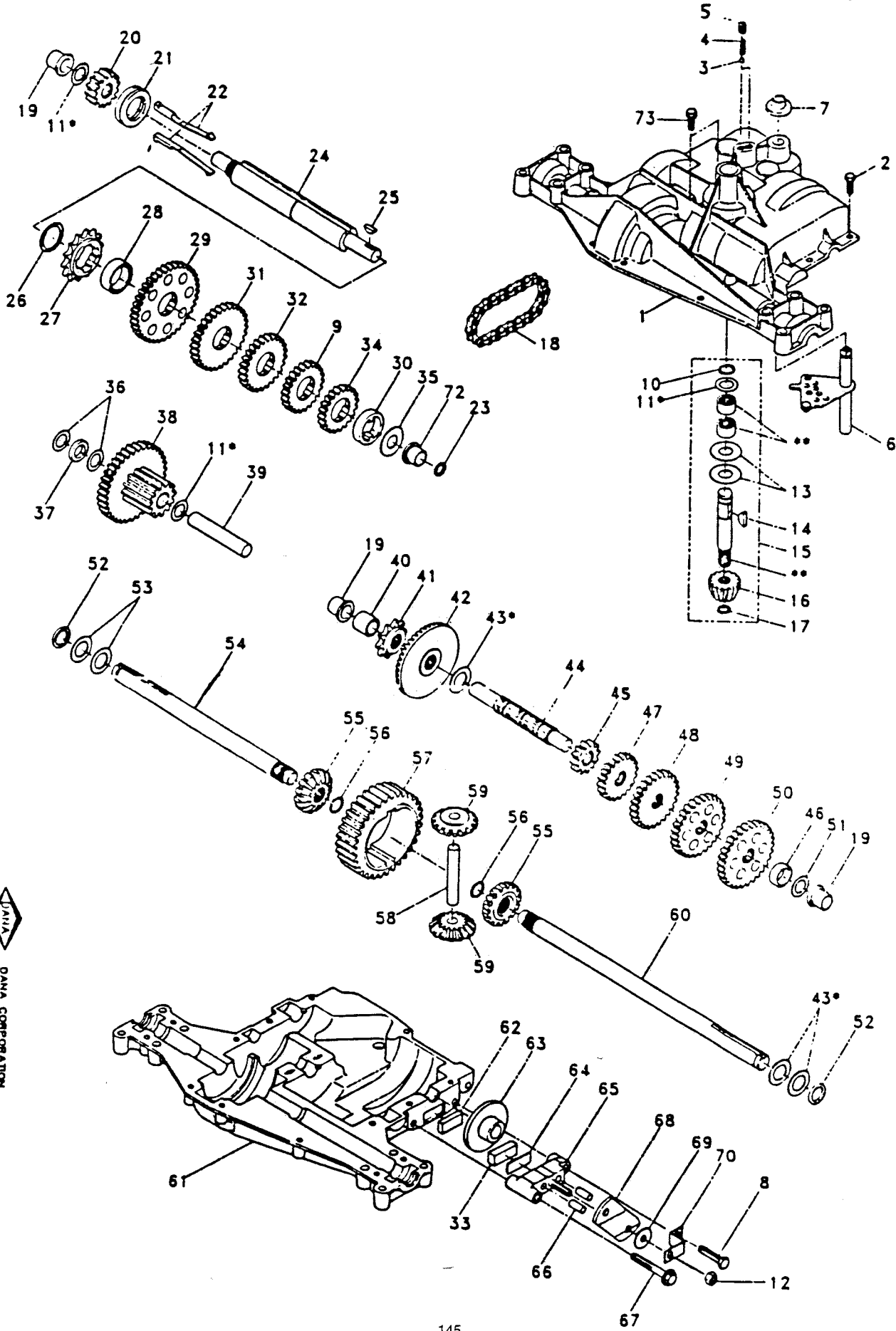
MODEL 540M
15 hp 43" Cut Riding Mower
Uses Grass Catcher Model 43/46

43" MOWER DECK AND DRIVE

Index No.	Part No.	Description	Index No.	Part No.	Description
1	022012	Deck - mower 43"	35	138487	Belt - blade drive
2	014498	Bracket - deck lift R.H.	36	098004	Pulley - idler
3	014506	Bracket - deck lift L.H.	37	098012	Retainer - belt
4	019489	Bracket - deck drawbar	38	158444	Bolt - carriage 3/8-16 x 2
5	715391	Nut - hex 3/8-16 flange	39	451195	Nut - hex 3/8-16 nylok
6	310151	Nut - hex 5/16-18 nylok	40	086660	Arm - blade brake w/brake pad (includes 41, 44 & 45)
7	715185	Washer - flat 5/16	41	086678	Arm - blade brake w/o brake pad
8	014431	Drawbar - deck	42	089680	Arm - idler w/brake pad (includes 43, 44 & 45)
9	097469	Pin - drawbar	43	022608	Arm - idler w/o brake pad
10	715011	Hairpin - cotter	44	135046	Pad - brake
11	158691	Nut - eccentric, deck leveling	45	159152	Rivet - brake pad 3/16 x 1/2
12	156968	Bolt - hex 5/16-18 x 1-1/4	46	023242	Bracket - idler arm
13	159194	Washer - flat 5/16 special	47	450346	Bolt - hex 5/16-18 x 3/4
14	019521	Guard - toe	48	381616	Bolt - shoulder 3/8-16 x 2-3/4
15	114074	Deflector - discharge opening	49	023283	Bracket - extension
16	086595	Pin - deflector hinge	50	158337	Washer - flat 3/8
17	086322	Spring - deflector	51	086694	Rod - brake release
18	019513	Bracket - deflector	52	452615	Nut - hex 1/4-20 nylok
19	450437	Bolt - hex 5/16-18 x 5/8	53	109637	Spring - brake engaging
20	019471	Blade - hi lift 21-3/4	54	086710	Spring - clutch engaging
--	022079	Blade - no lift (optional)	55	115188	Guard - belt pulley LH
21	158543	Bolt - hex nylock 3/8-24 x 1	56	337584	Washer - flat
22	158055	Washer - conical lock	57	042226	Wheel - deck 6"
23	094920	Spindle Assembly - blade (includes 24-32)	58	157495	Bolt - shoulder 3/8-16 x 2-3/8
24	098160	Shaft - blade w/saddle	59	019455	Bracket - deck wheel, rear
25	134981	Shield - dust	60	022525	Bracket - deck wheel, front
26	138685	Housing - spindle w/o bearings	61	019539	Brace - wheel bracket
27	137760	Bearing - shaft	62	159954	Washer - flat 3/8
28	095398	Spacer - bearings	63	150185	Washer - split lock 3/8
29	159319	Spacer - drive pulley	64	164467	Washer - flat 5/16
30	098152	Pulley - drive	65	617019	Bolt - hex 5/16-18 x 7/8
31	157396	Washer - pulley retainer	-	143115	Decal - DANGER
32	159301	Nut - hex lock 7/16-20	-	396036	Deck assembly - complete
--	164673	Fitting - grease, spindle	-	396374	Kit - mulch plate/blades
33	159202	Bolt - hex tap 5/16-18 x 1-3/8			
34	159830	Bolt - hex tap 5/16-18 x 7/8			

S/N 237584
P/L 082673
O/M 082736
E/M 082747

MODEL 410M, 440M & 540M




 DANA CORPORATION
 FREDERICKTOWN, OHIO
 4360-62
 GENERAL POWER EQUIPMENT CO. 175027

DANA CORPORATION
SERVICE PARTS REPLACEMENT LISTING

MODEL NO.: 4360-62

DATE: 9-8-92

DESCRIPTION: FIVE SPEED LINEAR SHIFT TRANSAXLECUSTOMER & PART NO.: GENERAL POWER EQUIPMENT CO. GPE P/N 175042

KEY NO.	DANA PART NO.	GENERAL POWER PART NO.	NO. REQ'D.	DESCRIPTION
1	5305		1	Housing, Upper
2	1919		14	Screw, Tapping, 1/4-20 X .734 Lg.
3	5112		2	Ball, Detent
4	3626		2	Spring, Detent
5	3623		2	Screw, Set
6	4731		1	Ass'y., Kit, Shifter
7	5024		1	Boot, Shifter
8	3724		1	Screw, Tapping, 5/16-18 X 1.44 Lg.
9	3869		1	Gear, Spur, 22T.
10	1099		1	Ring, Retaining
11	4689		3*	Ass'y., Kit, Shim, .625 Shaft
12	3847		1	Nut, Lock, 5/16-24
13	3876		2	Washer, Plain, .632 X 1.38 X .046
14	1374		1	Key, Woodruff, #9
15	4551		1	Ass'y., Kit, Input Shaft
16	3590		1	Pinion, Bevel, 14T.
17	3624		1	Ring, Retaining
18	1090		1	Chain, 22 Pitches
19	1542		3	Bearing, Flange
20	5280		1	Gear, Spur, 14T.
21	5303		1	Collar, Clutch
22	4758		1	Ass'y., Kit, Clutch Keys
23	5279		1	Square-Ring
24	5281		1	Shaft, Intermediate
25	1375		1	Key, Woodruff, #61
26	3627		1	Ring, Retaining
27	3897		1	Sprocket, Special, 14T.
28	3841		1	Spacer
29	3786		1	Gear, Spur, 37T.
30	5027		1	Spacer, 1.133 X 1.50 X .374
31	3867		1	Gear, Spur, 30T.
32	3783		1	Gear, Spur, 25T.
33	3907		1	Puck, Friction
34	3817		1	Gear, Spur, 20T.
35	3628		1	Washer, Plain, .640 X 1.37 X .061
36	1423		2	Washer, Plain, .632 X 1.00 X .026
37	3422		1	Spacer, .630 X 1.00 X .169
38	4286		1	Ass'y., Gear, Comb., 12T. & 35T.
39	3967		1	Shaft, Idler

NOTE: Transaxles & transaxle parts are to be ordered from Foote/Dana's Central Parts/Service Distributors. See p. 154.

Model #4360-62
Page 2

KEY NO.	DANA PART NO.	GENERAL POWER PART NO.	NO. REQ'D.	DESCRIPTION
40	3901		1	Spacer, .635 X .875 X .755
41	3815		1	Sprocket, 10T.
42	3853		1	Gear, Bevel, 42T.
43	4691		2*	Ass'y., Kit, Shim, .750 Shaft
44	3882		1	Shaft, Drive
45	3646		1	Gear, Spur, 12T.
46	3714		1	Spacer, .781 X 1.00 X .375
47	3866		1	Gear, Spur, 20T.
48	3719		1	Gear, Spur, 25T.
49	3868		1	Gear, Spur, 28T.
50	3818		1	Gear, Spur, 30T.
51	1145		1	Washer, Plain, .632 X 1.00 X .060
52	5130		2	Washer, Neoprene
53	3184		2	Washer, Plain, .758 X 1.25 X .031
54	3895		1	Axle, L.H.
55	3780		2	Gear, Miter, 15T.
56	3656		2	Ring, Retaining
57	3839		1	Gear, Spur, 32T.
58	3919		1	Shaft, Cross
59	3781		2	Gear, Miter, 15T.
60	3896		1	Axle, R.H.
61	5304-A		1	Housing, Lower
62	3920		1	Puck, Friction
63	3276		1	Disc, Brake
64	3758		1	Spacer
65	3916		1	Jaw, Brake
66	3843		2	Pin, Dowel
67	5120		1	Screw, Tapping, 5/16-18 X 2.25 Lg.
68	5284		1	Lever, Actuating
69	3760		1	Washer, Plain, .321 X 1.00 X .055
70	3917		1	Bracket, Anti-Rotation
71	4300		1	Grease
72	5278		1	Bearing, Flange
73	5131		2	Screw, Tapping, w/Sealer

* Use in various combinations to maintain proper clearances.

** Order Key No. 15.

NOTE: Transaxles & transaxle parts are to be ordered from Foote/Dana's Central Parts/Service Distributors. See p. 154.