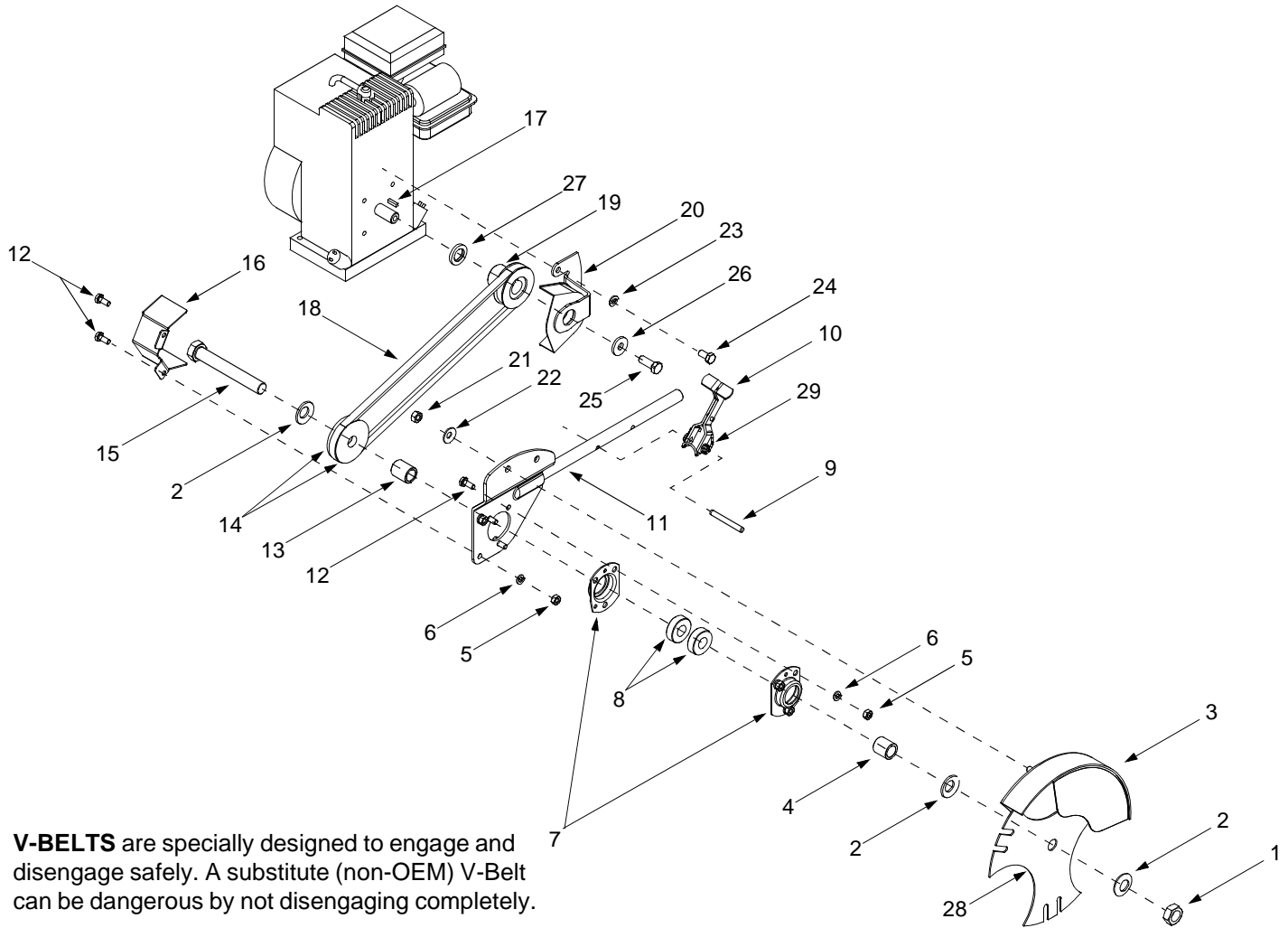
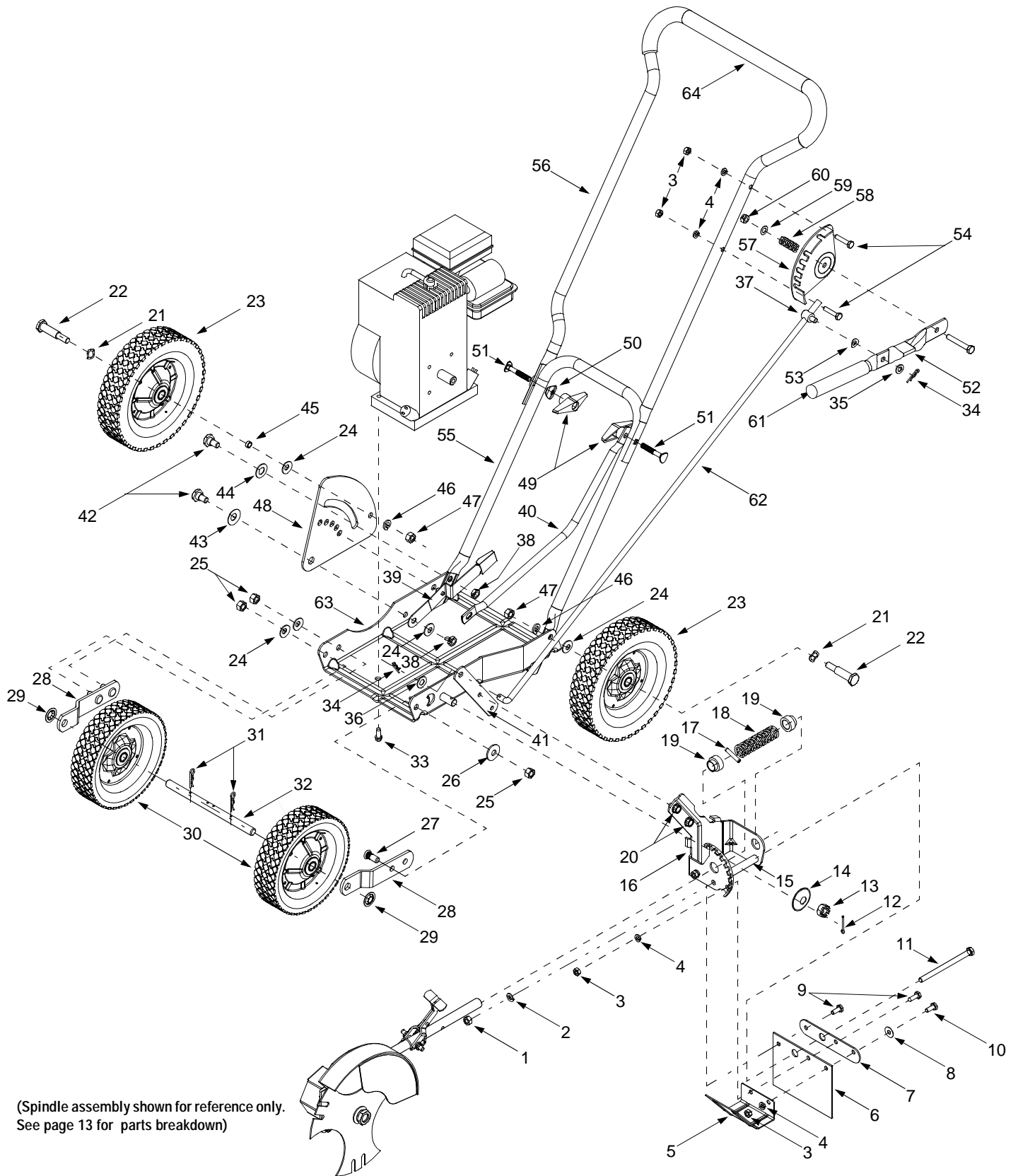


# Model 592



Ref. No.	Part No.	Description	Ref. No.	Part No.	Description
1.	712-0413	Hex Jam Nut, 5/8-18	16.	781-0086	Spindle Belt Guard
2.	736-0317	Bell Washer, .64 x 1.25 x .18	17.	714-0122	Square Key, 3/16 x .75
3.	781-0076	Blade Guard	18.	754-0142	V-belt, 3/8
4.	750-0118	Sleeve, .632 x .875 x .90	19.	756-0327B	Engine Pulley, 3/8 x .75 x 2.38
5.	712-0287	Hex Nut, 1/4-20	20.	687-0100	Engine Pulley Belt Guard
6.	736-0329	Lock Washer, 1/4	21.	712-0267	Hex Nut, 5/16-18
7.	05034A	Bearing Housing	22.	736-0242	Belleville Washer, .340 x .872
8.	741-0155	Ball Bearing, .62 x 1.38 x .44	23.	736-0119	Lock Washer, 5/16
9.	715-0121	Spirol Pin, 1/4 x 2.0	24.	710-0237	Hex Cap Screw, 5/16-24 x .625
10.	781-0093	Adjustment Lever Assembly	25.	710-0152	Hex Cap Screw, 3/8-24 x 1.0
11.	781-0078	Spindle Plate/Shaft Assembly	26.	736-0258	Flat Washer, .385 x 1.0 x .135
12.	710-0751	Hex Cap Screw, 1/4-20 x .62	27.	748-0160	Spacer, .753 x 1.25 x .175
13.	750-0229	Spacer, .635 x .88 x 1.03	28.	781-0748	Triplex Edger Blade, 9.0
14.	756-0449	Sheave, .6255 x .6295	29.	732-0188A	Double-torsion Spring
15.	710-0929	Hex Cap Screw, 5/8-18 x 4.5			

# Model 592



(Spindle assembly shown for reference only.  
See page 13 for parts breakdown)

# Model 592

Ref. No.	Part No.	Description	Ref. No.	Part No.	Description
1.	712-0267	Hex Nut, 5/16-18	33.	710-0654A	Self-tapping Screw, 3/8-16 x 1.0
2.	736-0119	Lock Washer, 5/16	34.	714-0104	Internal Cotter Pin, .072 x 1.0
3.	712-0287	Hex Nut, 1/4-20	35.	736-0264	Flat Washer, .330 x .630 x .0635
4.	736-0329	Lock Washer, 1/4	36.	736-3050	Flat Washer, .406 x .810 x .051
5.	781-0095	Debris Deflector	37.	711-0392	Adjustment Ferrule
6.	731-0725	Debris Guard	38.	712-0266	Center Lock Nut, 3/8-24
7.	781-0087	Flap Bracket, 1.12 x 5.5	39.	732-0552	Curb Adjustment Lever Assembly
8.	736-0342	Flat Washer, .283 x .75 x .030	40.	749-0941	Support Strut, 15.91
9.	710-0252	Hex Screw w/ Nose, 1/4-20 x .85	41.	781-0075	Spindle Extension Arm
10.	710-0751	Hex Screw, 1/4-20 x .62	42.	738-0258	Shoulder Screw, .498 x .250
11.	710-0402	Hex Screw, 5/16-18 x 4.5	43.	736-0255	Bell Washer, .51 x 1.14 x .040
12.	714-0115	Cotter Pin, 1/8 x 1.0	44.	736-0272	Flat Washer, .51 x 1.0 x .060
13.	712-0114	Slotted Hex Nut, 1/2-20	45.	750-0535	Spacer, .376 x .625 x .22
14.	736-0112	Sphere Washer, .531 x 1.6 x .045	46.	736-0169	Lock Washer, 3/8
15.	711-0386	Spacer, .38 x .50 x 3.75	47.	712-0798	Hex Nut, 3/8-16
16.	781-0090	Spindle Pivot Bracket Assembly	48.	781-0100	Curb Height Adjustment Plate
17.	715-0143	Spirol Pin, 1/4 x 1.25	49.	720-0241	Wing Knob Assembly
18.	732-0187	Compression Spring	50.	736-0451	Saddle Washer, .320 x .93
19.	711-0379	Shoulder Spacer, .635 x .620	51.	710-1174	Carriage Bolt, 5/16-18 x .75
20.	710-0607	Self-tapping Screw, 5/16-18 x .50	52.	749-0666	Blade Clutch/Depth Control Lever
21.	736-0504	Wave Washer, .510 x .75 x .017	53.	736-0271	Spring Washer, .317 x .625 x .099
22.	738-0108	Shoulder Screw, .498 x 1.45	54.	710-3103	Hex Cap Screw, 5/16-18 x 2.0
23.	734-1268	Wheel w/ Ball Bearing, 8 x 1.75	55.	749-0937	Lower Handle
24.	736-0105	Spring Washer, .401 x .871 x .063	56.	749-0936A	Upper Handle (Loop Style)
25.	712-0241	Hex Nut, 3/8-24	57.	781-0081	Depth Adjustment Bracket
26.	736-0452	Bell Washer, .396 x 1.14 x .095	58.	732-0369	Compression Spring, .55 x 1.37
27.	710-0793	Rd Hd Bolt 3/8-24 x .89	59.	736-0204	Flat Washer, .344 x .62 x .030
28.	781-1069	Front Axle Arm	60.	712-0158	Hex Lock Nut, 5/16-18
29.	726-0221	Cap Speed Nut, 1/2	61.	720-0283	Foam Grip (Blade Clutch Lever)
30.	734-1264	Wheel w/ Ball Bearing, 7 x 1.75	62.	747-1164	Clutch Rod, 3/8 x 33.5
31.	714-0101	Internal Cotter Pin, .08 x 1.42	63.	681-0044	Edger Base
32.	738-1176	Front Axle, .50 x 7.98	64.	720-0297	Foam Grip (Upper Handle), 20