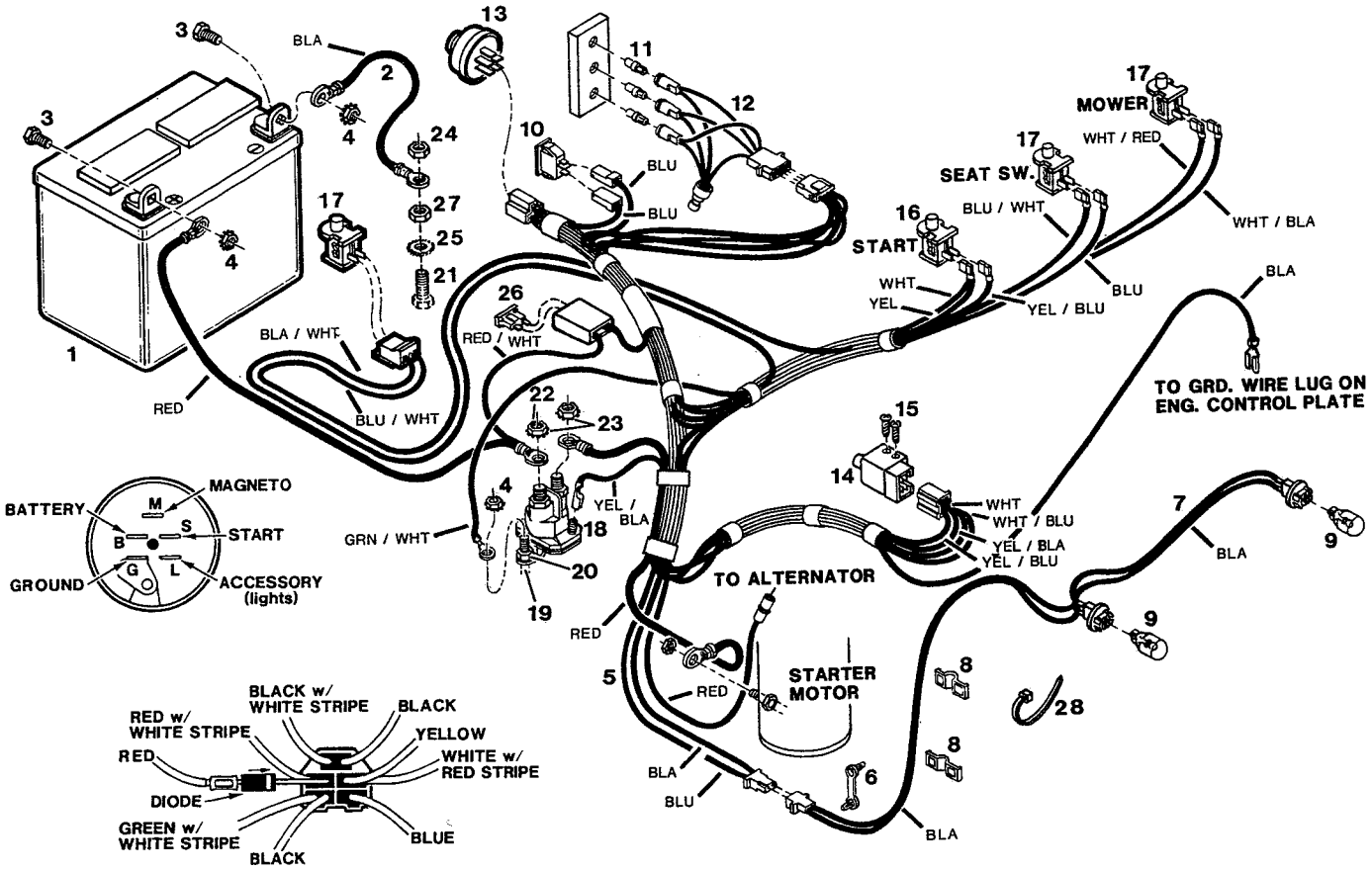


MODEL 600G
 14 HP 45" Cut Lawn Tractor
 Grass Catcher Model 39/45
 P/N 228759 (see page 106)

ELECTRICAL SYSTEM

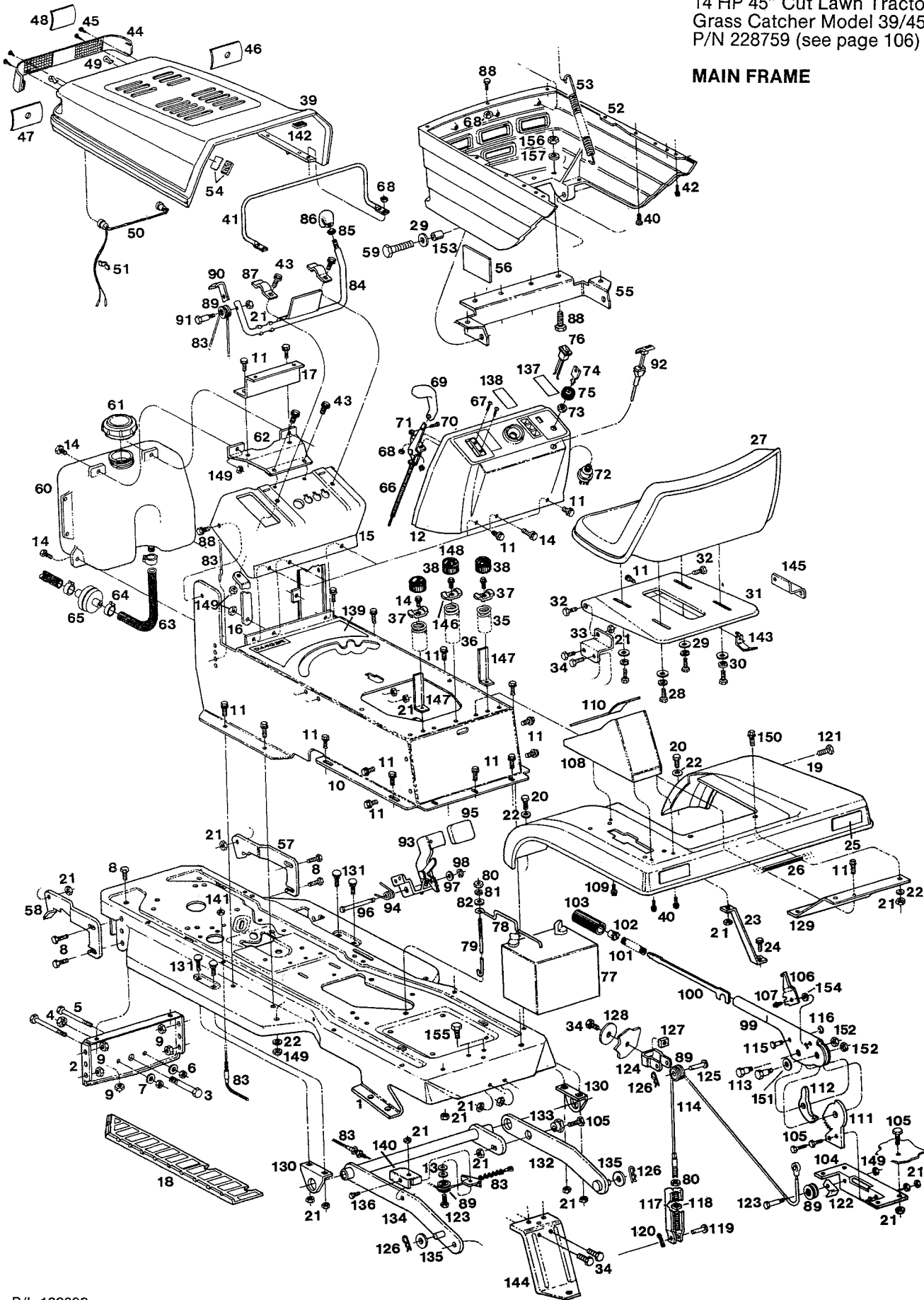


| Index No. | Part No. | Description | Index No. | Part No. | Description |
|-----------|----------|------------------------------|-----------|----------|---------------------------|
| 1 | 134726 | Battery - 12 volt | 15 | 157933 | Screw - pan head #12 |
| 2 | 134908 | Wire - battery ground, black | 16 | 135822 | Switch - no start |
| 3 | 153171 | Bolt - hex 1/4-20 x 5/8 | 17 | 134833 | Switch - system interlock |
| 4 | 715037 | Nut - hex 1/4-20 keps | 18 | 134940 | Solenoid - starter |
| 5 | 134809 | Harness - wiring | 19 | 158121 | Nut - hex 1/4-20 x 3/4 |
| 6 | 112326 | Retainer - harness | 20 | 152967 | Nut - hex 1/4-20 |
| 7 | 135103 | Harness - headlights | 21 | 152108 | Bolt - hex 5/16-18 x 1 |
| 8 | 134676 | Retainer - harness, press-on | 22 | 157974 | Nut - hex 5/16-24 |
| 9 | 135533 | Bulb - headlights | 23 | 156430 | Washer - lock ext tooth |
| 10 | 135814 | Switch - headlights | 24 | 150136 | Nut - hex 5/16-18 keps |
| 11 | 136051 | Bulb - monitor indicator | 25 | 153510 | Washer - lock |
| 12 | 136192 | Harness - indicator lights | 26 | * | Fuse - 15 amp |
| 13 | 135798 | Switch - ignition | 27 | 715177 | Nut - hex 5/16-18 |
| 14 | 134825 | Switch - clutch interlock | 28 | 110379 | Tie-cable |

*purchase locally

MODEL 600G
14 HP 45" Cut Lawn Tractor
Grass Catcher Model 39/45
P/N 228759 (see page 106)

MAIN FRAME



MODEL 600G
 14 HP 45" Cut Lawn Tractor
 Grass Catcher Model 39/45
 P/N 228759 (see page 106)

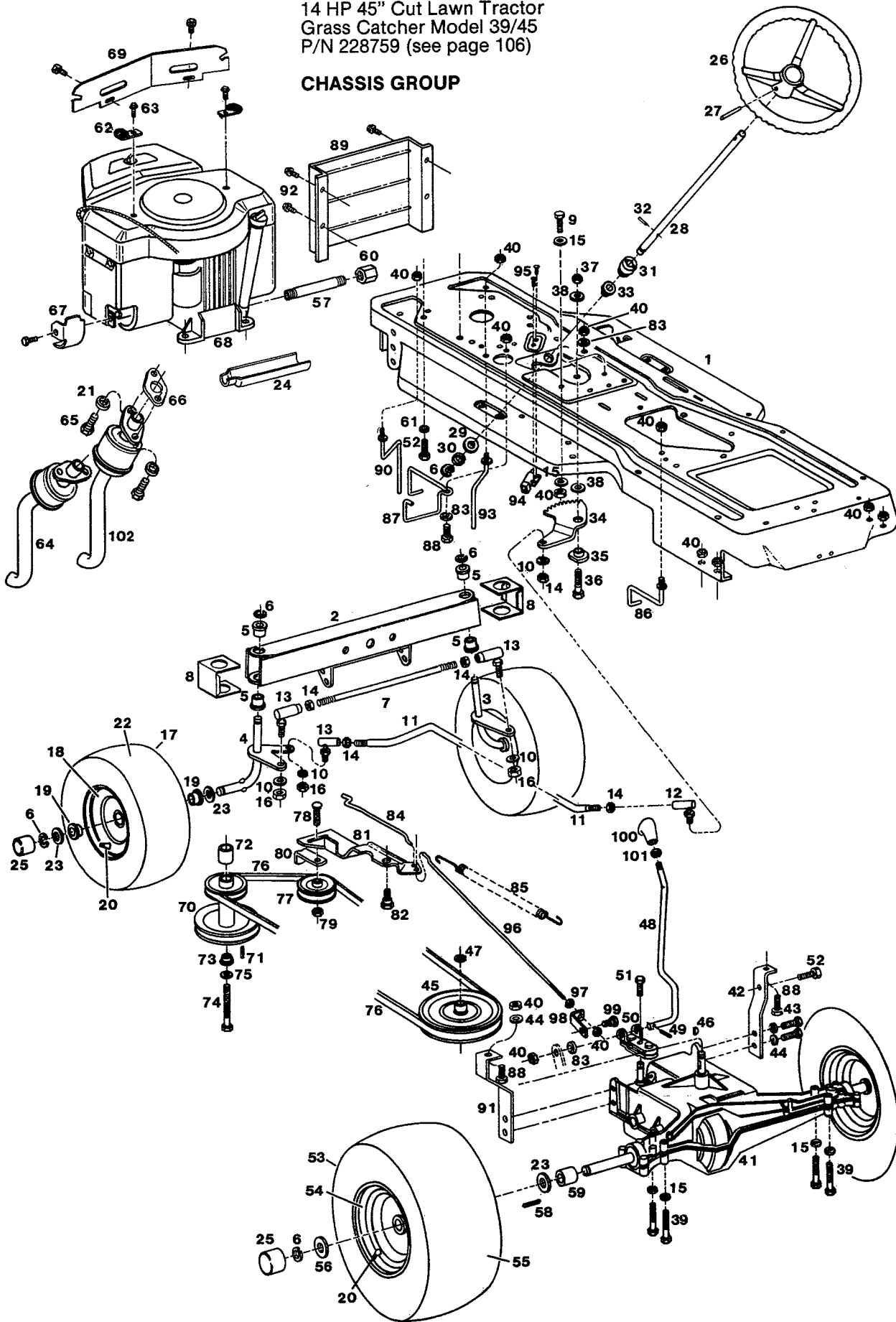
MAIN FRAME

| Index No. | Part No. | Description | Index No. | Part No. | Description |
|-----------|----------|---------------------------------------|-----------|----------|------------------------------------|
| 1 | 013136 | Frame - main | 79 | 096115 | Rod - battery hold-down |
| 2 | 095075 | Bracket - front axle | 80 | 310052 | Nut - hex 1/4-20 |
| 3 | 157453 | Bolt - hex shoulder 1/2-13 x 1-13/16 | 81 | 715094 | Washer - lock 1/4 |
| 4 | 157537 | Nut - hex 1/2-13 | 82 | 460923 | Washer - flat |
| 5 | 151266 | Bolt - hex 3/8-16 x 3 | 83 | 051763 | Cable - mower drive control |
| 6 | 310011 | Nut - hex 3/8-16 | 84 | 098244 | Lever - mower drive control |
| 7 | 158055 | Washer - conical | 85 | 158949 | Nut - hex jam 1/2-13 |
| 8 | 157636 | Bolt - hex 5/16-18 x 3/4 | 86 | 112664 | Knob - lever |
| 9 | 157628 | Nut - hex lock 5/16-18 | 87 | 097253 | Clip - lever retaining |
| 10 | 014795 | Console - chassis | 88 | 151522 | Screw - hex 10-24 x 3/4 |
| 11 | 158089 | Screw - taptite 1/4-20 x 1/2 | 89 | 112177 | Pulley - cable |
| 12 | 112714 | Dash - plastic | 90 | 096305 | Retainer - cable |
| 13 | 158956 | Washer - 1/4 special | 91 | 157446 | Bolt - shoulder 1/4-20 x 1-3/8 |
| 14 | 450858 | Bolt - hex 1/4-20 x 3/4 | 92 | 051375 | Control - choke w/cable |
| 15 | 013763 | Support - dash | 93 | 014100 | Pedal - clutch/brake w/brake lever |
| 16 | 013771 | Brace - dash | 94 | 100008 | Spring - pedal return |
| 17 | 013789 | Brace - dash & fuel tank | 95 | 112235 | Pad - pedal |
| 18 | 113050 | Pad - foot, L.H. platform | 96 | 095000 | Shaft - pedal |
| | 113043 | Pad - foot, R.H. platform (not shown) | 97 | 158873 | Washer - flat 1/2 |
| 19 | 013110 | Fender - rear wheels | 98 | 316521 | Ring - retaining |
| 20 | 156455 | Bolt - hex 1/4-20 x 1 | 99 | 013748 | Lever - height adjusting |
| 21 | 715177 | Nut - hex 5/16-18 | 100 | 097303 | Rod - lever |
| 22 | 158113 | Washer - flat | 101 | 097295 | Spring - lever |
| 23 | 014357 | Brace - fender L.H. | 102 | 112672 | Knob - adjusting lever |
| 24 | 152108 | Bolt - hex 5/16-18 x 1 | 103 | 112680 | Grip - lever |
| 25 | 112755 | Reflector - fender, red | 104 | 014134 | Bracket - adjusting lever |
| 26 | 112318 | Strip - fender trim | 105 | 158998 | Bolt - hex 5/16-18 x 3/4 |
| 27 | 135186 | Seat | 106 | 097949 | Pointer - height of cut |
| 28 | 158485 | Bolt - hex 5/16-18 x 3/4 | 107 | 158527 | Screw 8-32 x 3/8 |
| 29 | 715185 | Washer - flat 5/16 | 108 | 112706 | Cover - height adjust lever |
| 30 | 311118 | Washer - lock 5/16 | 109 | 159418 | Screw - 10-24 x 1 |
| 31 | 013011 | Plate - seat mount | 110 | 006585 | Decal - cover |
| 32 | 157503 | Bolt - hex shoulder, 5/16-18 x 5/32 | 111 | 098459 | Quadrant - height adjust |
| 33 | 013896 | Bracket - seat plate L.H. | 112 | 098467 | Pawl - height adjust |
| 34 | 450437 | Bolt - hex 5/16-18 x 5/8 | 113 | 158675 | Bolt - shoulder 5/16-18 x 5/8 |
| 35 | 109694 | Spring - seat, short | 114 | 051789 | Cable - deck lifting |
| 36 | 097493 | Spring - seat, long | 115 | 097337 | Pin - clevis |
| 37 | 095174 | Clamp - seat spring | 116 | 158857 | E Ring |
| 38 | 112334 | Cover - seat spring | 117 | 159137 | Clevis - lift cable |
| 39 | 096354 | Hood - upper | 118 | 157996 | Nut - square 1/4-20 |
| 40 | 158832 | Screw - taptite 10-24 x 1/2 | 119 | 157263 | Pin - clevis |
| 41 | 098343 | Support - hood | 120 | 715029 | Pin - cotter 3/32 x 3/4 |
| 42 | 159400 | Screw #10-24 x 1 | 121 | 159004 | Bolt - hex 1/4-20 x 3/4 |
| 43 | 158097 | Screw - taptite 1/4-20 x 5/8 | 122 | 097352 | Retainer - cable |
| 44 | 112565 | Lens - headlights | 123 | 158683 | Bolt - shoulder 1/4-20 x 1 |
| 45 | 158865 | Screw - taptite 6 x 1/2 | 124 | 097279 | Clevis - pulley, fender |
| 46 | 136317 | Reflector - light R.H. | 125 | 097287 | Pin - clevis |
| 47 | 136325 | Reflector - light L.H. | 126 | 715011 | Hairpin cotter |
| 48 | 136333 | Reflector - center | 127 | 158923 | Nut - square 5/16-18 |
| 49 | 135533 | Bulb - headlight | 128 | 014142 | Washer - formed |
| 50 | 135103 | Wire - headlights | 129 | 013128 | Bracket - fender, rear |
| 51 | 134676 | Clip - wire, press-on | 130 | 013813 | Bracket - hanger |
| 52 | 112656 | Hood - lower | 131 | 313502 | Bolt - rd. head 5/16-18 x 1 |
| 53 | 136416 | Spring - hood | 132 | 013805 | Link - suspension R.H. |
| 54 | 136671 | Fastener - hood (hook & loop) | 133 | 158691 | Nut - eccentric, deck leveling |
| 55 | 014340 | Brace - support | 134 | 014233 | Suspension Assembly - lift |
| 56 | 006874 | Decal - heat reflective | 135 | 156075 | Washer - flat 1/2 |
| 57 | 097816 | Bracket - lower hood R.H. | 136 | 159228 | Screw - tapping 5/16-18 x 3/4 |
| 58 | 097824 | Bracket - lower hood L.H. | 137 | 006593 | Plate - monitor lights |
| 59 | 150250 | Bolt - hex 5/16-18 x 1-1/2 | 138 | 006601 | Plate - Lawn Chief |
| 60 | 113258 | Tank - fuel, 2 gal. | 139 | 004853 | Decal Danger, on console |
| 61 | 112276 | Cap - fuel tank | 140 | 097832 | Bracket - cable pulley |
| 62 | 015305 | Bracket - fuel tank | 141 | 159426 | Nut - 1/4-28 jam |
| 63 | 672857 | Hose - fuel line | 142 | 446799 | Pad - hood |
| 64 | 303859 | Clamp - fuel line | 143 | 014258 | Bracket - seat switch |
| 65 | 432625 | Filter - fuel | 144 | 014167 | Plate - rear hitch |
| 66 | 051714 | Control - throttle w/cable | 145 | 013904 | Bracket - seat plate R.H. |
| 67 | 158451 | Screw - pan hd. 10-24 x 5/8 | 146 | 097527 | Clamp - long spring |
| 68 | 715334 | Nut - hex keps 10-24 | 147 | 095166 | Bracket - seat stop |
| 69 | 112730 | Knob - throttle lever | 148 | 136184 | Cover - long spring |
| 70 | 159335 | Screw - pan head 8-32 x 3/8 | 149 | 152967 | Nut - hex lock 1/4-20 |
| 71 | 159244 | Nut - hex 8-32 | 150 | 157883 | Bolt - hex 1/4-20 x 1 |
| 72 | 135798 | Switch - ignition w/o keys | 151 | 159343 | Washer - flat |
| 73 | 158717 | Nut - switch | 152 | 159236 | Nut - hex 5/16-18 flanged |
| 74 | 136242 | Key - ignition | 153 | 469544 | Spacer |
| 75 | 112698 | Boot - ignition switch | 154 | 462465 | Washer - lock, ext tooth |
| 76 | 135814 | Switch - head lights | 155 | 157891 | Bolt - hex tap 3/8-16 x 1 |
| 77 | 134726 | Battery - 12 volt, dry | 156 | 452318 | Nut - #10 - 24 Nylock |
| 78 | 096123 | Bracket - battery hold-down | 157 | 715136 | Washer - #10 - 24 |

P/L 183392
 P/N 228981

MODEL 600G
 14 HP 45" Cut Lawn Tractor
 Grass Catcher Model 39/45
 P/N 228759 (see page 106)

CHASSIS GROUP



MODEL 600G
14 HP 45" Cut Lawn Tractor
Grass Catcher Model 39/45
P/N 228759 (see page 106)

CHASSIS GROUP

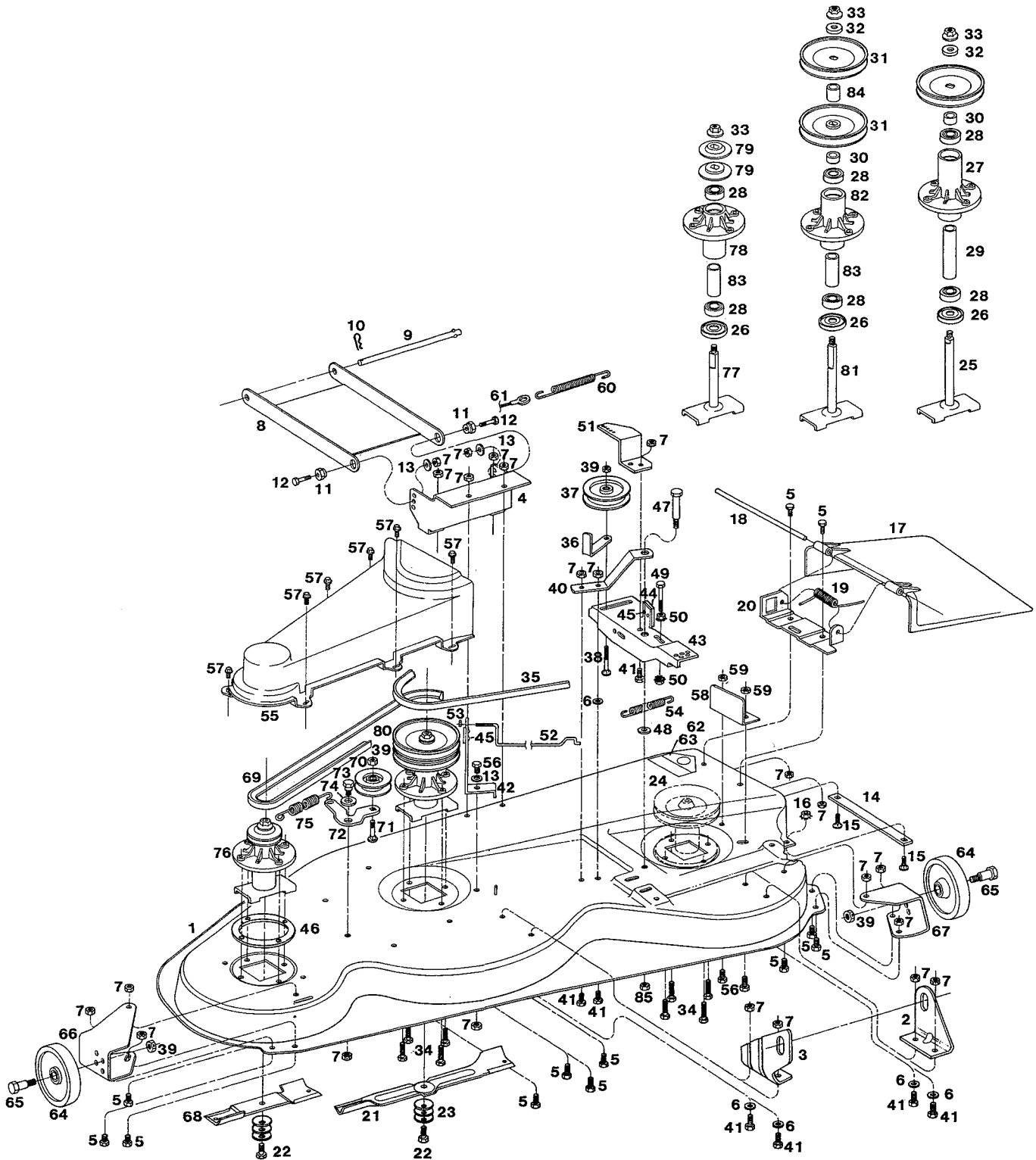
| Index No. | Part No. | Description | Index No. | Part No. | Description |
|-----------|----------|---|-----------|----------|---------------------------------|
| 1 | 013136 | Frame - main | 51 | 157982 | Bolt - hex 1/4-28 x 3/4 |
| | 013086 | Axle Assembly - front (includes 2, 3, 4, 5, 6 and 8) | 52 | 158014 | Bolt - hex tap 3/8-16 x 1-1/4 |
| 2 | 098376 | Axle - front | 53 | 041616 | Wheel - rear w/tire & rim |
| 3 | 098426 | Spindle - steering R.H. | 54 | 042036 | Rim - rear tire |
| 4 | 098434 | Spindle - steering L.H. | 55 | 041657 | Tire - rear 20 x 10.00 |
| 5 | 134999 | Bearing - spindle | 56 | 158188 | Washer - flat |
| 6 | 316513 | Ring - retainer | 57 | 134767 | Tube - engine oil drain |
| | 095877 | Tie Rod Assembly (includes 7, 13 and 14) | 58 | 446617 | Key - rear wheel |
| 7 | 098442 | Rod - tie, steering | 59 | 158261 | Spacer - rear wheel |
| 8 | 095521 | Cover - axle end | 60 | 109660 | Cap - drain tube |
| 9 | 157941 | Bolt - hex 5/16-18 x 7/8 | 61 | 153551 | Washer - lock 5/16 |
| 10 | 150185 | Washer - lock 3/8 | 62 | 135137 | Clamp - throttle cable |
| | 097543 | Drag Link Assembly (includes 11, 12, 13 and 14) | 63 | 157784 | Screw - cable clamp |
| 11 | 091231 | Link - drag, steering | 64 | 134858 | Muffler - exhaust L.H. |
| 12 | 135244 | Joint - ball, sector end | 65 | 159004 | Bolt - hex 1/4-20 x 3/4 |
| 13 | 135038 | Joint - ball, axle end | 66 | 134841 | Gasket - muffler |
| 14 | 158105 | Nut - hex jam 3/8-24 | 67 | 014175 | Deflector - air |
| 15 | 715185 | Washer - flat | 68 | * | Engine - 14 HP |
| 16 | 615633 | Nut - hex 3/8-24 | 69 | 013912 | Deflector - air |
| 17 | 042135 | Wheel - front, w/tire & rim | 70 | 096016 | Pulley - engine, double |
| 18 | 042150 | Rim - front tire | 71 | 158899 | Key - pulley |
| 19 | 159392 | Bearing - wheel | 72 | 158246 | Spacer - pulley, top |
| 20 | 136291 | Stem - valve w/cap | 73 | 158253 | Washer - pilot |
| 21 | 715094 | Washer - lock 1/4 | 74 | 158139 | Bolt - hex 7/16-20 x 5-3/4 |
| 22 | 041624 | Tire - front 16 x 6.50 tubeless | 75 | 311068 | Washer - lock 7/16 |
| 23 | 158063 | Washer - flat | 76 | 135194 | Belt - drive |
| 24 | 112805 | Trough - oil drain | 77 | 109645 | Pulley - idler |
| 25 | 112409 | Cap - hub | 78 | 157750 | Bolt - carriage 3/8-16 x 1-1/2 |
| 26 | 112771 | Wheel - steering | 79 | 310011 | Nut - hex 3/8-16 lock |
| 27 | 159434 | Pin - roll 1/4 x 2 | 80 | 015198 | Retainer - belt |
| 28 | 095034 | Shaft - steering | 81 | 136101 | Arm - idler |
| 29 | 159376 | Washer - flat | 82 | 159129 | Bolt - shoulder 5/16-18 x 11/16 |
| 30 | 158162 | Washer - flat 3/4 | 83 | 158212 | Washer - flat |
| 31 | 109801 | Pinion - steering | 84 | 095794 | Rod - clutch |
| 32 | 158766 | Pin - dowel 1/4 x 1-3/4 | 85 | 135228 | Spring - clutch |
| 33 | 136275 | Bushing - steering pinion | 86 | 109835 | Guide - belt, rear |
| 34 | 109850 | Sector - steering | 87 | 097261 | Guide - belt |
| 35 | 134742 | Eccentric - steering adjust | 88 | 152108 | Bolt - hex 5/16-18 x 1 |
| 36 | 158147 | Bolt - hex 1/2-13 x 1-1/2 | 89 | 014266 | Shield - heat |
| 37 | 157537 | Nut - hex lock 1/2-13 | 90 | 098087 | Guide - belt |
| 38 | 158170 | Washer - flat | 91 | 095869 | Bracket - stabilizer L.H. |
| 39 | 158154 | Bolt - hex 5/16-18 x 2-3/4 | 92 | 158832 | Screw - taptite #10 x 1/2 |
| 40 | 715177 | Nut - hex 5/16-18 | 93 | 097808 | Guide - belt |
| 41 | ** | Transaxle - Tecumseh/Peerless Model 801-049 | 94 | 134825 | Switch - clutch interlock |
| 42 | 096065 | Brace - transaxle R.H. | 95 | 157933 | Screw - pan head |
| 43 | 159228 | Bolt - hex tap 5/16-18 x 3/4 | 96 | 095802 | Rod - brake |
| 44 | 311118 | Washer - lock 5/16 | 97 | 150136 | Nut - hex keps 5/16-18 |
| 45 | 095851 | Pulley - transaxle | 98 | 095786 | Bracket - brake rod |
| 46 | 615534 | Key - Woodruff #9 | 99 | 157503 | Bolt - shoulder 5/16-18 x 1/2 |
| 47 | 159285 | Ring - retainer | 100 | 112664 | Knob - shift lever |
| 48 | 096040 | Lever - shift | 101 | 158949 | Nut - hex jam 1/2-13 |
| 49 | 317016 | Pin - cotter | 102 | 134866 | Muffler - exhaust R.H. |
| 50 | 095836 | Bracket - shift lever | | 042085 | Tube - front tire 16 x 6.50 |
| | | | | 042101 | Tube - rear tire 20 x 10.00 |

*Contact Engine Manufacturer's authorized service dealer for parts and warranty.

**Contact Tecumseh/Peerless authorized service dealer or distributor for parts and warranty.

MODEL 600G
 14 HP 45" Cut Lawn Tractor
 Grass Catcher Model 39/45
 P/N 228759 (see page 106)

45" MOWER DECK AND DRIVE

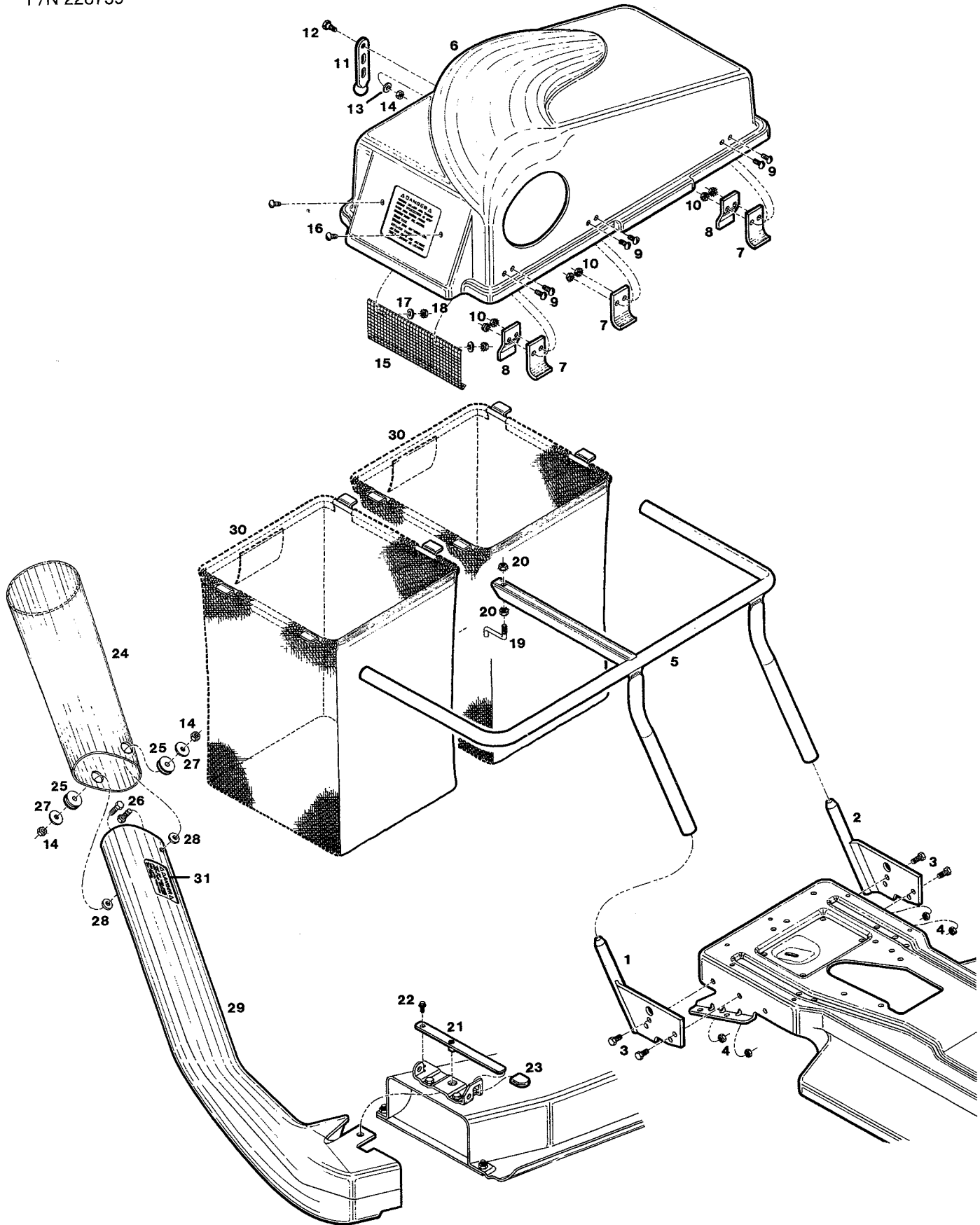


MODEL 600G
 14 HP 45" Cut Lawn Tractor
 Grass Catcher Model 39/45
 P/N 228759 (see page 106)

45" MOWER DECK AND DRIVE

| Index No. | Part No. | Description | Index No. | Part No. | Description |
|-----------|----------|--|-----------|----------|--|
| 1 | 014514 | Deck - mower 45" | 43 | 098053 | Arm - idler w/brake pad (includes 44 & 45) |
| 2 | 014498 | Bracket - deck lift R.H. | 014084 | 014084 | Arm - idler w/o brake pad |
| 3 | 014506 | Bracket - deck lift L.H. | 44 | 135046 | Pad - brake |
| 4 | 014480 | Bracket - deck drawbar | 45 | 764225 | Rivet - pop, brake pad 3/16 x 3/8 |
| 5 | 312082 | Bolt - hex 5/16-18 x 1/2 | 46 | 098608 | Spacer - spindle assembly |
| 6 | 715185 | Washer - flat 5/16 | 47 | 158733 | Bolt - shoulder 3/8-16 x 2-9/16 |
| 7 | 715177 | Nut - hex lock 5/16-18 | 48 | 158337 | Washer - flat 3/8 |
| 8 | 014407 | Drawbar - deck | 49 | 450130 | Bolt - hex 1/4-20 x 2 |
| 9 | 097469 | Pin - drawbar | 50 | 715037 | Nut - hex keps 1/4-20 |
| 10 | 715011 | Hairpin cotter | 51 | 014159 | Extension - idler arm |
| 11 | 158691 | Nut - eccentric, deck leveling | 52 | 097618 | Rod - brake release |
| 12 | 152108 | Bolt - hex 5/16-18 x 1 | 53 | 152967 | Nut - hex lock 1/4-20 |
| 13 | 159194 | Washer - flat | 54 | 109637 | Spring - brake engaging |
| 14 | 014456 | Bar - skid | 55 | 112722 | Cover - belt |
| 15 | 313510 | Bolt - carriage 5/16-18 x 3/4 | 56 | 450437 | Bolt - hex 5/16-18 x 5/8 |
| 16 | 150136 | Nut - hex keps 5/16-18 | 57 | 159053 | Screw - tapping 1/4-20 x 3/8 |
| 17 | 113076 | Deflector - discharge opening | 58 | 014472 | Shield - pulley R.H. |
| 18 | 096438 | Pin - deflector | 59 | 159236 | Nut - hex lock 5/16-18 |
| 19 | 097972 | Spring - deflector | 60 | 097980 | Spring - clutch engaging |
| 20 | 014449 | Bracket - chute deflector | 61 | 051763 | Cable - blade drive control |
| 21 | 030551 | Blade - 18" Hilift | 62 | 004655 | Decal - No Step |
| | 031021 | Blade - 18" none Hilift (optional) | 63 | 143115 | Decal - Danger |
| 22 | 158543 | Bolt - hex nylock 3/8-24 x 1 | 64 | 041541 | Wheel - deck 6" |
| 23 | 158055 | Washer - formed | 65 | 157495 | Bolt - shoulder 3/8-16 x 2-3/8 |
| 24 | 015891 | Spindle Assembly - RH blade (includes 25 - 33) | 66 | 014522 | Bracket - deck wheel L.H. |
| 25 | 098160 | Shaft - blade w/saddle | 67 | 014530 | Bracket - deck wheel R.H. |
| 26 | 134981 | Shield - dust | 68 | 030726 | Blade - 9" Hilift |
| 27 | 134973 | Housing - shaft and bearings | 69 | 135863 | Belt - blade drive L.H. |
| 28 | 095406 | Bearing - shaft | 70 | 098079 | Pulley - idler, L.H. belt |
| 29 | 095398 | Spacer - bearings | 71 | 157750 | Bolt - rd. head 3/8-16 x 1-1/2 |
| 30 | 159319 | Spacer - drive pulley | 72 | 097626 | Arm - idler pulley |
| 31 | 098152 | Pulley - drive | 73 | 157479 | Bolt - shoulder 5/16-18 x 1/2 |
| 32 | 157396 | Washer - pulley retainer | 74 | 158048 | Washer - flat 5/8 special |
| 33 | 159301 | Nut - hex lock 7/16-20 | 75 | 135871 | Spring - idler tension |
| 34 | 159202 | Bolt - hex 5/16-18 x 1-3/8 | 76 | 015917 | Spindle Assembly - L.H. blade (includes 26, 28, 33, 77, 78 & 79) |
| 35 | 136176 | Belt - blade drive, long | 77 | 098830 | Shaft - blade w/saddle |
| 36 | 098012 | Retainer - belt | 78 | 098186 | Housing - shaft and bearings |
| 37 | 098004 | Pulley - idler | 79 | 098178 | Pulley - drive, half |
| 38 | 158444 | Bolt - carriage 3/8-16 x 2 | 80 | 015909 | Spindle Assembly - center blade (includes 26, 28, 30, 31, 32, 33, 81, 82, 83 & 84) |
| 39 | 310011 | Nut - hex lock 3/8-16 | 81 | 098228 | Shaft - blade w/saddle |
| 40 | 014464 | Bracket - idler arm | 82 | 098210 | Housing - shaft and bearings |
| 41 | 158998 | Bolt - hex 5/16-18 x 3/4 | 83 | 098194 | Spacer - bearings |
| 42 | 135772 | Arm - blade brake w/brake pad (includes 44 & 45) | 84 | 159327 | Spacer - pulleys |
| | 014092 | Arm - blade brake w/o brake pad | 85 | 715482 | Nut - hex fig. 3/8-16 |

MODEL 39/45
Rear Grass Catcher Accessory Kit
For Models 400G-500G-600G-700G
P/N 228759



MODEL 39/45
Rear Grass Catcher Accessory Kit
For Models 400G-500G-600G-700G
P/N 228759

| Index Part | | |
|------------|--------|---------------------------------|
| No. | No. | Description |
| 1 | 098566 | Bracket-mounting RH |
| 2 | 098574 | Bracket-mounting LH |
| 3 | 152108 | Bolt-hex 5/16-18 x 1 |
| 4 | 715177 | Nut-hex 5/16-18 center lock |
| 5 | 098541 | Frame—bag support |
| 6 | 160937 | Cover—grass catcher |
| 7 | 098590 | Hinge—cover |
| 8 | 098582 | Clip—bag retainer |
| 9 | 159491 | Screw—slotted hd 1/4-20 x 5/8 |
| 10 | 715037 | Nut—hex keps 1/4-20 |
| 11 | 136366 | Latch—cover, rubber |
| 12 | 159533 | Bolt—shoulder 1/4-20 x 3/4 |
| 13 | 159459 | Washer—flat 1/4 |
| 14 | 152967 | Nut—hex 1/4-20 center lock |
| 15 | 160945 | Screen—cover vent |
| 16 | 159442 | Screw—slotted #10-24 x 5/8 |
| 17 | 159467 | Washer—flat 13/64 |
| 18 | 715334 | Nut—hex keps #10-24 |
| 19 | 159517 | Rod—cover latch |
| 20 | 150136 | Nut—hex keps 5/16-18 |
| 21 | 098558 | Lever—chute latch |
| 22 | 159483 | Screw—tapping 5/16-18 x 1/2 |
| 23 | 110130 | Tip—latch lever |
| 24 | 042044 | Tube—discharge, upper |
| 25 | 159525 | Grommet—rubber |
| 26 | 159004 | Bolt-hex 1/4-20 x 3/4 |
| 27 | 159509 | Washer—flat 9/32 ID, 1-1/4 OD |
| 28 | 158113 | Washer—flat 5/16 ID, 3/4 OD |
| 29 | 098533 | Tube—discharge, lower |
| 30 | 160929 | Bag—grass collector, with frame |
| 31 | 005751 | Decal—DANGER |