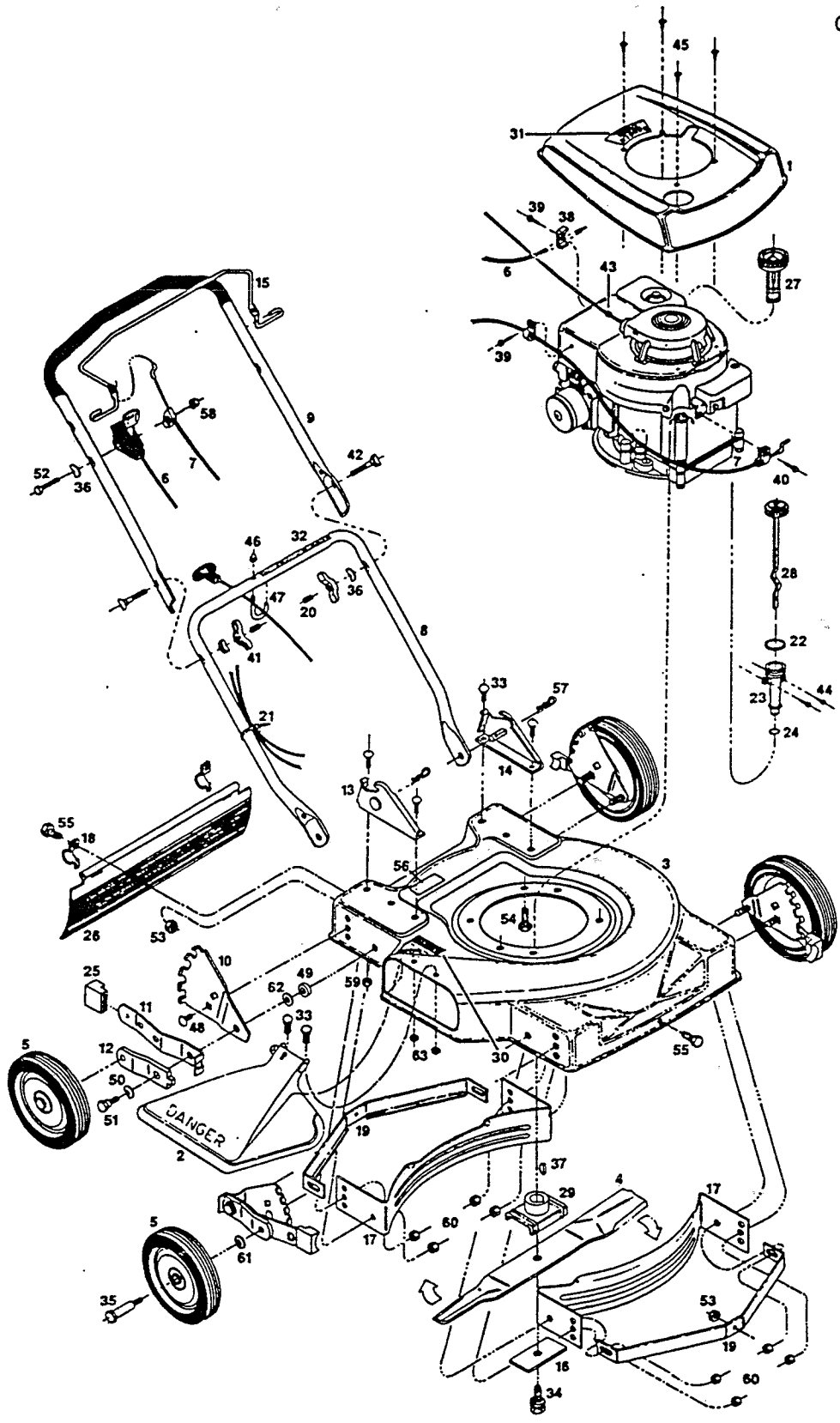


Model 60C
20" Rotary Mower
Grass Catcher GC-12 (Not Shc



Model 60C

INDEX NO.	PART NO.	DESCRIPTION
1	027987	Engine Shroud
2	028886	Chute Deflector Assembly*
3	028902	Deck - 20"
4	030296	Blade - 20" - Offset
5	040998	Wheel - 8"
6	050542	Control - Throttle
7	050674	Control Cable - Engine/Blade*
8	071050	Handle - Lower
9	071159	Handle - Upper Coated
10	090589	Back Plate - Height Adjuster
11	090613	Setting Lever - Height Adjuster
12	090712	Wheel Lever - Height Adjuster
13	104661	Handle Bracket - Right Hand
14	104679	Handle Bracket - Left Hand
15	104745	Control - Engine/Blade Crossbar*
16	106005	Blade Washer - 3"
17	106625	Baffle - Front and Rear
18	106914	Clip - Trailing Shield
19	106997	Deck Stiffener
20	110064	Bolt Cap
21	110379	Cable Tie
22	110494	O-ring Large - Oil Dip Stick
23	111112	Oil Fill Tube - Oil Dip Stick
24	111120	O-Ring Small - Oil Dip Stick
25	111260	Plastic Tip - Height Adjuster
26	111617	Trailing Shield - Plastic*
27	120014	Gas Gauge
28	125237	Oil Dip Stick and Cap
29	126466	Blade Adaptor
30	144063	Decal - C.P.S.C. Danger
31	144204	Decal - Blade Warning
32	144899	Decal - Starting Instructions
33	150011	Bolt - Carriage 1/4-20 x 5/8 Gr 5
34	152496	Bolt - Blade Hex HD Sems 3/8-24 x 1
35	150060	Shoulder Bolt - Wheel
36	150201	Washer - Curved 5/16
37	150276	Woodruff Key No. 6
38	150318	Cable Clamp
39	150623	Screw - Hex HD Sht Metal 10x5/8
40	151613	Bolt - Hex HD Sems 10-32x3/8
41	151795	Wing Nut 5/16-18
42	151936	Bolt - Curved HD Crg 5/16-18x2¼
43	152074	Rope Stop
44	152082	Shid. Screw - Hex HD Sht Metal 8x3/8
45	152199	Screw-Phillips Sht Metal Sems 6x1/2
46	152207	Locknut - 1/4-20 Acorn
47	152215	Rope Guide
48	152405	Bolt - Carriage 3/8-16 x 3/4
49	152413	Washer - Plastic - Height Adjuster
50	152421	Washer - Spring - Height Adjuster
51	153643	Shoulder Bolt - Height Adjuster
52	153874	Bolt - Hex Head 1/4-20 x 2¼
53	452318	Nut - #10-24 Hx Nylon Insert
54	457168	Bolt - 3/8-16 x 7/8 TDFM
55	525337	Bolt - Hex Head 10-24 x 1/2
56	714170	Decal - Rating Plate
57	715011	Hitch Pin No. 3
58	715037	Locknut - 1/4-20 Keps
59	715078	Locknut - 1/4-20 Flanged Whiz
60	715086	Locknut - 3/8-16 Top
61	715409	Washer - Spring - Wheel
62	715417	Washer - 3/8 SAE
63	715508	Locknut - 1/4-20 Top

NOTE: Parts are right or left hand as viewed from operator position.