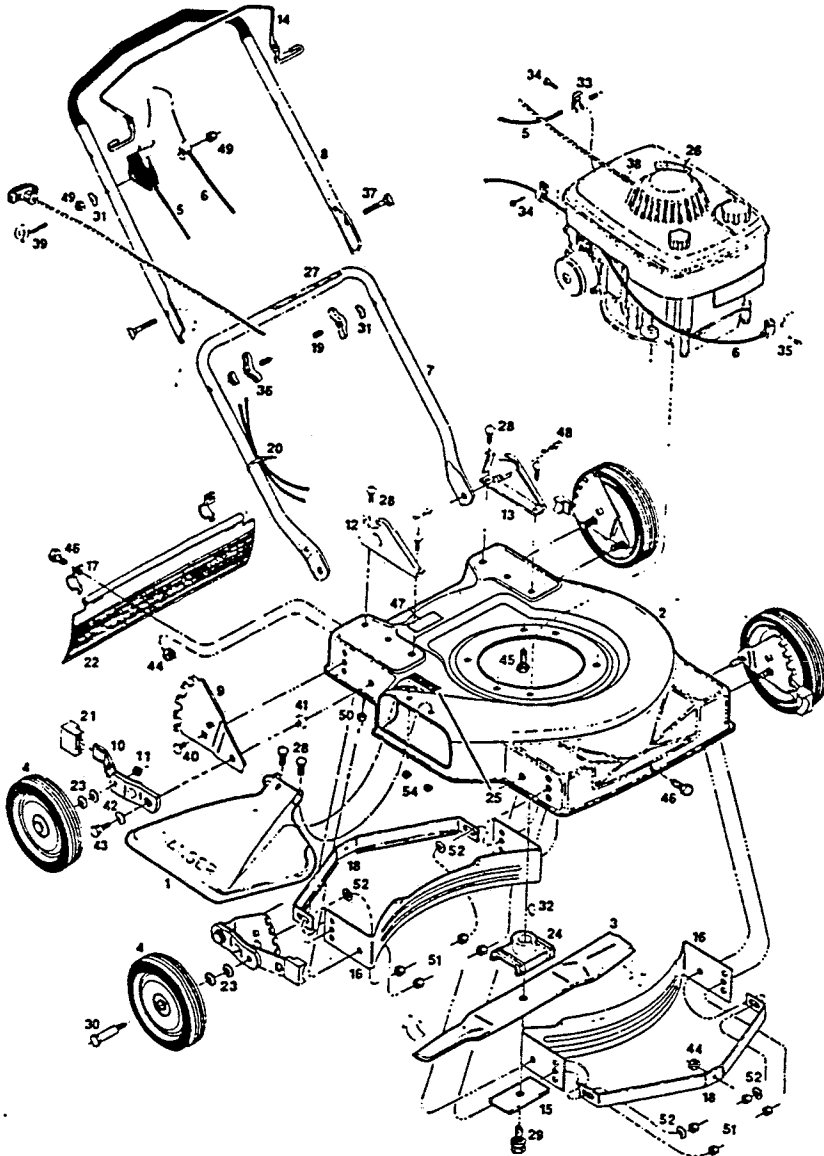


Model 60E
20" Rotary Mower
Grass Catcher Model GC-12



INDEX NO.	PART NO.	DESCRIPTION
1	028886	Chute Deflector Assembly*
2	024182	Deck - 20"
3	030296	Blade - 20" - Offset
4	041392	Wheel - 8"
5	051235	Control - Throttle w/Cable
6	051037	Cable - Engine/Blade Control*
7	071563	Handle - Lower
8	071159	Handle - Upper
9	090589	Back Plate - Height Adjuster
10	091033	Arm Assembly Wheel
11	715524	Locknut 3/8-16 Jam
12	104661	Handle Bracket - Right Hand
13	104679	Handle Bracket - Left Hand
14	109298	Bail - Engine/Blade Control*
15	106005	Blade Washer
16	106625	Baffle - Front and Rear
17	106914	Clip - Trailing Shield
18	106997	Deck Stiffener
19	110064	Bolt Cap
20	110379	Cable Tie
21	111260	Plastic Tip - Height Adjuster
22	111617	Trailing Shield - Plastic*
23	715508	Washer - 1/4 -20 Top
24	126466	Blade Adapter
25	144063	Decal - Danger*
26	001206	Decal - Blade Warning*
27	144899	Decal - Starting Instructions
28	150011	Bolt - Carriage 1/4-20 x 5/8 Gr 5
29	150862	Bolt - Blade 3/8-24 x 1
30	150730	Shoulder Bolt - Wheel
31	150201	Washer - Curved 5/16
32	150276	Woodruff Key No. 6
33	150318	Cable Clamp
34	150623	Screw - Sheet Metal 10x5/8
35	151613	Bolt - Hex HD Sems 10-32x3/8
36	151795	Wing Nut 5/16-18
37	151936	Bolt - Curved HD Crg 5/16-18x2 1/4
38	152074	Rope Stop
39	152629	Eyebolt - Rope Guide
40	152405	Bolt - Carriage 3/8-16 x 3/4
41	156182	Washer - Plastic - Height Adjuster
42	152421	Washer - Spring - Height Adjuster
43	156125	Shoulder Bolt - Height Adjuster
44	452318	Nut - #10-24 Hx Nylon Insert
45	457168	Bolt - 3/8-16 x 7/8 TDFM
46	458687	Bolt - Hex Head 10-24 x 1/2
47	714170	Decal - Model Number
48	715011	Hairpin Cotter
49	715037	Locknut - 1/4-20 Keps
50	715078	Locknut - 1/4-20 Flanged Whiz
51	715086	Locknut - 3/8-16 Top
52	156877	Washer - 3/8

NOTE: Parts are right or left hand as viewed from operator position.
 Approximate cutting heights 1 1/8" to 3 1/4".

227041