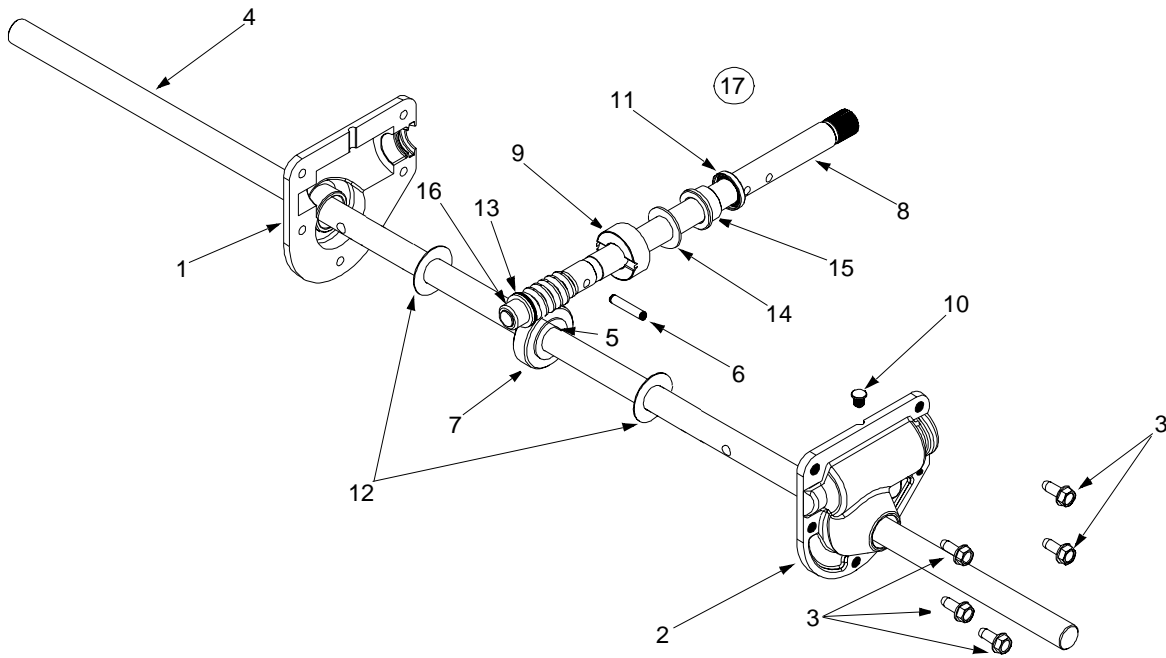


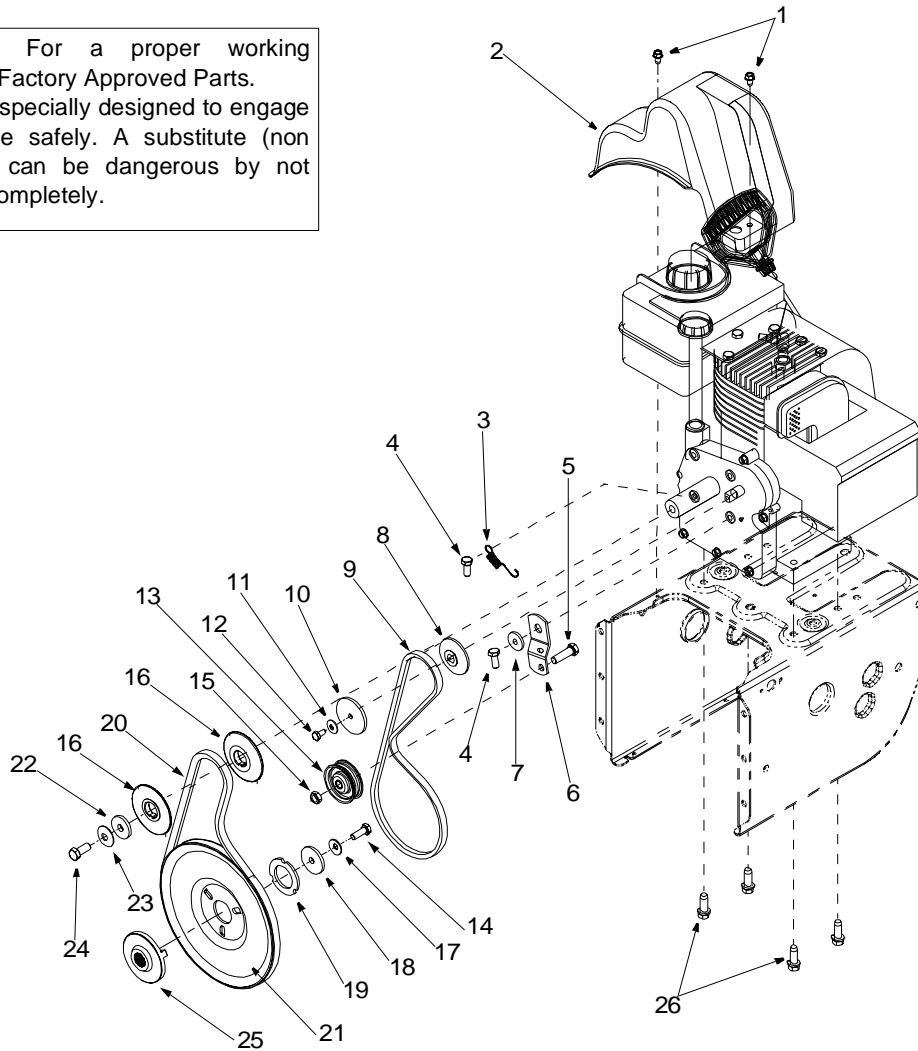
# Model 615



Ref. No.	Part No.	Description
1.	618-0123	Housing—R.H.
	618-0124	Housing—L.H.
2.	710-0642	Hex Screw 1/4-20 x .75
3.	711-1020A	Spiral Axle 22"
	711-0908A	Spiral Axle 24"
4.	714-0161	Key
5.	715-0143	Pin-Spiral
6.	717-0526	Shaft-Worm
7.	717-0528	Gear-Worm
8.	718-0186	Collar-Thrust
9.	721-0325	Plug
10.	721-0327	Seal-Oil
11.	736-0351	Washer-Flat
12.	736-0369	Washer-Flat
13.	736-0445	Washer-Flat
14.	737-0168	Grease
15.	741-0662	Bearing-Flange
16.	741-0663	Bearing-Flange
17.	618-0152A	Ass'y. Complete 22"
	618-0120A	Ass'y Complete 24"

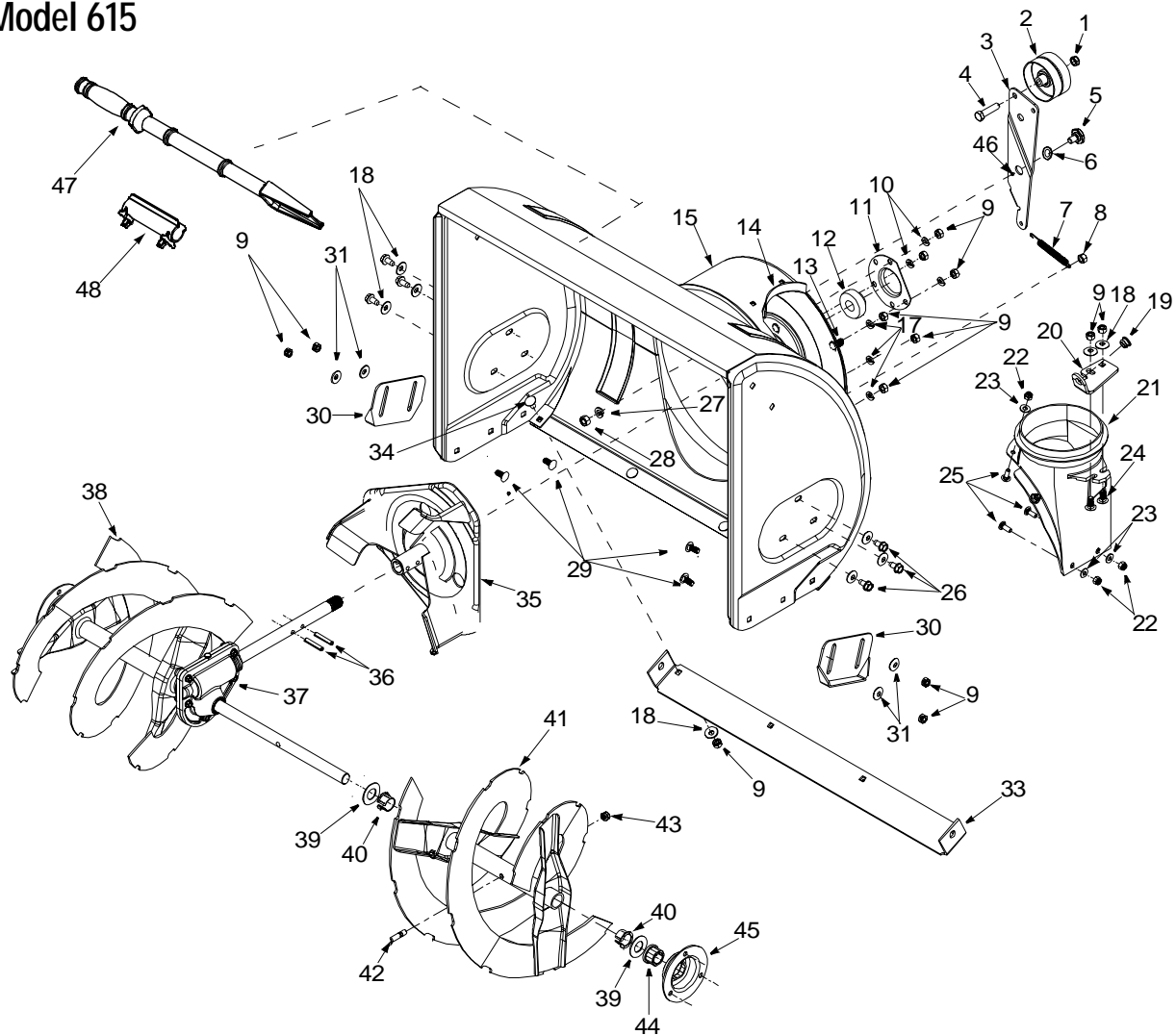
# Model 615

**IMPORTANT:** For a proper working machine, use Factory Approved Parts.  
**V-BELTS** are specially designed to engage and disengage safely. A substitute (non OEM) V-Belt can be dangerous by not disengaging completely.



Ref. No.	Part No.	Description	Ref. No.	Part No.	Description
1.	710-1652	Hex Washer Screw 1/4-20 x.5	14.	710-1245B	Lock Cap Screw 5/16-24
2.	731-1324	Belt Cover	15.	712-0181	Lock Jam Nut 3/8-16
3.	732-0339	Extension Spring	16.	756-0569	Pulley Half
4.	710-0627	Hex Screw 5/16-24 x .75	17.	736-0242	Bell Washer
5.	710-3005	Hex Cap Screw 3/8-16 x 1.25	18.	736-0505	Flat Washer
6.	05896A	Drive Clutch Bracket	19.	736-0507	Washer
7.	748-0234	Shoulder Spacer	20.	754-0430B	Belt
8.	756-0985	Pulley Half	21.	756-0967	Auger Pulley
9.	754-0343	V-Belt	22.	736-0247	Flat Washer
10.	756-0984	Pulley Half	23.	736-0331	Bell Washer
11.	736-0270	Bell Washer	24.	710-0696	Hex Cap Screw 3/8-24
12.	710-0230	Hex Cap Screw 1/4-28 x .50	25.	748-0360	Pulley
13.	756-0313	Flat Idler	26.	710-0654A	Hex Washer Screw 3/8-16 x 1.0

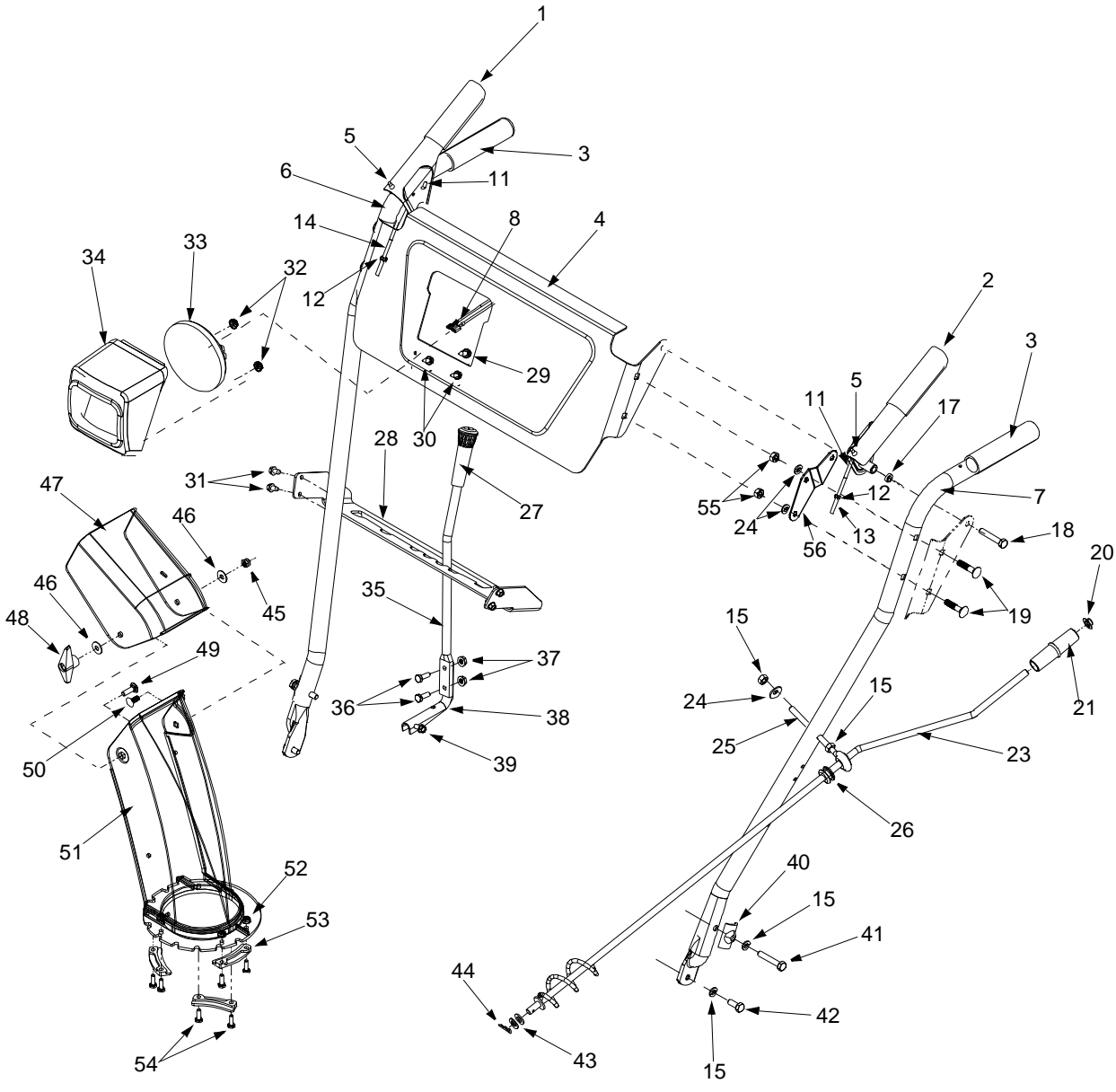
# Model 615



Ref. No.	Part No.	Description	Ref. No.	Part No.	Description
1.	712-0116	Lock Jam Nut 3/8-24	27.	736-0169	Lock Washer 3/8
2.	756-0178	Flat Idler	28.	712-0798	Hex Nut 3/8-16
3.	784-5632B	Auger Idler Arm	29.	710-0451	Carriage Bolt 5/16-18 x .75
4.	710-0459A	Hex Cap Screw 3/8-24 x 1.50	30.	784-5580	Snow Shoe
5.	738-0281	Shoulder Screw	31.	736-0242	Bell Washer
6.	736-0167	Flat Washer	33.	784-5576	22" Shave Plate
7.	732-0611	Extension Spring		784-5581A	24" Shave Plate
8.	712-3068	Hex Nut 5/16-18	34.	710-0260	Carriage Bolt 5/16-18 x .62
9.	712-3010	Hex Nut 5/16-18	35.	684-0065	Impeller Assembly
10.	736-0119	Lock Washer 5/16	36.	715-0114	Pin
11.	05931A	Housing	37.*	618-0152A	22" Gear Assembly
12.	741-0309	Ball Bearing		618-0120A	24" Gear Assembly
13.	710-0451	Carriage Bolt 5/16-18	38.	605-5252A	Spiral 22" RH
14.	705-5226	Reinforcement Chute		605-5188A	Spiral 24" RH
15.	684-0052C	22" Housing Assembly	39.	736-0188	Flat Washer
	684-0039D	24" Housing Assembly	40.	741-0493A	Flange Bushing
17.	736-0119	Lock Washer 5/16	41.	605-5253A	Spiral 22" LH
18.	736-0242	Bell Washer		605-5189A	Spiral 24" LH
19.	741-0475	Bushing	42.	710-0890A	Shear Bolt 5/16-18 x 1.5
20.	784-5647	Chute Crank Bracket	43.	712-0429	Lock Nut 5/16-18
21.	731-1379C	Chute Adapter	44.	741-0245	Hex Flange Bearing
22.	712-0324	Hex Lock Nut 1/4-20	45.	784-5618	Bearing Housing
23.	736-0463	Flat Washer	46.	737-0318	Grease
24.	710-0451	Carriage Bolt	47.	731-2643	Chute Clean-out Tool
25.	710-0703	Carriage Screw 1/4-20 x .75	48.	731-2635	Mount, Chute Clean-out Tool
26.	710-0604A	Hex Washer Screw 5/16-18			

\* See page 20 for breakdown of this assembly.

Model 615

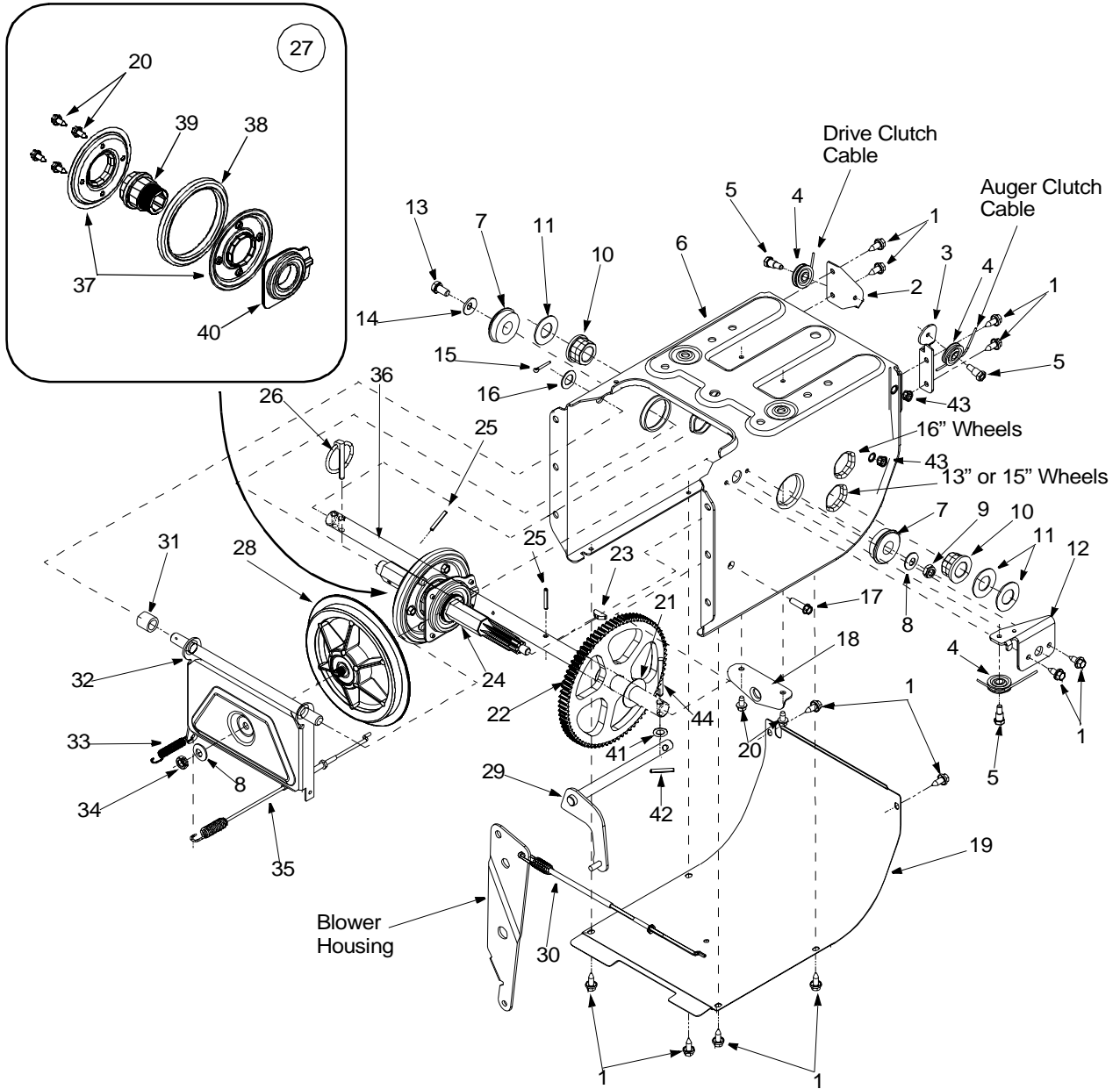


# Model 615

Ref. No.	Part No.	Description	Ref. No.	Part No.	Description
1.	705-5234A	Clutch Lever Assembly - RH	30.	710-1003	Hex Washer Screw #10 16 x .625 †
2.	705-5233A	Clutch Lever Assembly - LH	31.	710-0599	Hex Washer Screw 1/4-20 x .50
3.	720-0274	Grip	32.	712-0415	Hex Nut †
4.	784-5717A	Control Panel Assembly (615, E6A5E)	33.	725-1300	Headlight 18 Watt †
	784-5718A	Control Panel Assembly (E645, E665)	34.	731-1317	Headlight Cover †
5.	735-0199A	Bumper Rubber	35.	747-0904	Shift Lever
6.	749-0910C	Handle RH	36.	710-3015	Hex Cap Screw 1/4-20 x .75
7.	749-0911C	Handle LH	37.	712-3027	Hex Lock Nut 1/4-20
8.	629-0058	Light Harness †	38.	732-0733	Shift Lever Support
11.	746-0778	"Z" Fitting	39.	710-0809	Hex Washer
12.	712-0121	Hex Nut	40.	784-5599	Handle Tab
13.	746-0897	Auger Clutch Cable	41.	710-04039	Hex Cap Screw 5/16-18 x 2"
14.	746-0898B	Drive Clutch Cable	42.	710-1880	Hex Cap Screw 5/16-18 x .75
15.	712-3010	Hex Nut 5/16-18	43.	736-0185	Flat Washer 3/8 ID x .738 OD
16.	736-0119	Lock Washer 5/16	44.	714-0104	Cotter Pin
17.	750-1032	Spacer	45.	712-0429	Hex Lock Nut 5/16-18
18.	710-3103	Hex Hd. Cap Screw 5/16-18 x 2.00	46.	736-0159	Washer 5/16
19.	710-0262	Carriage Bolt 5/16-18 x 1.5	47.	731-0921	Upper Chute
20.	726-0100	Push Rod Cap	48.	720-0284	Knob 5/16-18
21.	720-0201A	Chute Crank Knob	49.	710-04071	Carriage Screw 5/16-18 x 1.0
22.	715-0138	Roll Pin	50.	710-0451	Carriage Bolt 5/16-18 x .75
23.	705-5204A	Chute Crank Assembly	51.	731-1300B	Lower Chute
24.	736-0242	Bell Washer .340 ID x .873 OD	52.	712-3027	Hex Lock Nut 1/4-20
25.	747-0697	Eyebolt	53.	731-0851A	Chute Flange Keeper
26.	735-0234	Rubber Grommet	54.	710-3015	Hex Cap Screw 1/4-20 x .75
27.	720-0223	Grip	55.	712-3068	Hex. Wash. Locknut 5/16-18 Thd.
28.	705-5265	Speed Selector Plate (1 Rev)	56.	705-5275	LH Handle Support Brkt.
	705-5231	Speed Selector Plate (2 Rev)	-	705-5274	RH Handle Support Brkt.
29.	710-1652	Hex Washer Screw 1/4-20 x .625 †			

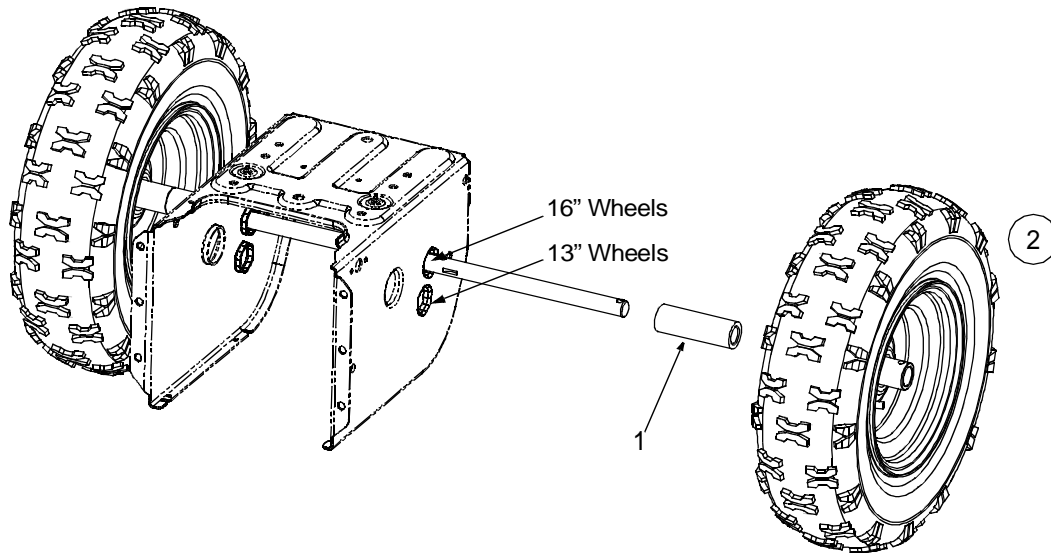
† If Equipped

# Model 615



# Model 615

Ref. No.	Part No.	Description	Ref. No.	Part No.	Description
1.	710-1652	Hex Screw	24.	717-1444	7-Tooth Shaft
2.	784-5688	Drive Cable Guide Bracket	25.	715-0249	Roll Pin
3.	784-5687A	Auger Clutch Cable Bracket	26.	714-0143	Klik Pin
4.	756-0625	Roller Cable	27.	684-0042C	Friction Wheel Assembly
5.	738-0924	Hex Screw 1/4-28	28.	656-0012A	Friction Disc Wheel
6.	784-5630B	Frame Assembly	29.	684-0013B	Wheel Shift Rod Assembly
7.	741-0563	Ball Bearing	30.	746-0897	Drive Cable
8.	736-0105	Bell Washer	31.	748-0190	Spacer
9.	712-0116	Lock Jam Nut	32.	684-0021	Friction Wheel Bracket Assembly
10.	741-04026	Hex Flange Bearing	33.	732-0264	Extension Spring
11.	736-0188	Flat Washer	34.	712-0711	Jam Nut 3/8-24
12.	784-5689A	Front Support Guide Bracket	35.	746-0898B	Drive Cable
13.	710-0538	Lock Hex Screw	36.	738-0869	Axle 13" Wheels
14.	736-0242	Bell Washer .340 ID x .872 OD	-	738-0830	Axle 16" Wheels
15.	714-0474	Cotter Pin	37.	790-00010	Friction Plate
16.	736-0160	Flat Washer .536 ID x .930 OD	-	790-00011	Friction Plate w/Extrusion
17.	710-0809	Hex Washer Screw 1/4-20	38.	735-0243B	Friction Wheel Rubber
18.	784-5590	Frame Shift Bracket	39.	718-0301A	Friction Wheel Hub
19.	784-5638	Frame Cover	40.	618-0063	Friction Wheel Bearing
20.	710-1652	Hex Washer Screw 1/4-20	41.	736-0142	Flat Washer .281 I.D. x .50 O.D.
21.	736-0351	Flat Washer .760 ID x .50 OD	42.	714-0507	Cotter Pin
22.	717-1445	Gear	43.	712-0703A	Insert Jam Nut 5/16-18
23.	714-0126	Key	44.	711-1364	Clevis Pin, 1/4 x 1.3725



WHEEL CHART							
MODEL NUMBER	WHEEL SIZE	REF. NO. 1 SPACER	REF. NO. 2 WHEEL ASS'Y*	TIRE ONLY	AIR VALVE	RIM ONLY	SLEEVE BEARING (2)
615	13 x 4	731-04044	634-0114A	734-1732	734-0255	734-1713A	741-0143
E6A5E	13 x 5	731-04044	734-1714A	734-1527	734-0255	734-1713A	741-0143
E645	13 x 5	731-04044	734-1714A	734-1527	734-0255	734-1713A	741-0143
E665	13 x 5	731-04044	734-1714A	734-1527	734-0255	734-1713A	741-0401

\* A wheel assembly includes one tire, one air valve, one painted rim and two sleeve bearings