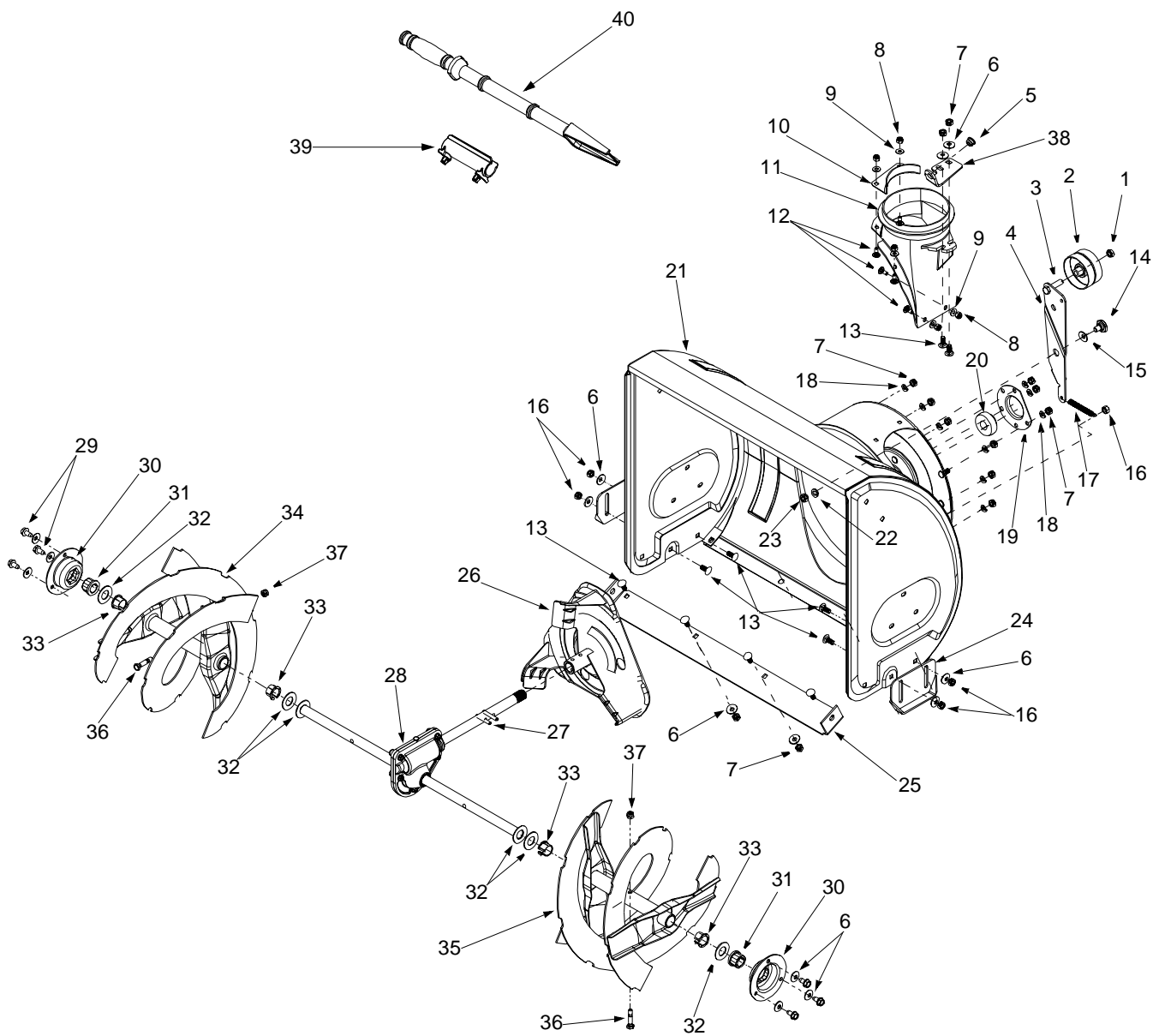


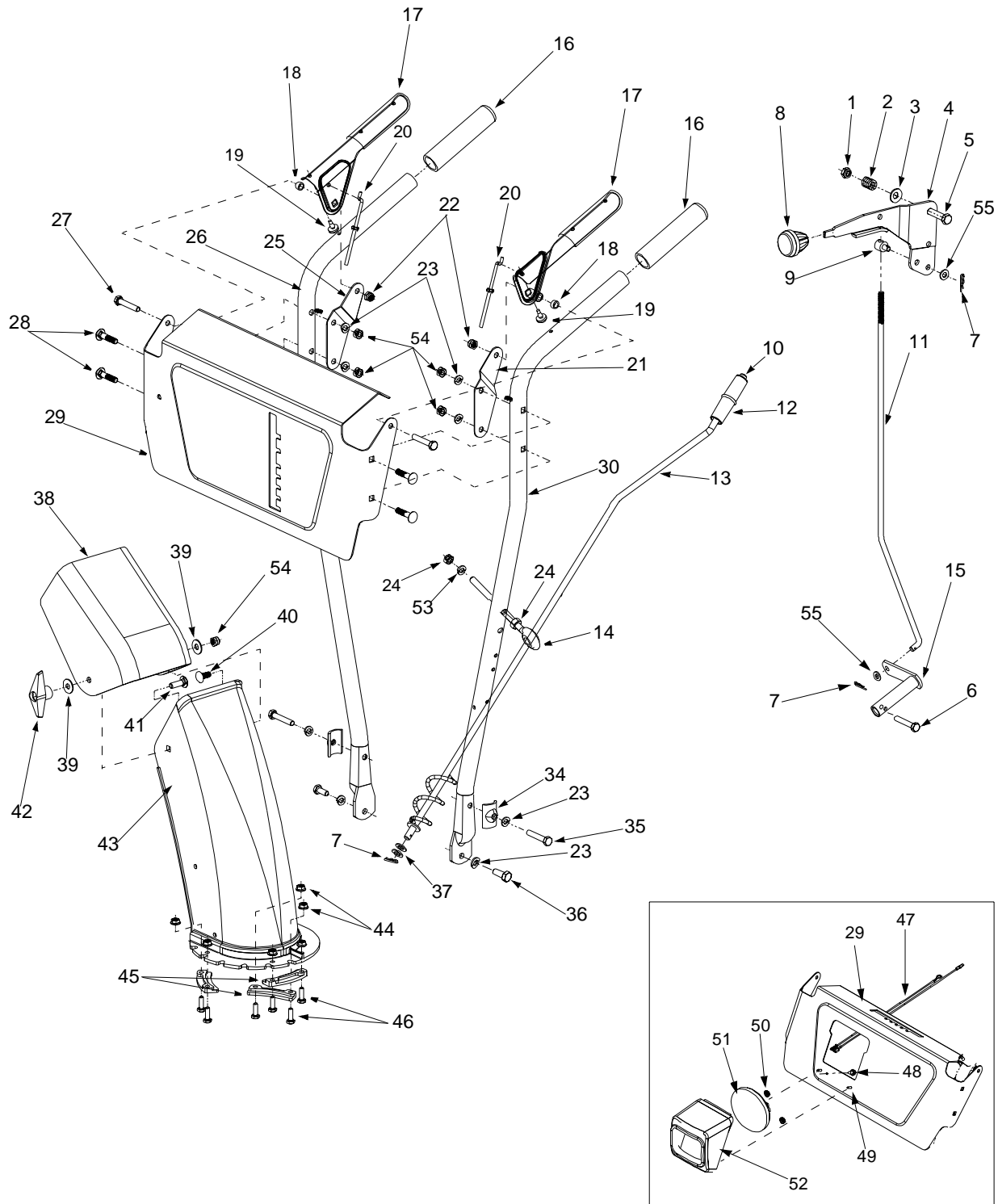
Models 642E, 642F, 662E, 644E, 664F, & 6A4E



Models 642E, 642F, 662E, 644E, 664F, & 6A4E

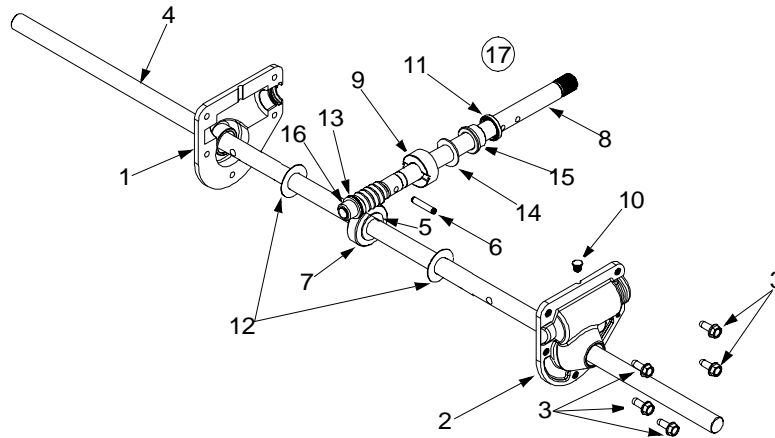
REF. NO.	PART NO.	DESCRIPTION	REF. NO.	PART NO.	DESCRIPTION
1.	712-0116	Lock Jam Nut 3/8-24		784-5579A	26" Shave Plate
2.	756-0178	Flat Idler		784-5582A	28" Shave Plate
3.	784-5632B	Auger Idler Arm		784-5575	30" Shave Plate
4.	710-0459A	Hex Cap Screw 3/8-24 x 1.50	26.	684-0065	Impeller Assembly
5.	741-0475	Bushing	27.	715-0114	Pin
6.	736-0242	Bell Washer	28.	618-0120A	24" Gear Assembly
7.	712-3010	Hex Nut 5/16-18		618-0121A	26" Gear Assembly
8.	712-0324	Hex Lock Nut 1/4-20		618-0122A	28" Gear Assembly
9.	736-0463	Flat Washer		618-0160A	30" Gear Assembly
10.	705-5226	Reinforcement Chute	29.	710-0604A	Hex Washer Screw 5/16-18
11.	731-1379C	Chute Adapter	30.	784-5618	Bearing Housing
12.	710-0703	Carriage Screw 1/4-20 x .62	31.	741-0245	Hex Flange Bearing
13.	710-0451	Carriage Bolt 5/16-18	32.	736-0188	Flat Washer
14.	738-0281	Shoulder Screw	33.	741-0493A	Flange Bushing
15.	736-0167	Flat Washer	34.	605-5188A	Spiral 24" RH
16.	712-3068	Hex Nut 5/16-18		605-5192A	Spiral 26" RH
17.	732-0611	Extension Spring		605-5196A	Spiral 28" RH
18.	736-0119	Lock Washer 5/16		605-5248A	Spiral 30" RH
19.	05931A	Bearing Housing	35.	605-5189A	Spiral 24" LH
20.	741-0309	Ball Bearing		605-5193A	Spiral 26" LH
21.	684-0039D	24" Housing Assembly		605-5197A	Spiral 28" LH
	684-0040D	26" Housing Assembly		605-5249A	Spiral 30" LH
	684-0041D	28" Housing Assembly	36.	710-0890A	Shear Bolt 5/16-18 x 1.5
	684-0055C	30" Housing Assembly	37.	712-0429	Lock Nut 5/16-18
22.	736-0169	Lock Washer 3/8	38.	784-5647	Chute Directional Control Bracket
23.	712-0798	Hex Nut 3/8-16	39.	731-2635	Clean-Out Tool Mount
24.	784-5580	Slide Shoe	40.	731-2643	Clean-Out Tool
25.	784-5581A	24" Shave Plate			

Models 642E, 642F, 662E, 644E, 664F, & 6A4E



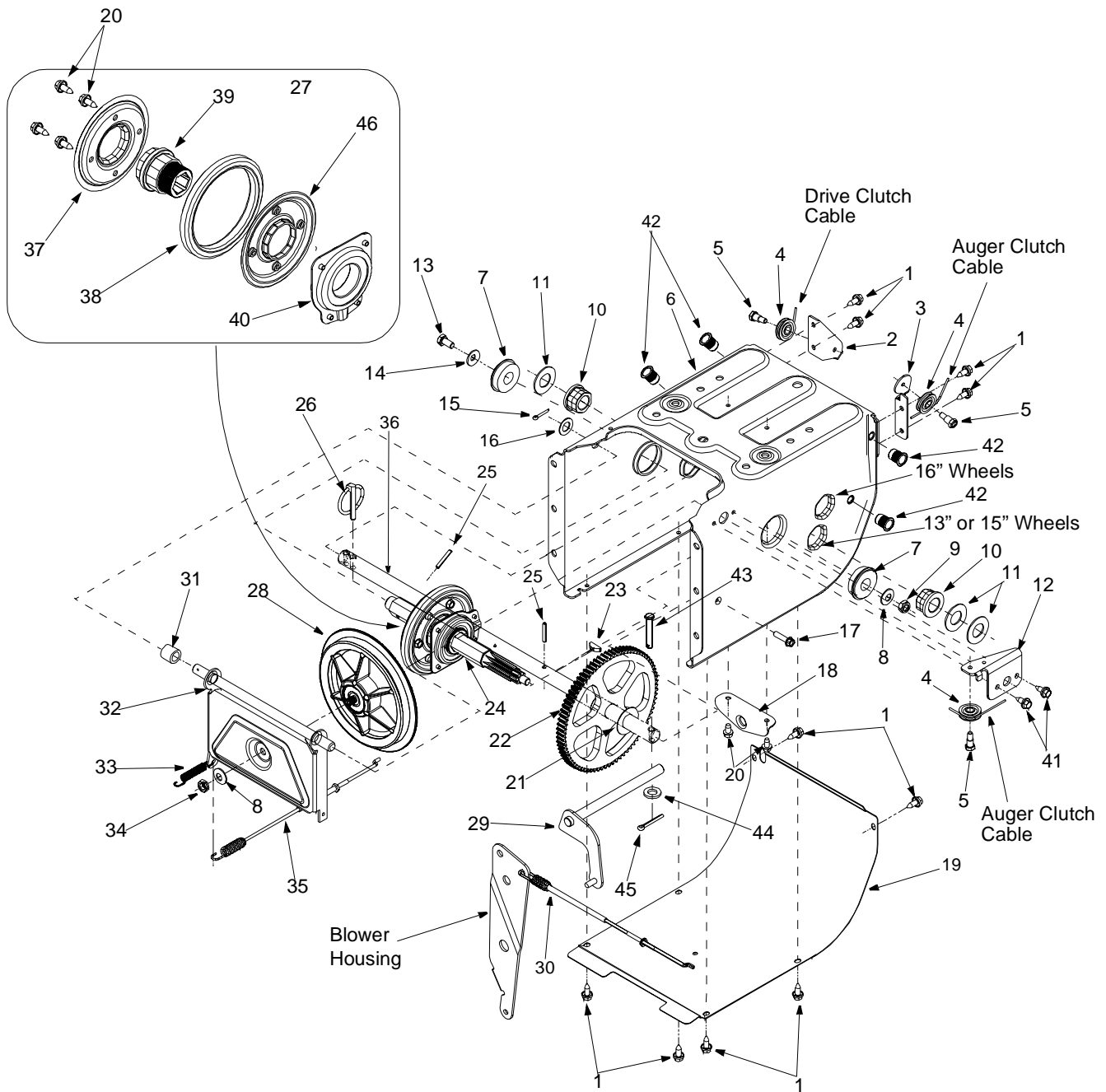
Models 642E, 642F, 662E, 644E, 664F, & 6A4E

REF. NO.	PART NO.	DESCRIPTION	REF. NO.	PART NO.	DESCRIPTION
1.	712-0116	Jam Lock Nut 3/8-24	27.	710-3103	Hex Cap Screw 5/16-18 x 2.0
2.	732-0193	Compression Spring	28.	710-0262	Carriage Bolt 5/16-18 x 1.50
3.	736-0105	Bell Washer	29.	684-0105	Control Panel Assy - 2 Style
4.	784-5619A	Shift Handle		684-0145	Control Panel Assy- 2 Style w/light
5.	710-0459A	Hex Cap Screw 3/8-24		684-0106	Control Panel Assy - 4 Style
6.	710-0788	Tap Screw 1/4-20	30.	749-0911C	Handle LH
7.	714-0104	Cotter Pin	34.	784-5599	Handle Tab
8.	720-0232	Shift Knob	35.	710-3259	Hex Cap Screw 5/16-18 x 2.0
9.	711-0677	Ferrule	36.	710-1880	Hex Cap Screw 5/16-18 x .75
10.	726-0100	Push Cap	37.	736-0185	Flat Washer
11.	747-0921	Shift Rod	38.	731-0921	Upper Chute
12.	720-0201A	Chute Knob	39.	736-0159	5/16 Washer
13.	705-5204A	Chute Directional Control	40.	710-0451	Carriage Bolt 5/16-18 x .75
14.	747-0697	Eyebolt	41.	710-0276	Carriage Screw 5/16-18 x 1.0
-	735-0234	Grommet only	42.	720-0284	Knob
15.	684-0008A	Shift Arm Assy	43.	731-1300B	Lower Chute
16.	720-0274	Grip	44.	712-3027	Hex Lock Nut 1/4-20
17.	705-5233A	Clutch Lever Assy LH	45.	731-0851A	Flange Keeper
	705-5234A	Clutch Lever Assy RH	46.	710-3015	Hex Cap Screw 1/4-20 x .75
18.	750-1032	Spacer	47.	629-0058	Round Light Harness
19.	735-0199A	Rubber Bumper	48.	710-1652	Hex Tap Screw 1/4-20 x .625
20.	746-0778	Cable	49.	710-1003	Hex Screw
21.	705-5275	Lever Bracket LH	50.	712-0415	Hex Nut
22.	712-0429	Lock Hex Nut 5/16-18	51.	725-1300	Headlight 18 Watts
23.	736-0119	Lock Washer 5/16	52.	731-1317	Headlight Cover
24.	712-3010	Hex Nut 5/16-18	53.	736-0242	Bell Washer
25.	705-5274	Lever Bracket RH	54.	712-3068	Hex Patch Nut 5/16-18
26.	749-0910C	Handle RH	55.	736-0275	Flat Washer .344 ID x .688 OD



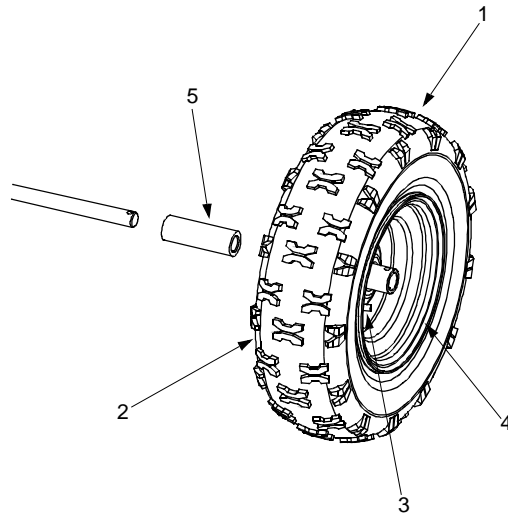
REF. NO.	PART NO.	DESCRIPTION	REF. NO.	PART NO.	DESCRIPTION
1.	618-0123	Housing—R.H.	9.	721-0325	Plug
	618-0124	Housing—L.H.	10.	721-0327	Seal-Oil
2.	710-0642	Hex Screw 1/4-20 x .75	11.	736-0351	Washer-Flat
3.	711-0908A	Spiral Axle 24"	12.	736-0369	Washer-Flat
	711-0909A	Spiral Axle 26"	13.	736-0445	Washer-Flat
	711-0910A	Spiral Axle 28"	14.	737-0168	Grease
	711-1024A	Spiral Axle 30"	15.	741-0662	Bearing-Flange
4.	714-0161	Key	16.	741-0663	Bearing-Flange
5.	715-0143	Pin-Spiral	17.	618-0120A	Ass'y. Complete 24"
6.	717-0526	Shaft-Worm		618-0121A	Ass'y. Complete 26"
7.	717-0528	Gear-Worm		618-0122A	Ass'y. Complete 28"
8.	718-0186	Collar-Thrust		618-0160A	Ass'y Complete 30"

Models 642E, 642F, 662E, 644E, 664F, & 6A4E



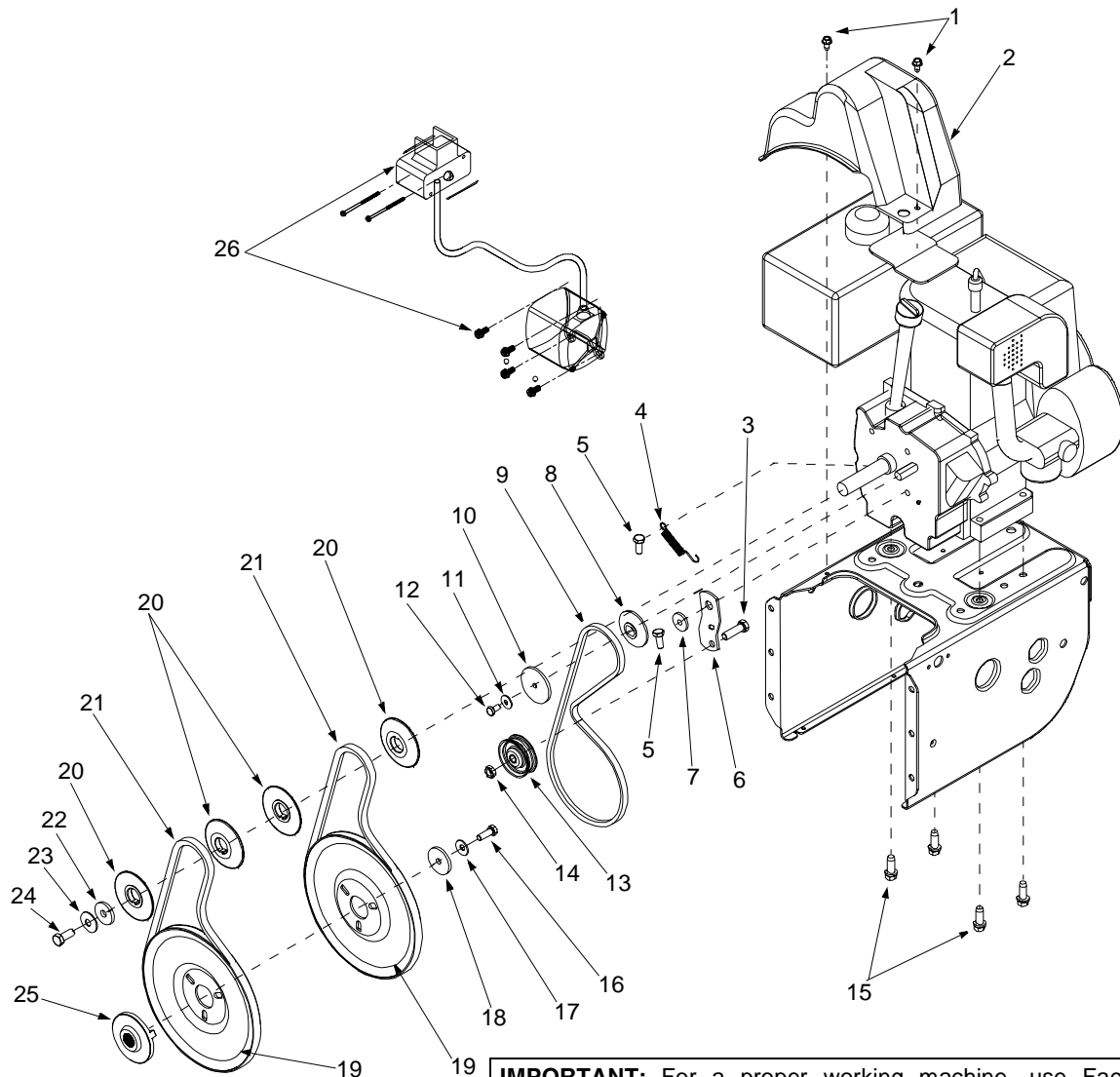
Models 642E, 642F, 662E, 644E, 664F, & 6A4E

REF. NO.	PART NO.	DESCRIPTION	REF. NO.	PART NO.	DESCRIPTION
1.	710-0599	Hex Screw	25.	715-0249	Roll Pin
2.	784-5688	Drive Cable Guide Bracket	26.	714-0143	Klik Pin
3.	784-5687A	Auger Clutch Cable Bracket	27.	684-0042C	Friction Wheel Assembly
4.	756-0625	Roller Cable	28.	656-0012A	Friction Disc Wheel
5.	738-0924	Hex Screw 1/4-28	29.	684-0013B	Wheel Shift Rod Assembly
6.	784-5630B	Frame Assembly	30.	746-0897	Drive Cable
7.	741-0563	Ball Bearing	31.	748-0190	Spacer
8.	736-0105	Bell Washer	32.	684-0021	Friction Wheel Bracket Assembly
9.	712-0116	Lock Jam Nut	33.	732-0264	Extension Spring
10.	741-0598	Hex Flange Bearing	34.	712-0711	Jam Nut 3/8-24
11.	736-0188	Flat Washer	35.	746-0898B	Drive Cable
12.	784-5689A	Front Support Guide Bracket	36.	738-0869	Axle 13" Wheels
13.	710-0538	Lock Hex Screw		738-0830	Axle 16" Wheels
14.	736-0242	Bell Washer .340 ID x .872 OD	37.	790-00010	Friction Plate
15.	714-0474	Cotter Pin	38.	735-0243B	Friction Wheel Rubber
16.	736-0160	Flat Washer .536 ID x .930 OD	39.	718-0301A	Friction Wheel Hub
17.	710-0809	Hex Washer Screw 1/4-20	40.	618-0063A	Friction Wheel Bearing
18.	784-5590	Frame Shift Bracket	41.	710-1652	Tap Screw 1/4-20
19.	784-5638	Frame Cover	42.	712-0703A	Insert Nut 5/16-18
20.	710-0599	Hex Washer Screw 1/4-20	43.	711-1364	Clevis Pin
21.	736-0351	Flat Washer .760 ID x .50 OD	44.	736-0142	Flat Washer .281 ID x .50 OD
22.	717-1445	Gear	45.	714-0507	Cotter Pin
23.	714-0126	Key	46.	790-00111	Friction Plate
24.	717-1444	7-Tooth Shaft			



Wheel Assembly					
SIZE	REF. NO. 1 WHEEL ASS'Y COMPLETE	REF. NO. 2 TIRE ONLY	REF. NO. 3 AIR VALVE	REF. NO. 4 RIM ONLY	REF. NO. 5 SLEEVE BEARING (2)
13 x 4	634-0114A	734-1732	734-0255	734-1713A	741-0401
13 x 5	734-1714A	734-1527	734-0255	734-1713A	741-0401
16 x 6.5	734-1712	734-1525	734-0255	734-1711	741-0401
16.5 x 4.8	734-1709A	734-1530	734-0255	734-1708A	741-0401

Models 642E, 642F, 662E, 644E, 664F, & 6A4E



IMPORTANT: For a proper working machine, use Factory Approved Parts.
V-BELTS are specially designed to engage and disengage safely. A substitute (non OEM) V-Belt can be dangerous by not disengaging completely.

REF. NO.	PART NO.	DESCRIPTION	REF. NO.	PART NO.	DESCRIPTION
1.	710-1652	Hex Washer Screw 1/4-20 x .50	14.	712-0181	Lock Jam Nut 3/8-16
2.	731-1324	Belt Cover	15.	710-0654A	Hex Washer Screw 3/8-16 x 1.0
3.	710-3005	Hex Cap Screw 3/8-16 x 1.25	16.	710-1245B	Hex Lock Screw 5/16-24 x .875
4.	732-0710	Spring Extension	17.	736-0242	Bell Washer .340 ID x .872 OD
5.	710-0627	Hex Screw 5/16-24 x .75	18.	736-0505	Flat Washer .341 ID x .50 OD
6.	05896A	Drive Clutch Idler Bracket	19.	756-0967	Pulley Auger
7.	748-0234	Shoulder Spacer	20.	756-0569	Pulley Half
8.	756-0987	Pulley Half	21.	754-0430B	V-Belt
9.	754-0346	Belt	22.	736-0247	Flat Washer
10.	756-0986	Pulley Half	23.	736-0331	Bell Washer .39 ID x 1.13 OD
11.	736-0270	Bell Washer	24.	710-0696	Hex Cap Screw 3/8-24 x .875
12.	710-0230	Hex Cap Screw	25.	748-0360	Pulley Adapter
13.	756-0313	Flat Idler	26.	OEM-390-987	Electric Start