



Service Kit 753-04023

CODE: R-474

DATE: March 6, 2002

SUBJECT: Single Speed Transmission -
Upper Housing

MODELS 600 Series AutoDrive Lawn
AFFECTED: Tractors

Use this Upper Housing Assembly when replacing 719-0391A Upper Housing.

Typical Installation Time: 120 Minutes

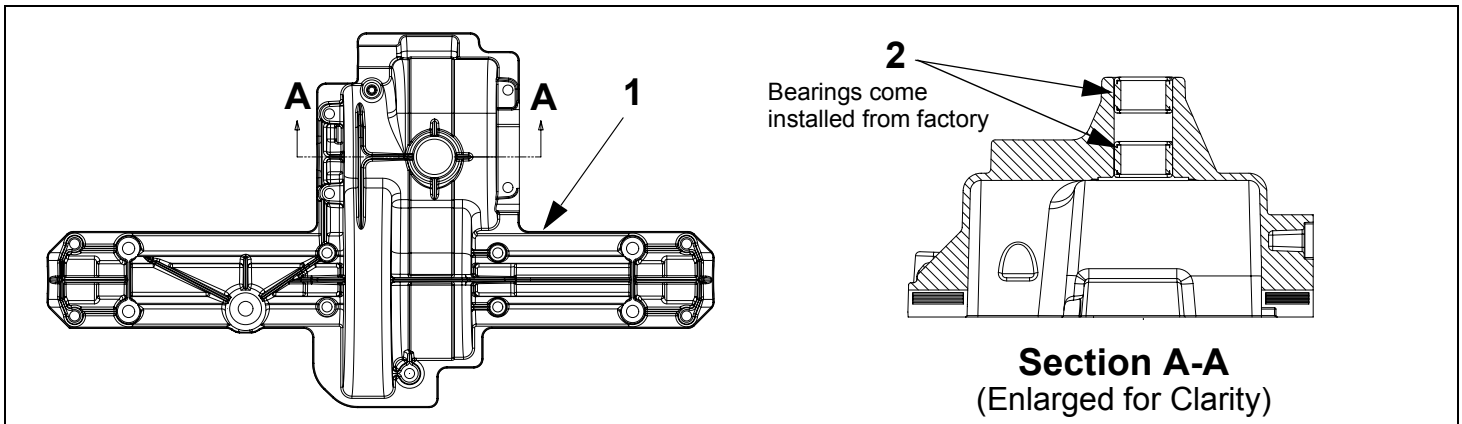


FIGURE 1

Service Kit Contents

REF. NO.	PART NUMBER	QTY	DESCRIPTION
1	719-0580	1	Housing, Upper
2	741-0335	2	Bearing, Needle, .625 ID x .813 OD x .495
3	736-0335	1	Washer, Thrust (Not Shown)
4	736-0349	1	Washer, Flat (.0200 Thk.) (Not Shown)
5	736-0336	1	Washer, Flat (.0300 Thk.) (Not Shown)
6	736-0337	1	Washer, Flat (.0400 Thk.) (Not Shown)

Upper Housing Input Shaft Installation

1. Clean and inspect Input Shaft Assembly removed from old upper transmission housing. If splines are worn or damaged, or bearing surfaces are worn or damaged, replace as necessary.
2. Lube both faces of Thrust Washer, Item 3, and heel side of pinion gear with grease (Not supplied). Place Thrust washer over Input Shaft and onto heel of pinion gear. See Figure 2.
3. Prior to installing Input Shaft Assembly into new Upper Housing, Item 1, lube bearing faces of Input Shaft with grease (Not supplied).
4. Install lubed Input Shaft Assembly into Upper Housing from inside of the housing. CAUTION: Be careful not to damage bearings.
5. Re-install the snap ring removed from the threaded end of the input shaft during disassembly of the old upper housing.
6. Pull up on the Input Shaft and measure the gap between the bottom of the snap ring and the top of the upper housing. This gap measurement is the Input Shaft "end play".
7. Using the washers, Items 4, 5 and 6, as needed adjust (shim) the gap so that the "end play" is only .005 / .015".

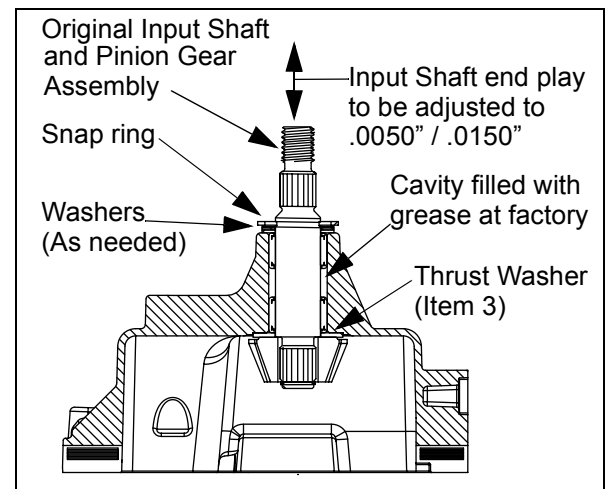


FIGURE 2