



Service Kit 753-04376

CODE: PE-127

DATE: February 3, 2003

SUBJECT: 38" Deck Shell Replacement

MODELS 400 and 600 Series Box
AFFECTED: Frame Riders

PURPOSE: Use this kit when it is necessary to replace the P/N's 17996, 17717, or 17503B 38 inch deck shell.

NOTE: These materials are prepared for use by trained technicians who are experienced in the service and repair of equipment of the kind described in this publication, and are not intended for use by untrained or inexperienced individuals. Such individuals should seek the assistance of an authorized service technician or dealer.

NOTE: Save this Instruction Sheet. Refer to it when ordering replacement parts.

Typical Installation Time: N/A

Service Kit Contents

| REF. NO. | PART NUMBER | QTY | DESCRIPTION |
|----------|----------------|-----|------------------------------------|
| 1* | 683-0129A-0637 | 1 | 38" Deck Shell, Black |
| 2* | 618-0138A | 2 | Spindle Assembly, 5.0" Dia. Pulley |
| 3* | 712-0417A | 2 | Hex Flange Nut, 5/8"-18 |
| 4* | 742-0610A | 2 | Blade, 19.38", Star, 3 In 1 |
| 5 | 783-0343 | 2 | Belt Cover, 5.0" Dia. |
| 6* | 710-1260A | 12* | Screw, 5/16-18 x .75 HX INDWSH |

* - Denotes items pre-assembled at the factory. There are four (4) Screws (Ref. No. 6) loose in the kit. These are for mounting the Belt Covers (Ref. No. 5).

Deck Assembly:

- The deck has been partially assembled at the factory.
- Ensure that the blade mounting Hex Flange Nuts (Ref. No. 3) have been torqued to 70-90 ft-lbs. (840-1080 in-lbs.) each.
- You will need to transfer the side discharge chute deflector hardware and both deck wheels from the old deck to the new deck.
- Remove the PTO drive belt from the old deck and place it around the new deck's Spindle Assembly (Ref. No. 2) pulleys.
- Install a Belt Cover (Ref. No. 5) at the left hand Spindle Assembly (Ref. No. 2) using two (2) 5/16"-18 self tapping Screws (Ref. No. 6). Torque to 17-25 ft.-lbs. (200-300 in-lbs)
- Ensure that the belt is properly seated into the "V" of the pulley as you place the Belt Cover over the pulley. The Belt Cover acts as the belt keeper.
- Repeat for the right hand Spindle Assembly.

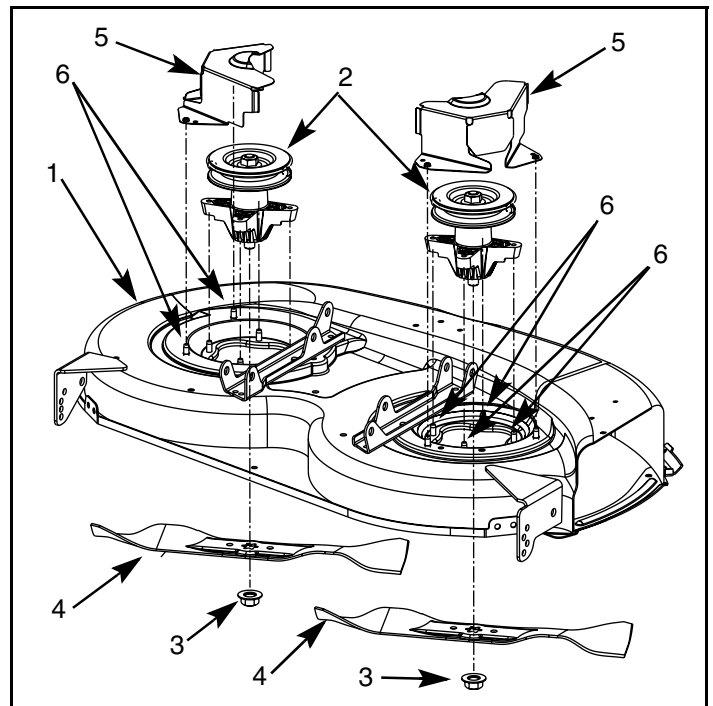


Figure 1

- This completes the assembly of the deck.
- Refer to your Owner's Manual for reinstalling and adjustment of the deck to your tractor.

IMPORTANT: When performing the deck engagement adjustment ensure that the blades fully disengage and come to a quick stop when moving the deck engagement/lift lever to the **BLADES STOP** position.