



Service Kit

753-04400

Code: ST-175

Date: 9/09/2003

Subject: 42" Snow Thrower Attachment
Frame Attach Rod and Adjustable Clutch Rod

Models Affected: OEM-190-627; 190-627-000

PURPOSE: Use this service kit when installing model year 2002 and prior model OEM-190-627 42" Two-Stage Snow Thrower Attachment onto a 2003 Model Year 660-699 Series Box Frame Style Lawn Tractor. The 2003 Model Year Lawn Tractors design has evolved to where the Running Board Support Rod is no longer required and the Adjustable Clutch Rod has been changed to accommodate the 2003 model year 660-699 Series Lawn Tractors. However, these items are necessary for mounting and setting the engage and disengage adjustment for the snow thrower attachment.

NOTE: *Save this Instruction Sheet. Refer to it when ordering replacement parts.*

Service Kit Contents

REF. NO.	PART NUMBER	QTY	DESCRIPTION
1	747-04125	1	Support Rod
2	747-04126	1	Adjustable Clutch Rod
3	714-0145	2	Hair Pin Clip; .092 x 1.64 Lg.
4	769-00900	1	Service Kit Instruction Sheet

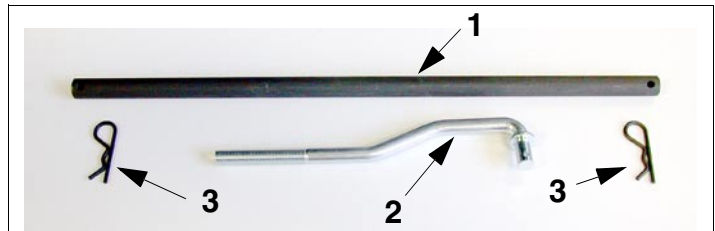


FIGURE 1

Installing Support Rod (Refer to Figure 2)

1. Look beneath the tractor's running boards and locate the Support Rod mounting holes in the frame and running boards.
2. Inset a Hair Pin Clip (Item 3) into the hole on one end of the Support Rod (Item 1).
3. Insert the Support Rod (Item 1) into the hole of your tractor's frame/running board found beneath the right-hand running board.

NOTE: *Left and right sides are determined from the tractor's operator position.*

NOTE: *If difficulty is encountered feeding the rod through the tractor's frame, loosen a few of the nuts which secure either running board to the tractor, to provide greater flexibility. Afterwards, **be certain to retighten any nuts loosened during installation.***

4. Carefully feed the Support Rod through to the corresponding hole found on the tractor's frame/running board, beneath the left side running board.
5. Install the remaining Hairpin Clip, (Item 3) in the hole on the end of the Support Rod on the left side to secure the rod in place.

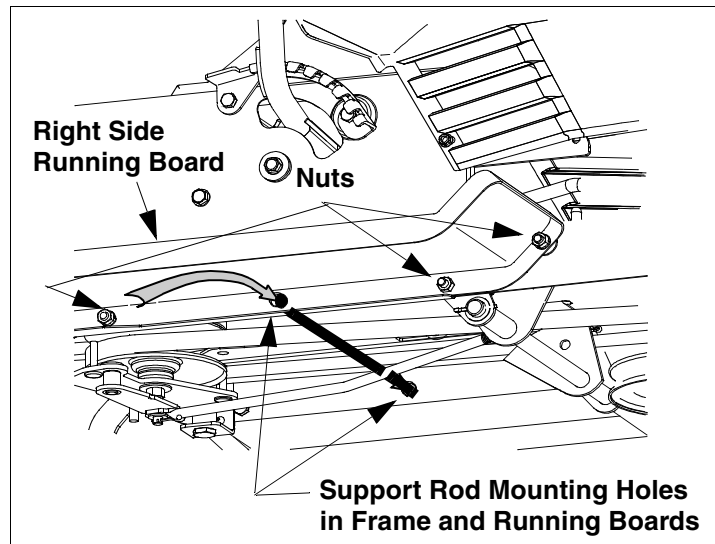


FIGURE 2

Replacing The Adjustable Clutch Rod

6. The new offset Adjustable Clutch Rod (Item 2) is provided to replace the straight Clutch Adjustment Control Rod, P/N 747-0533, that came with the Model Year 2002 and prior 42" Snow Thrower Attachment. Refer to the 42" Snow Thrower's Owner's Manual illustrated parts breakdown to locate the Clutch Adjustment Control Rod on the left side of the snow thrower's undercarriage assembly.
7. Remove the ferrule, P/N 711-0198, from the existing Clutch Adjustment Control Rod, P/N 747-0533, located on

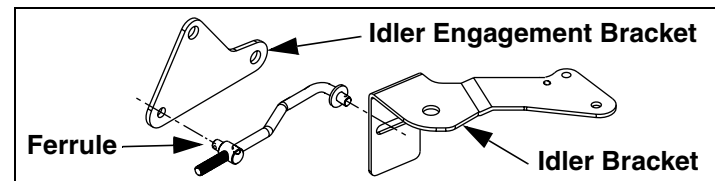


FIGURE 3

the Idler Engagement Bracket, P/N 783-0359, on the undercarriage assembly. Discard the old Clutch Adjustment Control Rod, P/N 747-0533. Install the ferrule onto the new Adjustable Clutch Rod (Item 1) and reinstall the new Adjustable Clutch Rod with ferrule onto the Idler Engagement Bracket. See Figure 3.