



Service Kit 753-04891

Date: 12/16/2004

Subject: Bagger Support Bracket Upgrade

Models Affected: Twin Rear Bagger Accessory OEM-190-180.

Read through and understand these instructions completely before proceeding.

PURPOSE:

The new two hole support brackets, included in this kit, are provided as replacements for the single hole support brackets 783-04132 and 783-04137 found in the OEM-190-180 Twin Rear Bagger Accessory package. See Figure 1. The two hole brackets are to be used for **660-690 Series (Box Frame style) lawn tractors** with 38 and 42 inch cutting decks.

See service kit 753-05471 for the 700 Series Lawn Tractors

NOTE: Save this Instruction Sheet. Refer to it when ordering replacement parts.

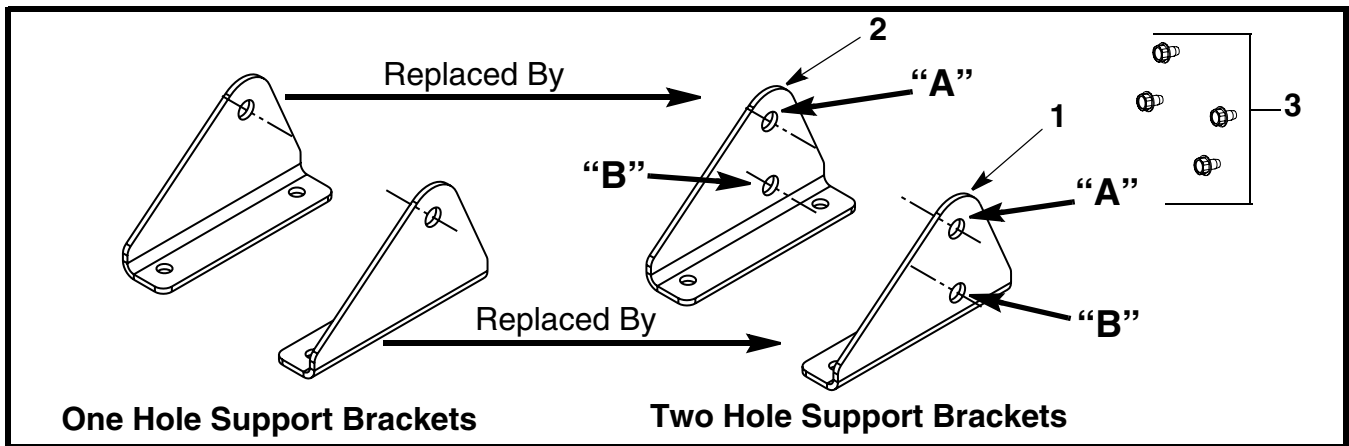


FIGURE 1

Service Kit Contents (See Figure 1)

ITEM NO.	PART NUMBER	QTY	DESCRIPTION
1	783-04132A	1	SUPPORT BRACKET, 2 HOLE RH
2	783-04137A	1	SUPPORT BRACKET, 2 HOLE LH
3	710-0726	4	SCREW, SELF-TAP 5/16-12 x .75
4	*	1	THIS INSTRUCTION SHEET

* - Not Available Separately

Instructions:

1. Locate both of the one hole support brackets supplied in the OEM-190-180 Twin Rear Bagger Accessory carton and discard.

For Tractor Model Series 660 through 690 (Box Frame style)

2. Install Shoulder Screw, 738-1020, in the support bracket's outer hole "A". See Figure 1.

3. Refer to the Operator's Manual for the assembly instructions of the Twin Rear Bagger using the new two hole support brackets in lieu of the one hole support brackets.