



Service Kit 753-05319

Date: 2/17/2006

Subject: Service Replacement for the
717-0906 and 717-0906A
Spindle Assemblies

Models: N/A
Affected:

Read through and understand these instructions completely before proceeding with repair.

PURPOSE: The contents of this kit are provided as replacement for the 717-0906 and 717-0906A Spindle assemblies which are No-Longer-Available.

NOTE: *These materials are prepared for use by trained technicians who are experienced in the service and repair of equipment of the kind described in this publication, and are not intended for use by untrained or inexperienced individuals. Such individuals should seek the assistance of an authorized service technician or dealer.*

NOTE: *Save this Instruction Sheet. Refer to it when ordering replacement parts.*

Service Kit Contents (See Figure 1)

ITEM NO.	PART NUMBER	QTY	DESCRIPTION
1	*	1	BEARING ASSEMBLY
2	*	4	SCREW:5/16"-18 x .875: GR5:STD
3	*	4	NUT:FLANGLOCK:5/16"-18:GRF
4	*	1	SPINDLE: BLADE
5	*	1	PLATE: ADAPTER
6	*	1	SHIELD: BEARING
7	769-02105	1	THIS INSTRUCTION SHEET

* - Components denoted with an "*" are not available separately. Order Service Kit 753-05319.

Pre-service Preparation:

Place rider on a level surface, turn off engine, remove ignition key and set parking brake on.

Removal Instructions:

1. Remove cutting deck from under rider. Refer to the Operator's Manual - Maintenance section on how to remove the cutting deck.

2. Securely position the mower deck so that there is access to both the underside and top side of the deck.

3. Secure the blade from rotating by using a Blade Removal Tool. Optional: Wedge a solid length of 2"x4" or 4"x4" between the blade and the deck so as to keep the blade from rotating while loosening the pulley and blade retaining hardware.

CAUTION! In Steps 4 and 6 the hex nut may require a high level of torque to break loose. Ensure the blade is securely locked from rotating, see Step 3. Keep hands clear of the blade in case the blade should break free and rotate. DO NOT HOLD THE BLADE WITH YOUR HAND.

4. Remove and retain the hex nut and lock washer that retains the brake disc and V-pulley to the blade spindle.

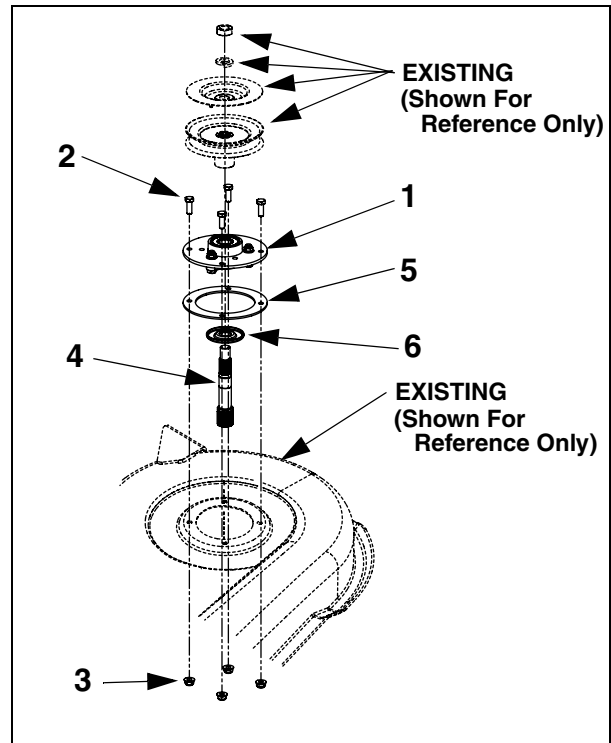


FIGURE 1

5. Remove and retain the brake disc and V-pulley.

6. Remove and retain the blade adapter with blade, retaining screw and lock washer from the damaged spindle.

7. Remove the four (4) hex screws, hex nuts and bell washers/lock washers that retain the spindle/bearing assembly to the deck. Discard this hardware.

8. Remove and discard the spindle/bearing assembly from the deck.

Installation Instructions:

9. Locate the new Blade Spindle, Item 4, the new Bearing Assembly, Item 1 and the new Bearing Shield, Item 6. They may be assembled or shipped separate.

10. The blade spindle is a snug slip fit with the bearings. If the parts are already assembled proceed to Step 11.

If the parts are separate, ensure that the spacer between the two bearings in the bearing assembly is aligned with the bearing bores. Install the Bearing Shield on to the Blade Spindle then install the Blade Spindle into the Bearing Assembly as shown in Figure 2.

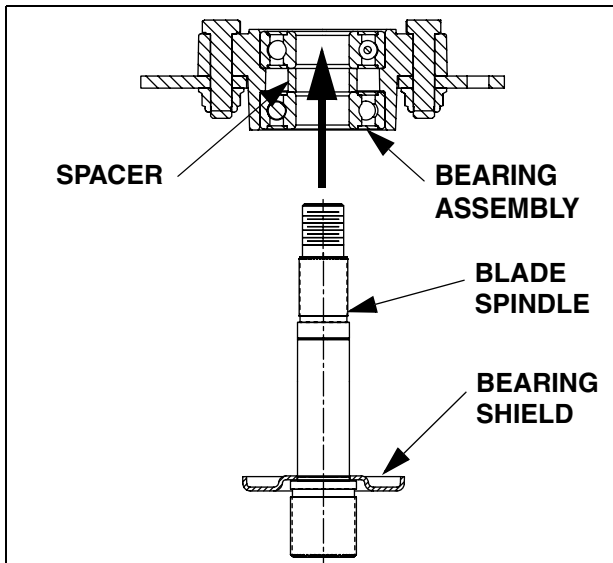


FIGURE 2

11. Install two (2) of the Hex Screws, Item 2, through opposite side holes in the Bearing Assembly. Slip the Adapter Plate, Item 5, onto the two screws and install the spindle assembly onto the top side of the cutting deck. See Figure 3.

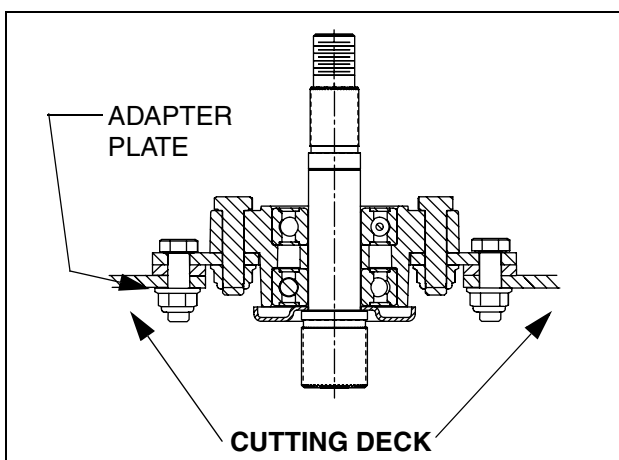


FIGURE 3

12. Secure the two screws using the new Hex Flange Lock Nuts, Item 3. Install the remaining two screws and secure with the remaining two lock nuts. Torque to 200-300 in-lbs.

13. Inspect the blade adapter for damage and/or cracks. Inspect blade for excessive wearing or damage. Replace if required. Ensure new or sharpened blade is balanced before installing. If a new blade adapter is required, torque the blade adapter-to blade retaining hardware to 200-300 in-lbs.

14. Before reassembling the blade with blade adapter to the unit, lubricate the spindle's splined end and the inner splined surface of the blade adapter with a light oil (or engine oil). Do the same for the "V" pulley and spindle spline for the "V" pulley.

15. Re-install the blade adapter with blade onto the serrated end of the blade spindle. Secure, finger tight only, with the lock washer and hex screw removed in Step 6.

16. Secure the blade from rotating by using a Blade Removal Tool. Optional: Wedge a solid length of 2"x4" or 4"x4" between the blade and the deck so as to keep the blade from rotating while loosening the pulley and blade retaining hardware. **DO NOT HOLD THE BLADE WITH YOUR HAND.**

17. From the underside of the deck, keep the blade spindle from backing out of the bearing assembly while re-installing the "V" pulley, brake disc, bell washer and hex nut. Tighten securely.

18. Torque the blade retaining center screw to 450-600 in-lbs. Remove the Blade Removal Tool or blocking.

19. Re-install cutting deck under rider in the reverse order from deck removal performed in Step 1. Refer to Operator's Manual - Maintenance section.

20. This completes the installation of this service kit.