



# Service Kit 753-05351

Date: 3/14/2006

Subject: Service Replacement for the  
618-04229, 618-04229A and  
618-04229B

Models Affected: N/A

**Read through and understand these instructions completely before proceeding with repair.**

**PURPOSE:** This service kit is the service replacement transmission for the 618-04229, 618-04229A and 618-04229B which are no longer available.

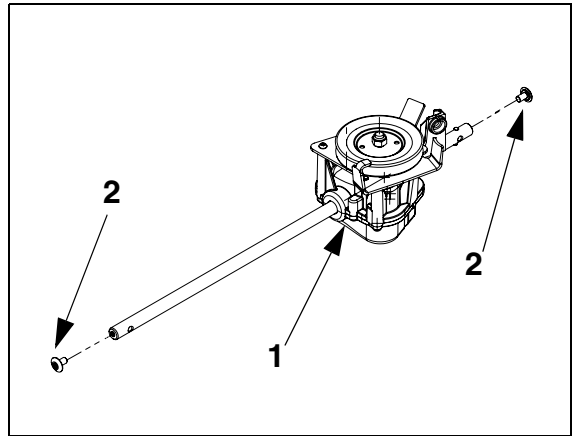
**NOTE:** *These materials are prepared for use by trained technicians who are experienced in the service and repair of equipment of the kind described in this publication, and are not intended for use by untrained or inexperienced individuals. Such individuals should seek the assistance of an authorized service technician or dealer.*

**NOTE:** *Save this Instruction Sheet. Refer to it when ordering replacement parts.*

## Service Kit Contents

(See Figure 1)

ITEM NO.	PART NUMBER	QTY	DESCRIPTION
1	618-04378	1	TRANSMISSION: SINGLE SPEED: RWD
2	710-04531	2	SCREW: 1/4"-20 x .390: PANTRXI
3	769-02111	1	THIS INSTRUCTION SHEET



**FIGURE 1**

### Installation Instructions:

1. When installing the wheel drive pinion gears onto the ends of the transmission's axle, apply a light coating of anti-seize (not supplied) to both ends under the pinion gears.

2. Secure the pinion gears to the transmission's axle with the Pan Head Torx Screws. Item 2, supplied in this kit. The original screws used with the old 618-04229, 618-04229A and 618-04229B were M6 metric screws. The internal threaded ends of the new transmission are 1/4"-20 thread.