

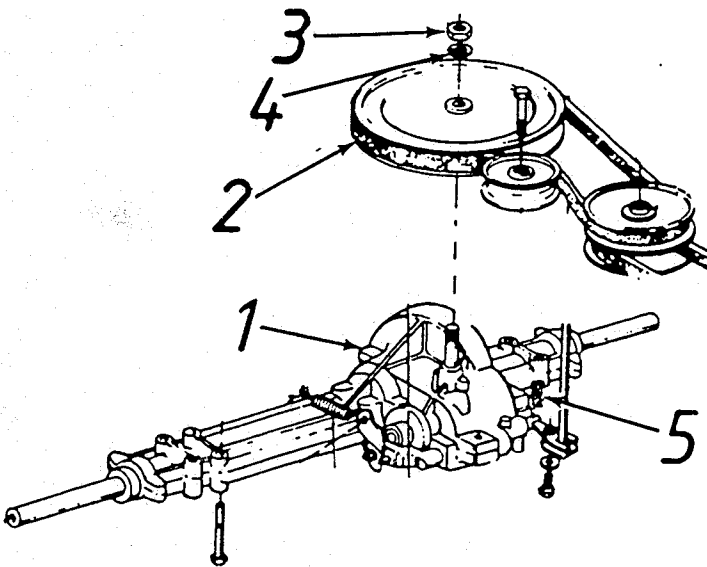
SERVICE KIT

753-0536

CODE: R-327
 DATE: JANUARY 29, 1992
 (Revised May 30, 1995)
 SUBJECT: REPLACEMENT TRANSAXLE

Install Service Kit 753-0536 when replacing transaxle part number 717-0542. Kit contains updated transaxle, part number 618-0163. The kit also contains two transaxle pulleys. When installing the kit, select transaxle pulley 656-0004 if lawn tractor is equipped with 20" x 10" rear wheels, and transaxle pulley 656-0005 if lawn tractor is equipped with 18" x 9.5" rear wheels. (Refer to illustrations below.)

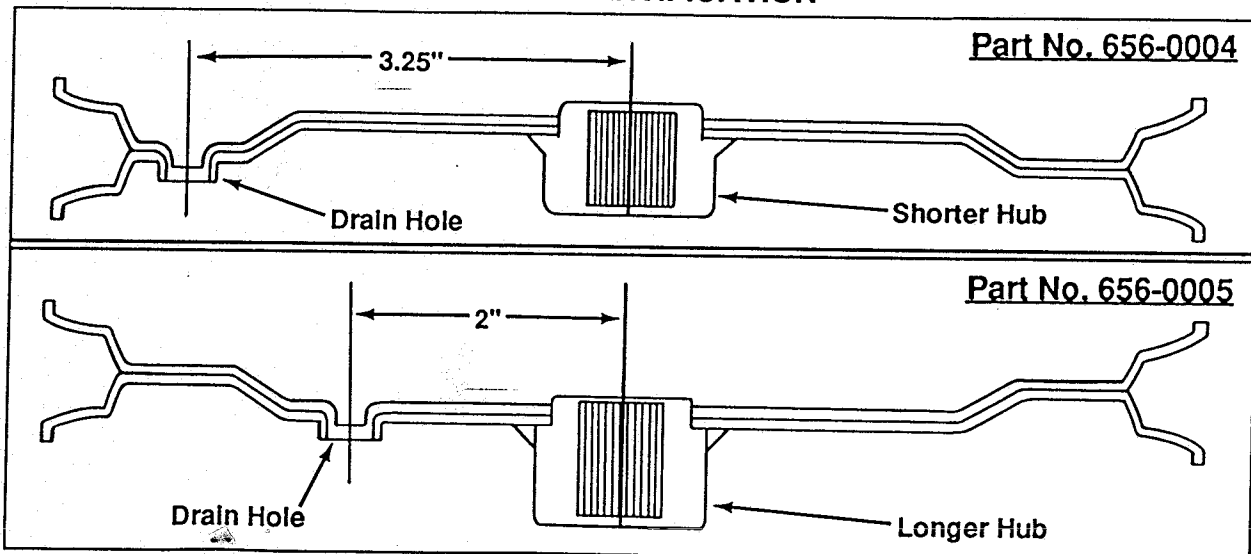
Keep the parts list attached for future reference if replacement parts are ever needed for the new transaxle.



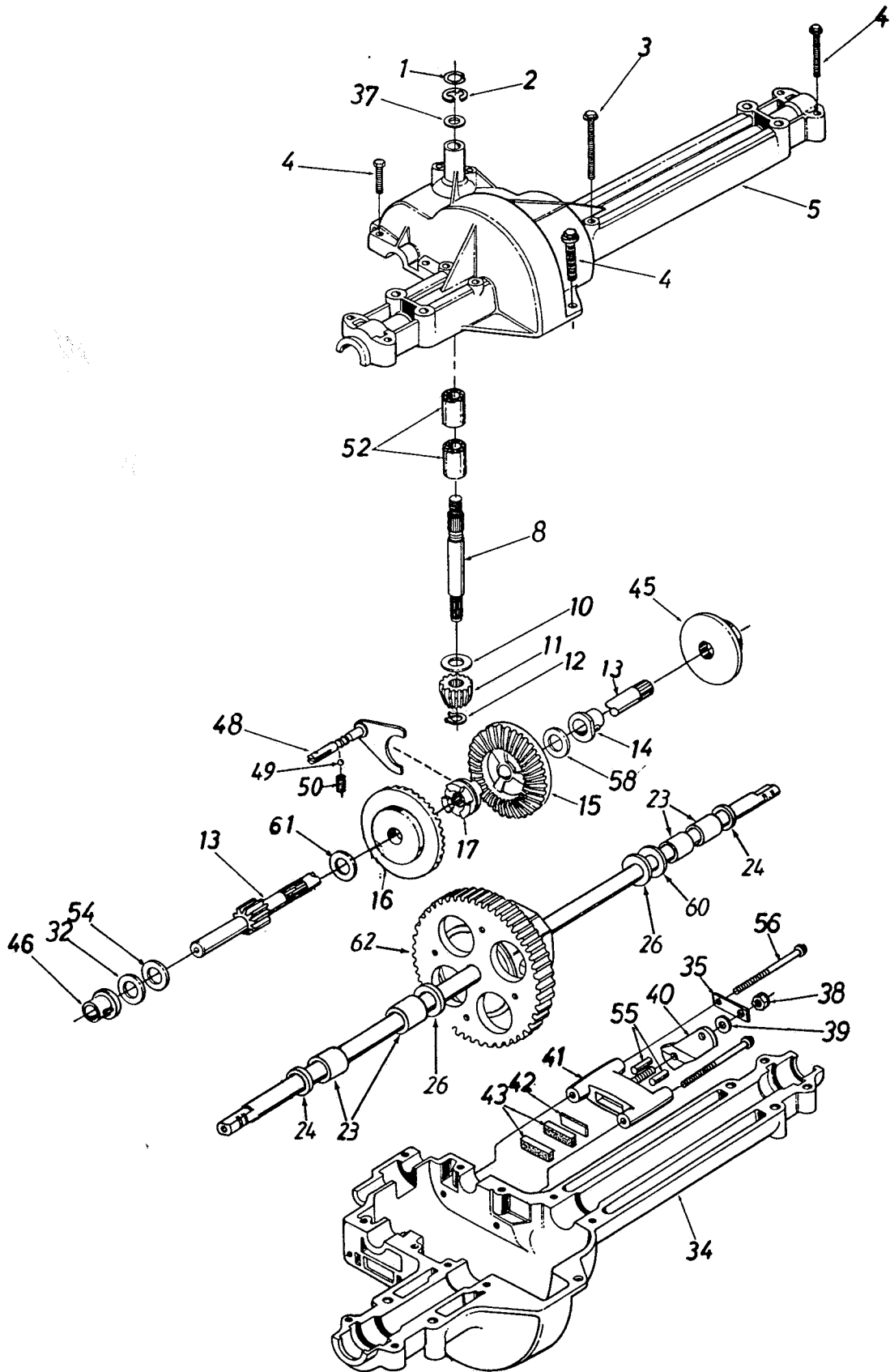
SERVICE KIT 753-0536 CONSISTS OF:

REF.	PART NO.	DESCRIPTION	QTY.
1	618-0163	Transaxle	1
2	656-0004	Transaxle Pulley-Splined (use w/ 20" x 10" rear wheels)	1
	656-0005	Transaxle Pulley-Splined (use w/ 18" x 9.5" rear wheels)	1
3	712-3035	Nut	1
4	736-0427	Belleville Washer	1
5	714-0209	Internal Cotter Pin	1
-	770-8143K	Kit Sheet	1

PULLEY IDENTIFICATION



SINGLE SPEED TRANSAXLE—R.H.
MODEL 618-0163



**PARTS LIST FOR
SINGLE SPEED TRANSAXLE RIGHT HAND 618-0163**

REF. NO.	PART NO.	CODE	DESCRIPTION	REF. NO.	PART NO.	CODE	DESCRIPTION
1	732-0614		Wire Ring	39	736-0371		FI-Wash. .344" I.D. x .875" O.D.
2	716-0231		"E"—Ring	40	717-0700		Actuating Arm
3	710-1026		Hex Wash. TT-Tap Scr. 1/4-20 x 1.75" Lg.*	41	761-0198		Brake Yoke
4	710-0809		Hex Tap Scr. 1/4-20 x 1.25" Lg.	42	717-0682		Puck Plate
5	719-0314		Upper Housing	43	717-0678		Brake Puck
8	711-0861		Input Shaft	45	761-0202		Brake Disc
10	736-0335		Thrust Washer 5/8" I.D. x 1.25" O.D.	46	741-0337		Flange Bearing 5/8" I.D. x 15/16" Lg.
11	717-0633		Pinion Input 14T	48	611-0011		Shift Fork Ass'y.
12	716-0171		Retaining Ring	49	741-0862		Ball Detent .250" Dia.
13	711-1003		Drive Shaft—R.H. Brake	50	732-0863		Spring Detent
14	741-0336		Flange Brg. 5/8" I.D. x 3/4" Lg.*	52	741-0335		Needle Brg. 5/8" I.D. x 1/2" Lg.
15	717-1362		Bevel Gear 42T Small I.D.	54	736-0349		FI-Wash. 5/8" I.D. x 1" O.D. x .020 Thk.
16	717-1363		Bevel Gear 42T Large I.D.				Actuating Pin 5/16" Dia.
17	718-0228		Clutch Collar	55	741-0343		Hex Wash Hd. Self-Tap Scr. 1/4-20 Thd.
21	710-0862A		Pan Head Scr. 1/4-20 x .50" Lg. w/Patch	56	710-1206		FI-Wash. 5/8" I.D. x 1" O.D. x .020 Thk.
23	741-0340		Sleeve Bearing 3/4" I.D. x 1.0" Lg.	58	736-0349		Thrust Wash. 5/8" I.D. x 1" O.D. x .025" Thk.
24	721-0338		Oil Seal 3/4" I.D.		736-0495		Washer (See Below)
26	736-0445		FI-Wash. .760" I.D. x 1.5" O.D.	60	**		Lower Housing
32	**		Washer (See Below)	61	736-0519		Anti-Rotation Brkt.
34	719-0313		Lower Housing	62	618-0162	N	Washer (See Below)
35	718-0150		Anti-Rotation Brkt.	—	737-0148		Thrust Washer
37	**		Washer (See Below)				Differential Ass'y.
38	712-0273		Hex Nut 5/16-24 Thd.				Grease—Shell (15 oz.)

**Ref. No. 32 736-0495 Thrust Wash. 5/8" I.D. x 1" O.D. x .025" Thk.
736-0336 FI-Wash. 5/8" I.D. x 1" O.D. x .030" Thk.
736-0494 Thrust Wash. 5/8" I.D. x 1" O.D. x .035" Thk.
736-0337 FI-Wash. 5/8" I.D. x 1" O.D. x .040" Thk.

**Ref. No. 37 736-0349 FI-Wash. 5/8" I.D. x 1" O.D. x .020" Thk.
736-0336 FI-Wash. 5/8" I.D. x 1" O.D. x .030" Thk.
736-0337 FI-Wash. 5/8" I.D. x 1" O.D. x .040" Thk.

**Ref. No. 60 736-0492 FI-Wash. .76" I.D. x 1.5" O.D. x .010" Thk.
736-0493 FI-Wash. .76" I.D. x 1.5" O.D. x .020" Thk.
736-0351 FI-Wash. .76" I.D. x 1.5" O.D. x .030" Thk.
736-0445 FI-Wash. .76" I.D. x 1.5" O.D. x .060" Thk.