

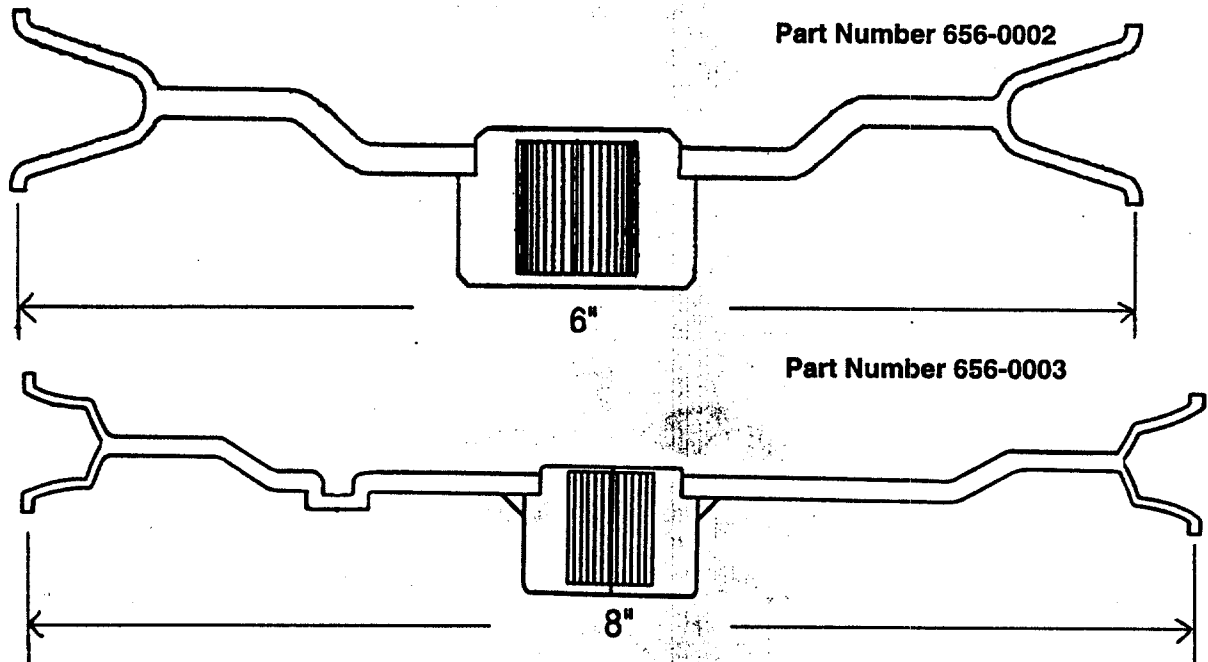
# Service Kit 753-0537

Code: R-368

Date: September 22, 1995

Subject: Replacement Transaxle

Install Service Kit 753-0537 when replacing transaxle part number 717-0775. Kit contains updated transaxle, part number 618-0165A. The kit also contains two transaxle pulleys. When installing the kit, select transaxle pulley 656-0003 if repairing a 300 Series Rider, and transaxle pulley 656-0002 if repairing a 500 Series (Variable Speed Only). REFER TO ILLUSTRATIONS BELOW.

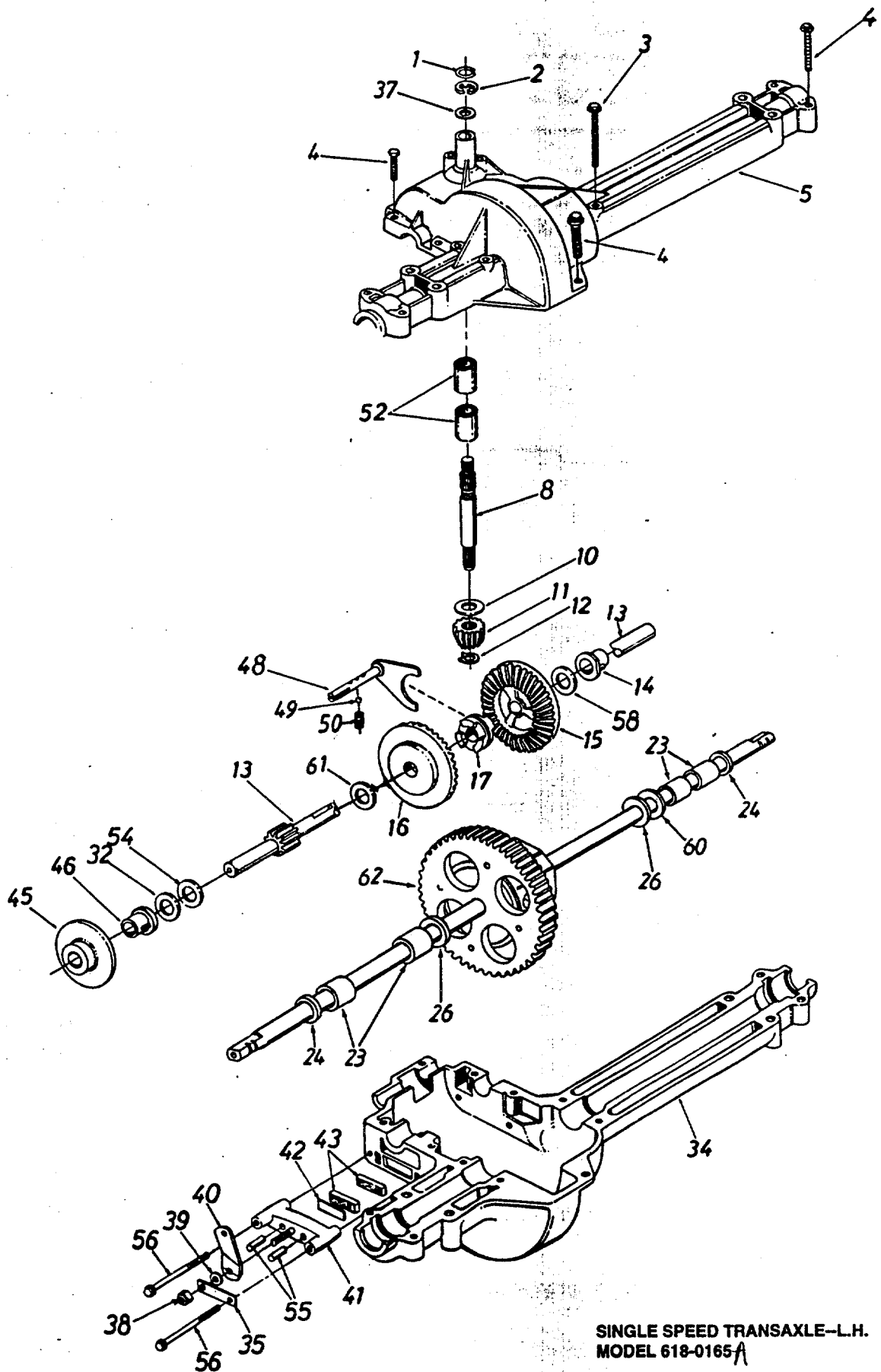


Kit 753-0537 consists of :

Ref.	Part No.	Description	Qty.
1	618-0165A	Transaxle	1
2	656-0002	Transaxle Pulley - 500 Series unit	1
	656-0003	Transaxle Pulley - 300 Series unit.	1
3	712-3035	Hex Jam Nut 9/16-18	1
4	736-0427	Bell Washer .567 I.D. x 1.125	1
5	770-0232L	Kit sheet 753-0537	1

The 656-0002 pulley is 6" in diameter and is used on the 500 Series units. The 656-0003 pulley is 8" in diameter and is used on the 300 Series units.

Keep the parts list attached for future reference if replacement parts are ever needed for the new transaxle.



SINGLE SPEED TRANSAXLE--L.H.  
 MODEL 618-0165A