

SERVICE KIT

753-0539

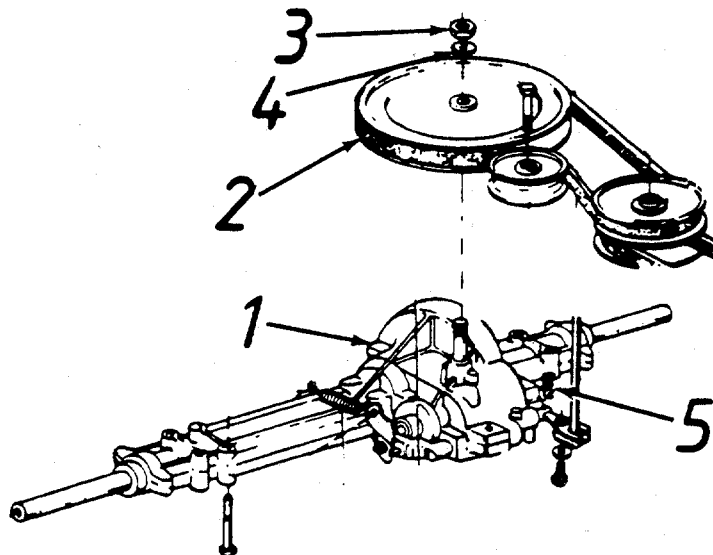
CODE: R-328
DATE: FEBRUARY 21, 1992
SUBJECT: REPLACEMENT TRANSAXLE

Install Service Kit 753-0539 when replacing transaxle part number 717-1050. Kit contains updated transaxle, part number 618-0084. The kit also contains one splined pulley, part number 756-0950, and one internal cotter pin, part number 714-0209. (Refer to illustration below.)

Keep the parts list attached for future reference if replacement parts are ever needed for the new transaxle.

SERVICE KIT 753-0539 CONSIST OF:

REF. NO.	PART NO.	DESCRIPTION	QTY.
1	618-0084	Transaxle	1
2	756-0950	Transaxle Pulley-Splined	1
3	712-3035	Nut	1
4	736-0427	Belleville Washer	1
5	714-0209	Internal Cotter Pin	1



**PARTS LIST FOR
SINGLE SPEED TRANSAXLE RIGHT HAND 618-0084**

REF. NO.	PART NO.	CODE	DESCRIPTION	REF. NO.	PART NO.	CODE	DESCRIPTION
1	732-0614		Wire Ring	33	736-0445		FI-Wash. .760" I.D. x 1.5" O.D.
2	716-0231		Retaining - Ring	34	719-0313	N	Lower Housing
3	710-1026		Hex Wash. TT-Tap Scr. 1/4-20 x 1.75" Lg. *	35	718-0150		Anti-Rotation Brkt.
4	710-0809		Hex Tap Scr. 1/4-20 x 1.25" Lg.	38	712-0273		Hex Nut 5/16-24 Thd.
5	719-0314	N	Upper Housing	39	736-0371		FI-Wash. .344" I.D. x .875" O.D.
8	711-0861		Input Shaft	40	717-0700		Actuating Arm
10	736-0335		Thrust Washer 5/8" I.D. x 1.25" O.D.	41	761-0198		Brake Yoke
11	717-0633		Pinion Input 14T	42	717-0682		Puck Plate
12	716-0108		Retaining Ring	43	717-0678		Brake Puck
13	711-0943	N	Drive Shaft - R.H. Brake	44	717-0538		Axle L.H. Ass'y.
14	741-0336		Flange Brg. 5/8" I.D. x 3/4" Lg. *	45	717-0677	N	Brake Disc
15	717-1362	N	Bevel Gear 42T Small I.D.	46	741-0337		Flange Bearing 5/8" I.D. x 15/16" Lg.
16	717-1363	N	Bevel Gear 42T Large I.D.	48	611-0011		Shift Fork Ass'y.
17	718-0228	N	Clutch Collar	49	741-0862		Ball Detent .250" Dia.
18	717-1020		Miter Gear 15T (H.D.)	50	732-0863		Spring Detent
19	716-0184		Snap Ring	51	714-0169		#9 Hi-Pro Key 3/16" x 3/4" Dia. HT
20	741-0589		Thrust Bearing	52	741-0335		Needle Brg. 5/8" I.D. x 1/2" Lg.
21	710-0862A		Pan Head Scr. 1/4-20 x .50" Lg. w/Patch	54	736-0349		FI-Wash. 5/8" I.D. x 1" O.D. x .020 Thk.
22	717-0539		Axle R.H. Ass'y.	55	741-0343		Actuating Pin 5/16" Dia.
23	741-0340		Sleeve Bearing 3/4" I.D. x 1.0" Lg.	56	710-1206		Hex Wash. Hd. Self-Tap Scr. 1/4-20 Thd.
24	721-0179		Oil Seal 3/4" I.D.	57	717-1364	N	Differential Gear 58T
25	750-0767	N	Axle Spacer	58	736-0349		FI-Wash. 5/8" I.D. x 1" O.D. x .020 Thk.
26	736-0445		FI-Wash. .760" I.D. x 1.5" O.D.		736-0495		Thrust Wash. 5/8" I.D. x 1" O.D. x .025" Thk.
27	711-0918		Cross Shaft				Washer (See Below)
28	717-1252		Differential Can Ass'y.	60	**		
32	**		Washer (See Below)	-	737-0148		Grease - Shell (15 oz.)

** Ref. No. 32 736-0495 Thrust Wash. 5/8" I.D. x 1" O.D. x .025" Thk.
 736-0336 FI-Wash. 5/8" I.D. x 1" O.D. x .030" Thk.
 736-0494 Thrust Wash. 5/8" I.D. x " O.D. x .035" Thk.
 736-0337 FI-Wash. 5/8" I.D. x 1" O.D. x .040" Thk.

** Ref. No. 60 736-0492 FI-Wash. .76" I.D. x 1.5" O.D. x .010" Thk.
 736-0493 FI-Wash. .76" I.D. x 1.5" O.D. x .020" Thk.
 736-0351 FI-Wash. .76" I.D. x 1.5" O.D. x .030" Thk.
 736-0445 FI-Wash. .76" I.D. x 1.5" O.D. x .060" Thk.