

SERVICE KIT

753-0549

CODE: SP-129
DATE: FEBRUARY 4, 1992
SUBJECT: Model TMO-3746606 -
 Replacement Baffle

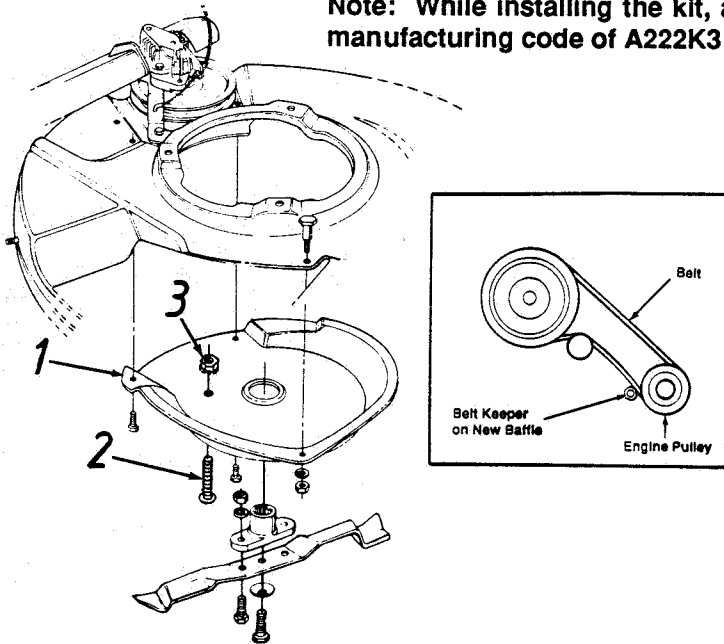
PROBLEM:

Reports from the field indicate that model TMO-3746606 self-propelled lawn mower with manufacturing codes from A142K3 thru A222K3, difficulty in pulling the unit backward has been encountered.

SOLUTION:

Install Service Kit 753-0549 which includes a revised mulching baffle with belt keeper attached.

Note: While installing the kit, also check the throttle control on units which have the manufacturing code of A222K3 as instructed below.

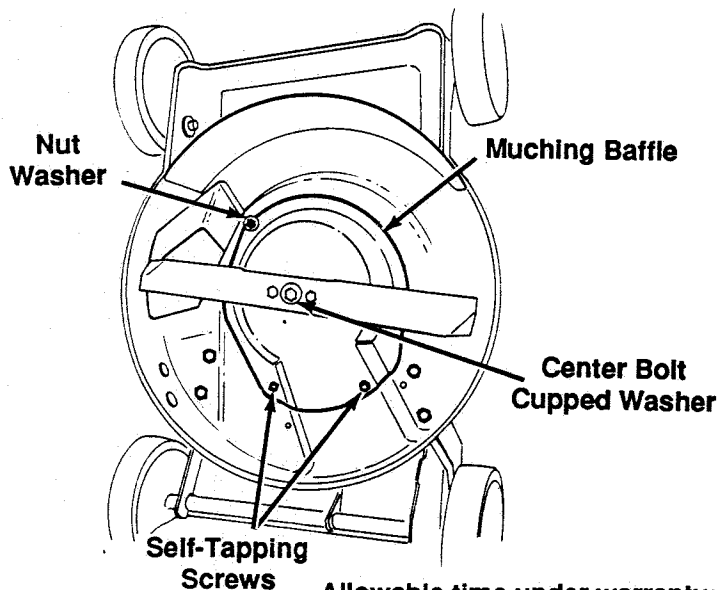


Kit 753-0549 Consists of :

Ref. No.	Part No.	Description
1	701-1342	Mulching Baffle 782-7555
2	710-0578	Phillips Scr. 1/4-20 x 1.5" Lg.
3	712-0271	Hex Sems Nut 1/4-20 Thd.

INSTALLATION INSTRUCTIONS

- Carefully turn carton upside down. Open the bottom flaps of the carton.
- Remove the blade and blade adapter by removing the center bolt and cupped washer.
- Remove the mulching baffle from the deck by removing two self-tapping screws, and the nut and washer. Temporarily place the nut on shoulder bolt to keep shoulder bolt in place. Discard old baffle.
- Remove the nut as you place the new mulching baffle in position, so that the belt is inside the belt keeper (Phillips screw) as shown. Secure the mulching baffle using hardware just removed.
- Replace the blade adapter and blade on the engine crankshaft. Tighten to between 450 and 600 inch pounds.
- Reseal the carton flaps, using reinforced tape or staples.
- Turn box right side up.
- Units with manufacturing code of A222K3 only:** Open top flaps of carton. Examine the end of the metal conduit on the throttle control cable at the engine. If the tip of the conduit has some black paint on it, the throttle control cable is correct. If any other color appears on the end of the conduit, replace the throttle control cable with part number 746-0674 (61" long). Reseal the carton.



Allowable time under warranty: 15 Minutes for Baffle Replacement
 Additional 10 Minutes for Throttle Control Replacement (if necessary)