

SERVICE KIT

753-0550
753-0551

CODE: SP-133
DATE: MARCH 18, 1992
SUBJECT: FRONT WHEEL HT. ADJ. ASS'Y.
REPLACEMENT -
MODELS 122-440R THRU
122-458R SELF-PROPELLED
LAWN MOWERS

PROBLEM: Reports from the field indicate that on models 122-440R thru 122-458R, the snap ring, part number 716-0102, which secures the front height adjuster assembly may work out of the snap ring groove and cause the height adjuster assembly to become loose and fall out of the height adjuster notches.

CAUSE: The snap ring was installed incorrectly and is not properly seated in the snap ring groove.

SOLUTION: Order and install Service Kit 753-0550 for a **RIGHT HAND** height adjuster assembly.
Order and install Service Kit 753-0551 for a **LEFT HAND** height adjuster assembly.

INSTRUCTIONS:

1. Remove the front hub cap.
2. Remove cotter pin, flat washer and wheel from height adjuster pivot plate (Ref. 5).
3. Carefully remove "E" ring, 14-tooth spur gear and flat washer from axle.
4. Remove dust cap.
5. Remove the two 3/8-16 x 1" lg. hex screws, which hold the height adjuster assembly to the mower deck, and discard the complete assembly.
6. Replace with new assembly provided in kit.

NOTE: Upon installation of new assembly make certain that the two hex screws removed in step 5 are correctly installed through internal baffle on underside of mower deck.

NOTE: It is important that you apply a small amount of grease to the front axle when replacing the front height adjuster assembly.

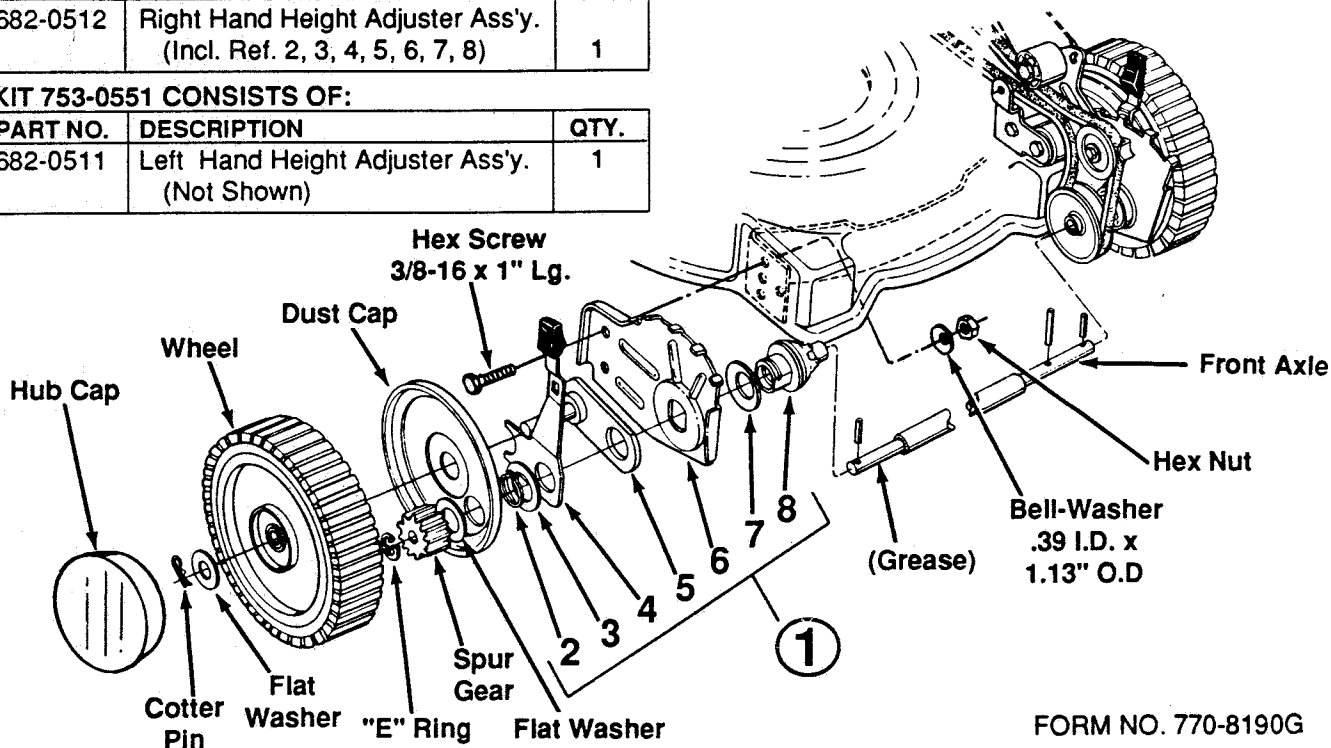
7. Reassemble in reverse order.

SERVICE KIT 753-0550 CONSISTS OF:

REF. NO.	PART NO.	DESCRIPTION	QTY.
1	682-0512	Right Hand Height Adjuster Ass'y. (Incl. Ref. 2, 3, 4, 5, 6, 7, 8)	1

SERVICE KIT 753-0551 CONSISTS OF:

REF. NO.	PART NO.	DESCRIPTION	QTY.
-	682-0511	Left Hand Height Adjuster Ass'y. (Not Shown)	1



FORM NO. 770-8190G