

SERVICE KIT

753-0554
753-0555

CODE: PE-103
DATE: MAY 4, 1992
SUBJECT: MODIFIED BLADES AND
BLADE ADAPTERS FOR
MULCHING KITS -
MODELS 190-096 AND
190-097

38" Mulching Kit, Model 190-096:

Install Kit 753-0554 if replacement mulching blades are needed for original blades, part number 742-0535 (19.38") or 742-0533 (12.5").

42" Mulching Kit, Model 190-097:

Install Kit 753-0555 if replacement mulching blades are needed for original blades, part number 742-0536 (21.2") or 742-0533 (12.5").

*WILLARD DRILLED OUT OLD
BLADES AND HAVE OLD PART No's
BLADES WILL WORK*

These kits contain modified blades and blade adapters, with larger diameter hardware.

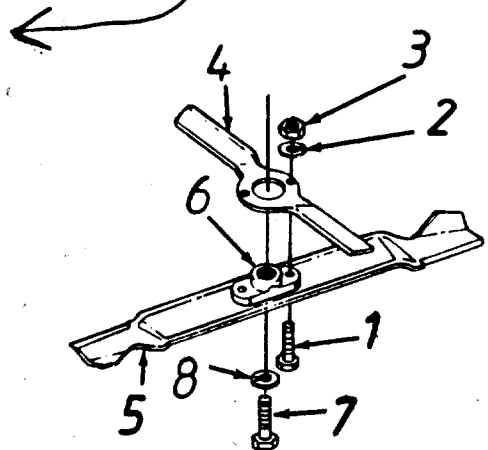
SERVICE KIT 753-0554 CONSISTS OF:

38"

REF. NO.	PART NO.	DESCRIPTION
1	710-3029	Hex Bolt 7/16-20 x 1.25" Lg. (Gr. 5)
2	736-0171	L-Wash. 7/16" I.D.
3	712-0378	Hex Nut 7/16-20 Thd.
4	742-0539	Mulching Blade 12.5"
5	742-0537	Mulching Blade 19.38"
6	748-0365	Blade Adapter
7	710-1039	Hex Bolt 3/8-24 x 1" Lg. (Gr. 8)
8	736-0217	L-Wash. 3/8" I.D. (H.D.)

753-0554-38

USE



SERVICE KIT 753-0555 CONSISTS OF:

42"

REF. NO.	PART NO.	DESCRIPTION
1	710-3029	Hex Bolt 7/16-20 x 1.25" Lg. (Gr. 5)
2	736-0171	L-Wash. 7/16" I.D.
3	712-0378	Hex Nut 7/16-20 Thd.
4	742-0539	Mulching Blade 12.5"
5	742-0538	Mulching Blade 21.2"
6	748-0365	Blade Adapter
7	710-1039	Hex Bolt 3/8-24 x 1" Lg. (Gr. 8)
8	736-0217	L-Wash. 3/8" I.D. (H.D.)

753-0555-42

USE

IMPORTANT: When attaching the blade assemblies, use the Grade 8 Hex Bolt (Ref. 7) and Lock Washer (Ref. 8) included in the Kit. Tighten the bolt securely (between 450 and 600 in. lbs.).

NOTE: If disassembled for any reason, tighten the blade adapter bolts to between 450 and 600 in. lbs.