



Service Advisory

(Zero-Turn RZT)

MTD-061

Models Affected: RZT Riders with 42", 50" and 54" Decks
 Serial Number Range Affected: 2007 Model Year Only RZT Riders
Date: April 16, 2007
Subject: 2007 Model Year RZT Deck Height Adjuster Lift Links

ACTION REQUIRED: This service advisory is **INFORMATIONAL ONLY**

SYMPTOM: Customer desires to have the deck cut lower than the normal lowest cutting height.

SOLUTION:

- Optional service kit **753-05584** provides two (2) deck lift links that are 1/2" longer than the standard production deck lift links and four (4) new flange lock nuts.
- See attached **753-05584** service kit installation instruction sheet.

SERVICE MANAGER	PARTS MANAGER	SALES MANAGER	SERVICE TECH.	SERVICE TECH.

Circulate and Initial



Service Kit

753-05584

Date: 04/16/2007

Subject: 2007 Model Year RZT Height Adjuster Lift Link

Models Affected: 2007 Model Year 42", 50" and 54" RZT Riders

Read through and understand these instructions completely before proceeding with repair.

PURPOSE: This service kit provides 1/2" longer lift links when it is wished to mow lower than the normal lowest cutting height.

NOTE: These materials are prepared for use by trained technicians who are experienced in the service and repair of equipment of the kind described in this publication, and are not intended for use by untrained or inexperienced individuals. Such individuals should seek the assistance of an authorized service technician or dealer.

NOTE: Save this Instruction Sheet. Refer to it when ordering replacement parts.

Service Kit Contents

(See Figure 1)

ITEM NO.	PART NUMBER	QTY	DESCRIPTION
1	703-06169	2	LINK: LIFT:RZT 5.50 LG
2	712-04065	4	NUT: FLANGE INSERT LOCK:3/8"-16: GRF
3	*	1	THIS INSTRUCTION SHEET

* - Not Available Separately

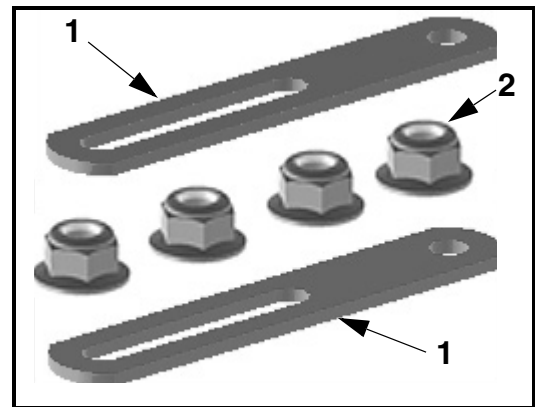


FIGURE 1

Pre-Service Preparation:

1. Place rider on a flat and level surface, disengage the PTO, turn engine off, remove ignition key and set the parking brake ON.

2. **CAUTION!** Allow engine and muffler to cool before proceeding with installation of this service kit.

Dis-Assembly Instructions:

3. Refer to the **Operator's Manual, Mower Deck** section, **Deck Removal** and remove the deck from under the rider.

4. Jack up the front of the rider to provide adequate room to work under the rider frame. Securely support the front end with a pair of jack stands.

5. Using a 9/16" socket and ratchet and a 15/16 box wrench, remove the lower shoulder bolt and nut from from both sides where the lift link attaches to the deck lift arm. See Figure 2. Discard lock nuts.

6. Secure both deck lift arms up against the bottom of the frame to provide access to the upper shoulder bolts and nuts.

7. Using a 9/16" socket and ratchet and a 15/16 box wrench, remove the upper shoulder bolt and nut from from both sides where the lift link attaches to the deck lift shaft assembly. See Figure 2. Discard the links and lock nuts.

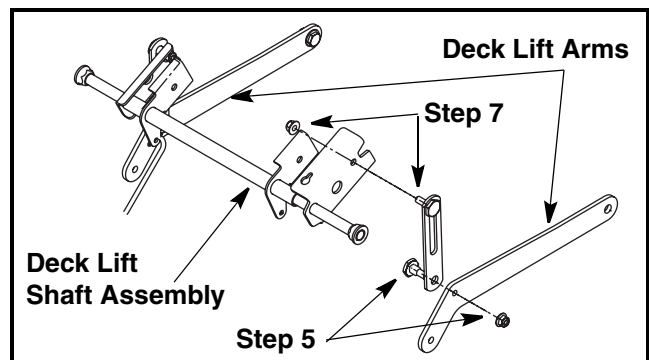


FIGURE 2

Assembly Instructions:

8. Install the new Lift Links, Item 1, using the new Lock Nuts, Item 2, in the reverse order of dis-assembly.

9. This completes the installation of this service kit.