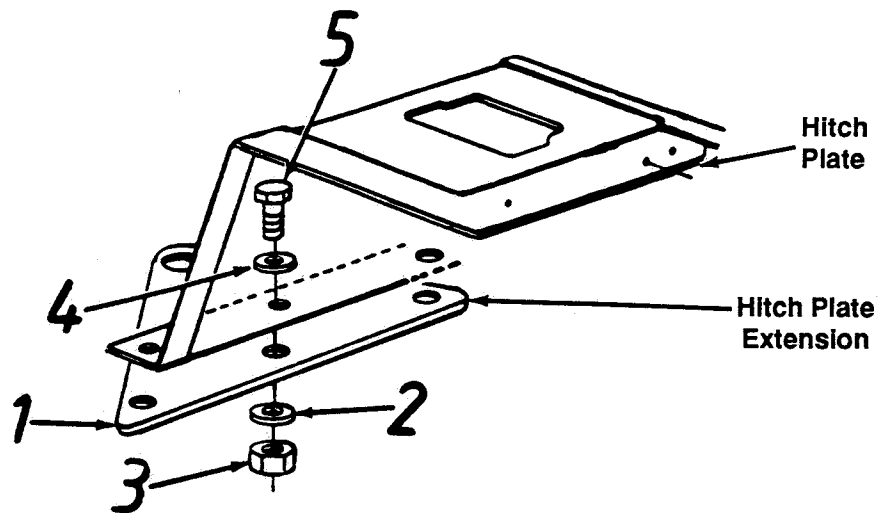


SERVICE KIT

753-0559

CODE: R-332
DATE: APRIL 13, 1992
SUBJECT: HITCH PLATE EXTENSION KIT
FOR 700 SERIES MODELS

Kit should be installed when attaching a lawn cart or other rear mounted pull behind attachment so that tongue of attachment does not interfere with transaxle.



SERVICE KIT 753-0559 CONSISTS OF:

| Ref. No. | Part No. | Description |
|----------|----------|-----------------------------------|
| 1 | 783-0014 | Hitch Plate Extension |
| 2 | 736-3015 | FI-Wash. .469" I.D. x .875" O.D. |
| 3 | 712-3019 | Hex Nut 7/16-14 Thd. (Grade 5) |
| 4 | 736-0439 | Bell-Wash. .46" I.D. x 1.13" O.D. |
| 5 | 710-0505 | Hex Bolt 7/16-14 x 1" Lg. |

INSTRUCTIONS:

1. Remove the two outside hex nuts, lockwashers and 5/16-18 x .75 lg. hex bolts from the hitch plate on the lawn tractor.
2. Attach hitch plate extension to hitch plate using the hardware provided in kit and the hardware removed in step one.