

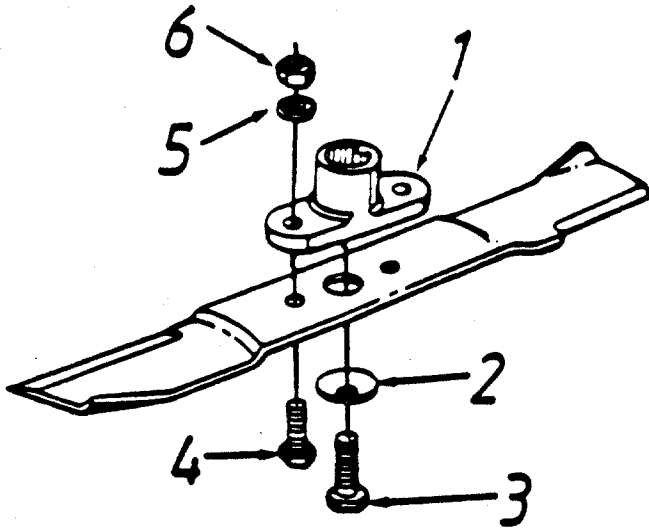
SERVICE KIT

753-0566

CODE: SP-141
 DATE: JANUARY 11, 1993
 SUBJECT: BLADE ADAPTER KIT
 MODEL 118A MULCHER
 (KEYED ADAPTER)

Kit 753-0519 Consists of:

Ref. No.	Part No.	Description	Qty.
1	748-0367	Blade Adapter	1
2	736-0452	Bell-Wash. .39" I.D.	1
3	710-1257	Hex Bolt 3/8-24 x 2.5" Lg.	1
4	710-1055	Hex Bolt 3/8-24 x 1" Lg.	2
5	736-0169	L-Wash. 3/8" I.D.	2
6	712-0241	Hex Nut 3/8-24 Thd.	2



BLADE MOUNTING TORQUE

Center Bolt: 450 in. lb. min., 600 in. lb. max.
 Blade Adapter Bolts: 200 in. lb. min., 350 in. lb. max.

FORM NO. 770-8435H

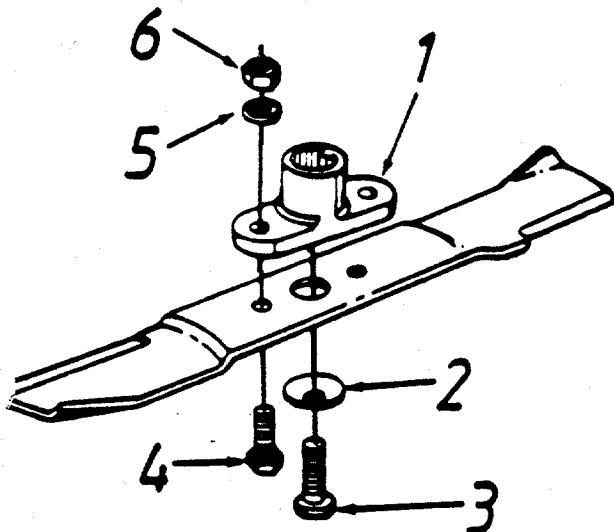
SERVICE KIT

753-0566

CODE: SP-141
 DATE: JANUARY 11, 1993
 SUBJECT: BLADE ADAPTER KIT
 MODEL 118A MULCHER
 (KEYED ADAPTER)

Kit 753-0519 Consists of:

Ref. No.	Part No.	Description	Qty.
1	748-0367	Blade Adapter	1
2	736-0452	Bell-Wash. .39" I.D.	1
3	710-1257	Hex Bolt 3/8-24 x 2.5" Lg.	1
4	710-1055	Hex Bolt 3/8-24 x 1" Lg.	2
5	736-0169	L-Wash. 3/8" I.D.	2
6	712-0241	Hex Nut 3/8-24 Thd.	2



BLADE MOUNTING TORQUE

Center Bolt: 450 in. lb. min., 600 in. lb. max.
 Blade Adapter Bolts: 200 in. lb. min., 350 in. lb. max.

FORM NO. 770-8435H