

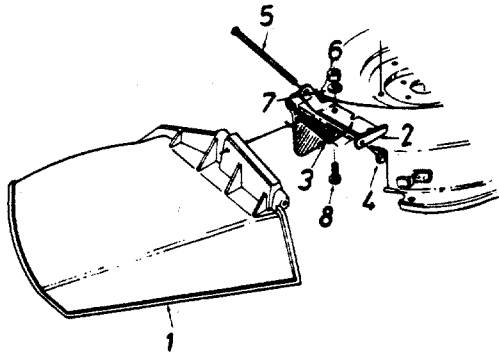
SERVICE KIT

753-0567

CODE: R-343
 DATE: JANUARY 21, 1993
 SUBJECT: REPLACEMENT
 CHUTE DEFLECTOR

Chute deflectors part numbers 16566 and 17136 are no longer available. Install kit 753-0567 if a replacement chute is needed.

Kit 753-0567 Consists of:



REF.	PART NO.	DESCRIPTION	QTY.
1	731-1032	Chute Deflector Ass'y. Comp. (Incl. Ref. 2, 3, 4 and 5)	1
2	703-1693	Hinge Mtg. Bracket	
3	732-0602	Torsion Spring	
4	726-0106	Push Nut	
5	711-0792	Hinge Pin	
6	712-0287	Hex Nut 1/4-20 Thread	2
7	736-0270	Bell-Washer 1/4" I.D.	2
8	710-0258	Hex Bolt 1/4-20 x 5/8" Lg.	2

INSTALLATION INSTRUCTIONS

1. Remove the old chute from your deck. Place the template at right on top of the deck, lining up the two existing holes and the edge of the deck with the template. Drill one new 1/4" hole as marked on the template.
2. Install the new chute deflector. Secure with hardware provided in kit.

