

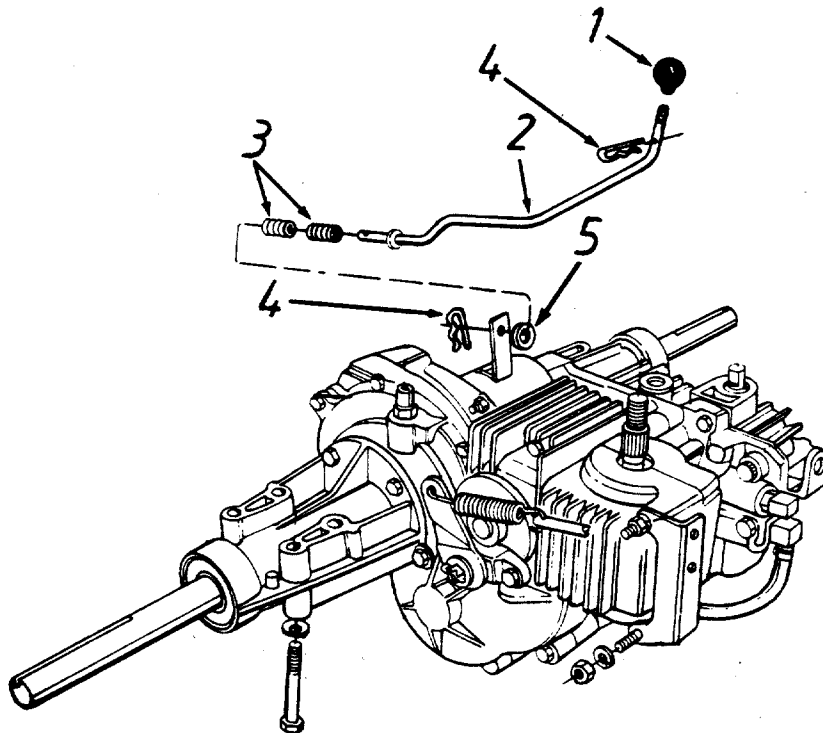
SERVICE KIT

753-0569

CODE: T-104
DATE: April 13, 1993
SUBJECT: HYDROSTATIC RELIEF VALVE
KIT FOR 830 SERIES
TRACTORS.

PROBLEM: A hydrostatic relief valve is provided so the unit can be moved without the engine running. Reports from the field indicate that on some hydrostatic tractors, the lever (located on the console), which operates the relief valve doesn't function properly.

SOLUTION: With the engine off, place the hydrostatic control lever in neutral, release the parking brake, pull the lever back and to the right to lock. Try moving the tractor. If the tractor can't be moved, install service kit 753-0569 as shown in illustration below.



SERVICE KIT 753-0569 CONSISTS OF:

REF. NO.	PART. NO.	DESCRIPTION.	QTY.
1	720-0187	Ball Knob	1
2	747-0909	Bypass Rod	1
3	732-0145	Comp. Spring 1" Lg.	2
4	714-0104	Hairpin Clip	2
5	736-0463	Fl. Wash. 1/4" I.D.	1