

SERVICE KIT

753-0574

CODE: PS-032
 DATE: April 27, 1993
 SUBJECT: EXTENSION KIT FOR SHREDDER WITHOUT LEAF HOPPER EXT.

INSTALLATION INSTRUCTIONS

WARNING: Use extreme caution when drilling the holes in the plastic parts, or personal injury could result. In addition, be careful not to drop any parts or hardware inside the shredder, or some disassembly will be required, and possible contact with sharp blades could result.

Disconnect the spark plug wire and move it away from the spark plug.

ATTACHING THE DISCHARGE GUARD (See figure 1)

1. Place the discharge guard (Ref. 3) in position under the discharge chute, with the flanges on the discharge guard on the outside of the chute. The edge of the discharge guard should be approximately 2" from the edge of the housing.
2. Hold the discharge guard tightly against the lower edge of the discharge chute. Drill a 9/32" hole (7 mm) in each side of the discharge chute, using the discharge guard as a guide.
3. Secure the discharge guard to the discharge chute using two 5/8" long hex bolts (Ref. 7), 1/4" lock washers (Ref. 10) and hex nuts (Ref. 11). Tighten securely.

ATTACHING THE CHIPPER CHUTE EXTENSION (See figure 2)

1. Remove the cotter pin and flat washer which secure the chipper door rod. Remove and discard the chipper door assembly.
2. On the lower side of the chipper chute, mark and drill a 9/32" hole (7 mm) approximately 1 1/4" from the edge of the chipper chute, centered from left to right (or use template).
3. Insert the chipper chute extension into the chipper chute. The flanges on the chipper chute go toward the sides, and the edge that is more angled goes toward the top. Make certain it is seated securely into the chipper chute. Using the holes in the sides of the chipper chute as a guide, drill two holes in the chipper chute extension. Secure using two 5/8" long hex bolts (Ref. 7), four flat washers (Ref. 5) and two hex lock nuts (Ref. 9) as shown. Do not tighten.
4. Drill the hole in the lower side of the chipper chute extension, using the hole drilled in step 2 as a guide. Secure using one 5/8" long hex bolt (Ref. 7), two flat washers (Ref. 5) and one hex lock nut (Ref. 9) as shown. Tighten all three nuts and bolts securely.

KIT 753-0574 CONSISTS OF (See figures 1&2):

Ref. No.	Part No.	Description	Qty.
2	681-0036	Chipper Chute Extension	1
3	681-0035	Discharge Guard Weldment	1
5	736-0142	Flat Washer 1/4" I.D.	8
7	710-0258	Hex Bolt 1/4-20 x .62" Lg.	5
9	712-0291	Hex Lock Nut 1/4-20 Thd.	3
10	736-0329	Lock Washer 1/4" I.D.	2
11	712-3006	Hex Nut 1/4-20 Thd.	2

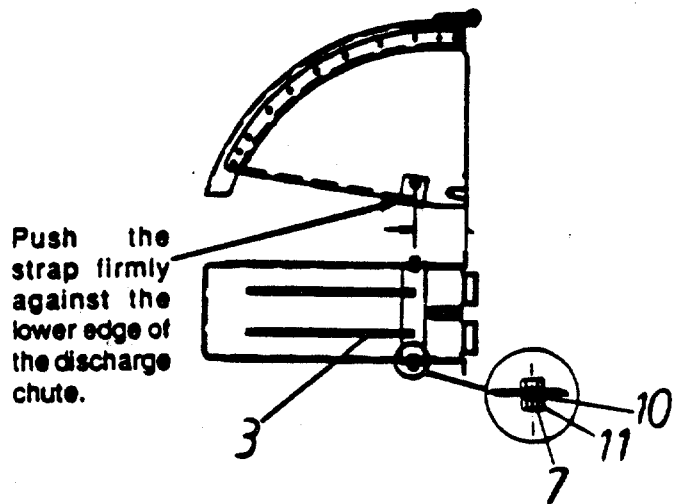


FIGURE 1

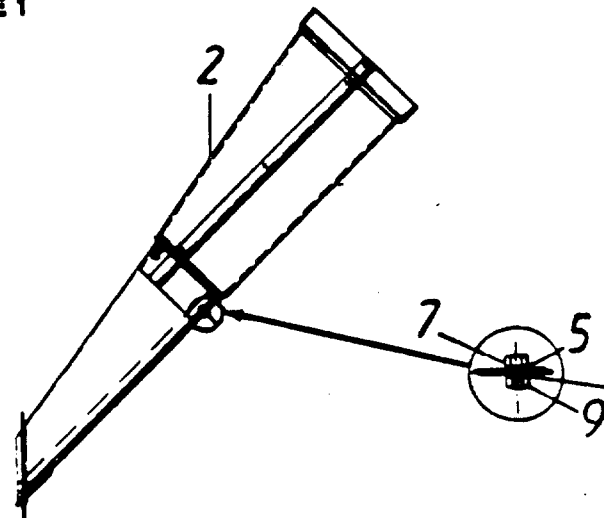


FIGURE 2