

# SERVICE KIT

CODE: SP-145

## 753-0581

DATE: JUNE 17, 1993

SUBJECT: BAFFLE KIT FOR MODELS:  
123-477 & 123-478 SERIES

**PROBLEM:** Grass packs around the V-belt causing the self propelling mechanism to fail

**SOLUTION:** Install the new baffle. Service kit number 753-0581.

### BAFFLE KIT (753-0581)

QTY	PART NO.	DESCRIPTION
1	682-5009	Belt Baffle
1	723-3061-13	Heat Baffle Seal
1	710-0166	Hex Bolt [belt keeper]
1	736-0329	Lock Washer [belt keeper]
1	712-0298	Hex Nut [belt keeper]
1	770-8540H	Instruction Sheet

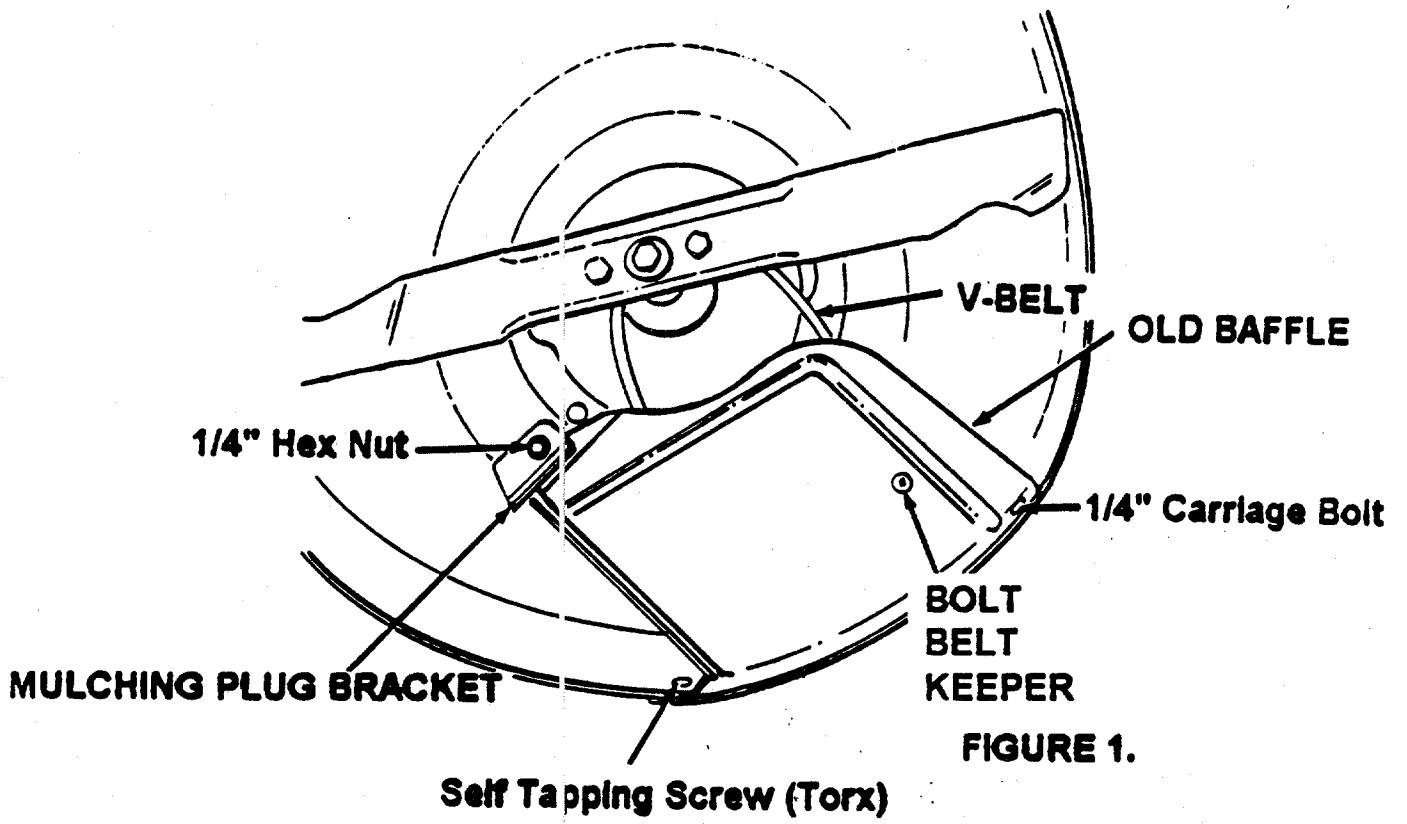
### TOOLS REQUIRED:

Torx TX-27 screwdriver  
7/16" socket and ratchet  
7/16" and 9/16" open end wrench

### TIME ALLOWANCE:

Retailed units .5 hour  
Store stock .3 hour

1. Remove the spark plug lead and ground it.
2. Drain the engine oil from the crankcase. (retailed units only)
3. Drain the gasoline from the fuel tank. (retailed units only)
4. Turn the mower upside down on a workbench.
5. Remove the cutting blade by removing only the center bolt.
6. Take out the old baffle by removing: (See figure 1)
  - A. 1/4" carriage bolt
  - B. Self tapping screw
  - C. 1/4" hex nut. NOTE: when removing the baffle the mulching plug bracket will be loosen. Be sure to re-install correctly with the new baffle.
  - D. Lift out the old baffle and clean out the grass.
7. Install the new baffle and rubber heat baffle seal by:
  - A. Place a rubber band around the V-belt to hold it tight against the pulley on the engine crankshaft to insure that the V-belt is inside the belt keeper bolt when you install the new baffle.
  - B. Placing the new baffle in position as shown in figure 2.
  - C. Install 1/4" carriage bolt.
  - D. Install self tapping screw.
  - E. Install 1/4" hex nut securing the baffle and mulching plug bracket.
  - F. Remove the tape engaging the Self Propell Handle.
8. Install the blade
9. Rotate the blade to insure the blade adapter does not contact the new baffle.  
Adjust baffle if necessary.
10. Fill the crankcase with approximately 20 ounces of SAE 30 engine oil. (retailed units only)
11. Attach spark plug lead to spark plug.
12. Fill fuel tank and test mower. (retailed units only)



**BAFFLE KIT  
753-0581**

