

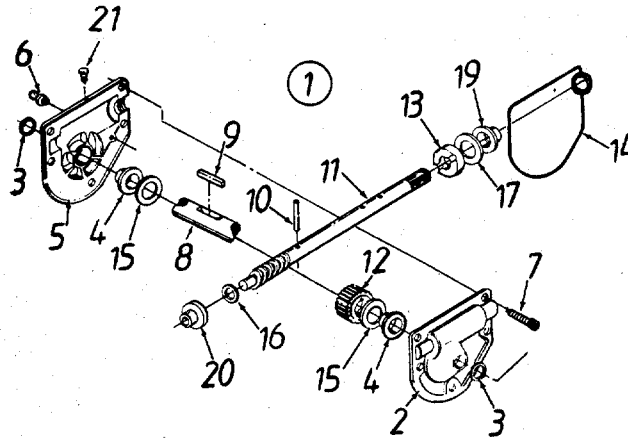
SERVICE KIT

753-0590
753-0591
753-0592

CODE: ST-102
DATE: January 12, 1994
SUBJECT: Auger Gear Box Replacement

Auger gear boxes 618-0040, 618-0041 and 618-0042 are no longer available. Install the following service kit if a replacement gear box is needed.

Auger Gear Box 618-0040 - Install Service Kit 753-0590
Auger Gear Box 618-0041 - Install Service Kit 753-0591
Auger Gear Box 618-0042 - Install Service Kit 753-0592



Service Kits consist of :

REF. NO.	PART NO.	DESCRIPTION
1	618-0120	Worm Drive Ass'y. Comp (753-0590)
	618-0121	Worm Drive Ass'y. Comp (753-0591)
	618-0122	Worm Drive Ass'y. Comp (753-0592)
2	719-0320	Reducer Housing - L.H.
3	721-0179	Oil Seal
4	741-0339	Flange Bearing. 75" I.D.
5	719-0319	Reducer Housing - R. H.
6	737-3000	Grease Fitting
7	710-0642	Hex TT-Tap Scr. 1/4-20 x .75" Lg.
8	711-0908	24" Auger Shaft (753-0590)
	711-0909	26" Auger Shaft (753-0591)
	711-0910	28" Auger Shaft (753-0592)
9	714-0388	#61 Hi-Pro Key 3/16" x 5/8" Dia.
10	715-0143	Spiral Pin 1.25" Lg.
11	717-0526	Impeller Shaft
12	717-0528	Worm Gear
13	718-0186	Thrust Collar
14	721-0327	Oil Seal
15	736-0351	Fl. Wash. .76" I.D. x 1.5" O.D.
16	736-0369	Fl. Wash. .5" I.D. x 1" O.D.
17	736-0445	Fl. Wash. .76" I.D. x 1.49" O.D.
19	741-0376	Flange Bearing .75" I.D.
20	748-0108	Flange Bearing .503" I.D.
21	721-0325	Plug