

SERVICE KIT

753-0628

CODE: ST-117
 DATE: February 15, 1995
 SUBJECT: Friction Wheel

THIS KIT REPLACES THE FRICTION WHEEL IN ALL 1992, 2-STAGE SNOW THROWERS.

Service Kit 753-0628 Consists of:

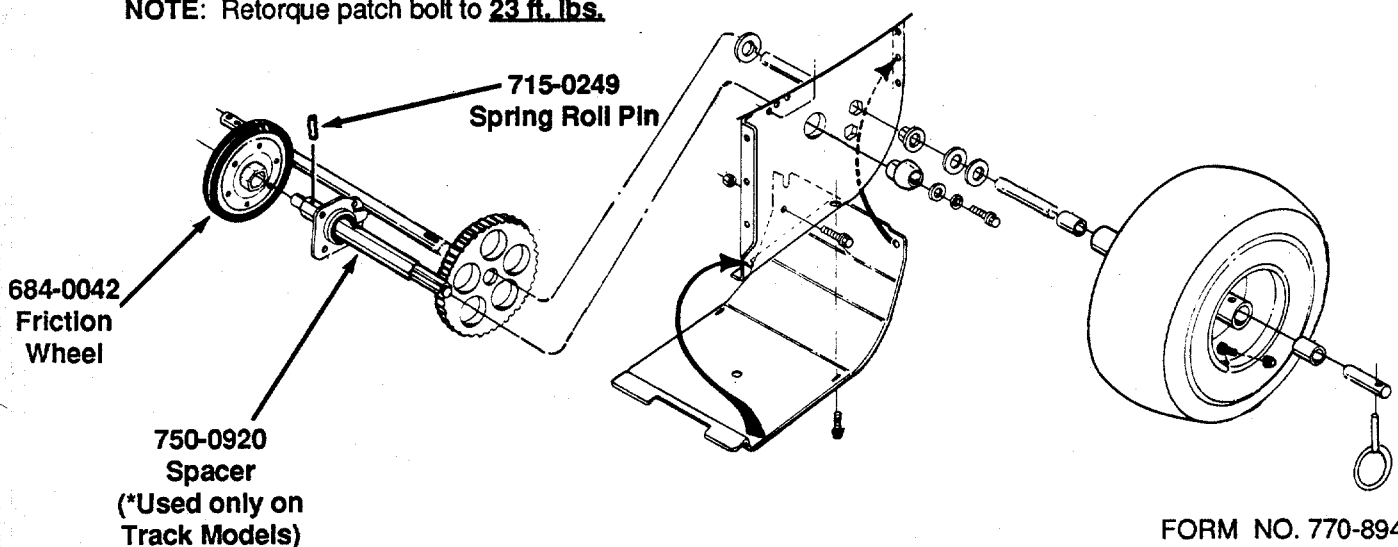
QTY.	PART NO.	DESCRIPTION
1	684-0042	Friction Wheel Assy. Complete
1	715-0249	Spr. Roll Pin 1.12" Lg.
1	750-0920 *	Spacer 1.020" I.D. 1.25" O.D. x .15"

* Used only on Track Models

INSTRUCTIONS

1. Drain the gasoline from the snow thrower, or place a piece of plastic under the gas cap.
2. Tip the snow thrower up and forward so that it rests on the housing.
3. Remove four self-tapping screws from the frame cover underneath the snow thrower. Remove the frame cover.
4. Remove the click pins which secure the wheel, and remove the wheels from the axle.
5. Remove the gear shaft from the unit by removing the bolts, lock washers and flat washers from each side of the frame. Hold the friction wheel assembly and slide the gear shaft out of the unit toward the right hand side.
6. Separate the friction wheel from the bearing assembly by removing the retaining ring.
7. Due to a change in the length of the friction wheel hub, a new hole will have to be drilled into the hex shaft. Place hex shaft in a vise and drill a 5/32" hole 5/8" outboard from its current position. Install new roll pin into hex shaft.
8. Install the new friction wheel and secure with snap ring. Slide the new friction wheel assembly up onto the shift mechanism and slide the gear back into the unit. Reassemble in reverse order.

NOTE: Retorque patch bolt to **23 ft. lbs.**



FORM NO. 770-8948K