

# Service Kit 753-0631

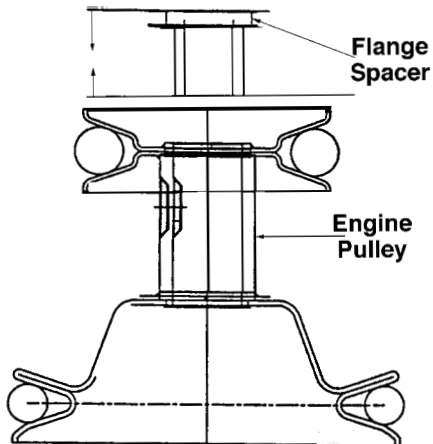
CODE: R-363

DATE: March 1, 1995

SUBJ: Replacement Engine Pulley-  
Transmmatic Lawn Tractor

Service Kit 753-0631 replaces engine pulley part number 756-0424.

Install the new pulley and spacer. The flange on the spacer must be toward the top as shown. Tighten the pulley mounting screw to 600-720 in. lbs.



## Service Kit 753-0631 Consist of:

Part No.	Description	Qty.
756-0982A	Engine Pulley	1
750-0956	Spacer 13 <sup>7</sup> / <sub>16</sub> " Lg.	1

Form No. 770-8979K  
(R980713)