

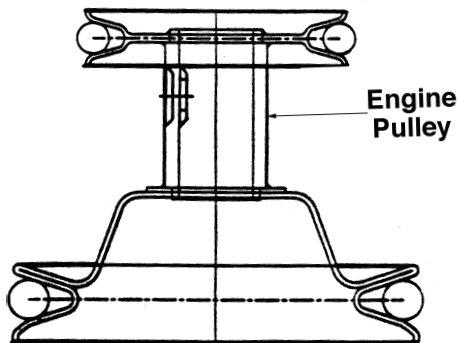
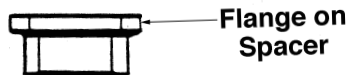
# Service Kit 753-0632

CODE: R-362

DATE: March 1, 1995

SUBJ: Replacement Engine Pulley-  
Heydrostatic Lawn Tractors

Install new pulley and spacer (provided in kit) so the spacer is above the pulley. The flange on the spacer must be toward the top as shown. Tighten the pulley mounting screw to 600-720 in. lbs.



**Service Kit 753-0632 replaces engine pulley part number 756-0633**

Part	Description	Qty.
756-0983A	Engine Pulley	1
750-0956	Spacer 13/16" Lg.	1

Form No. 770-8978K  
(R980325)

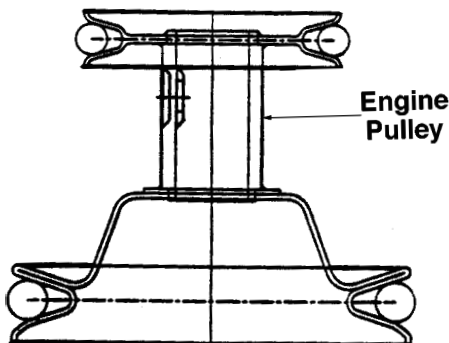
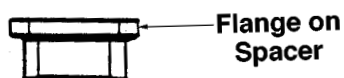
# Service Kit 753-0632

CODE: R-362

DATE: March 1, 1995

SUBJ: Replacement Engine Pulley-  
Heydrostatic Lawn Tractors

Install new pulley and spacer (provided in kit) so the spacer is above the pulley. The flange on the spacer must be toward the top as shown. Tighten the pulley mounting screw to 600-720 in. lbs.



**Service Kit 753-0632 replaces engine pulley part number 756-0633**

Part	Description	Qty.
756-0983A	Engine Pulley	1
750-0956	Spacer 13/16" Lg.	1

Form No. 770-8978K  
(R980325)