



# Service Kit 753-06348

Date: February 3, 2010

Subject: Service Replacement for the  
738-1186 Spindle Shaft

Models Affected: N/A

**Read and understand these instructions thoroughly before proceeding.**

**PURPOSE:** This service kit provides the new spindle shaft, the required new spacer and instructions for the replacement of the 738-1186 spindle shaft which is no longer available.

**NOTE:** *These materials are prepared for use by trained technicians who are experienced in the service and repair of equipment of the kind described in this publication, and are not intended for use by untrained or inexperienced individuals. Such individuals should seek the assistance of an authorized service technician or dealer.*

**NOTE:** *Save this Instruction Sheet. Refer to it when ordering replacement parts.*

## Service Kit Contents (See Figure 1)

ITEM NO.	PART NUMBER	QTY	DESCRIPTION
1	738-1186A	1	SHAFT: SPINDLE: 6.11" LG
2	750-04936	1	SPACER: .792" x .1.060" x 1.860" LG
	*	1	THIS INSTRUCTION SHEET

\* - Not Available Separately

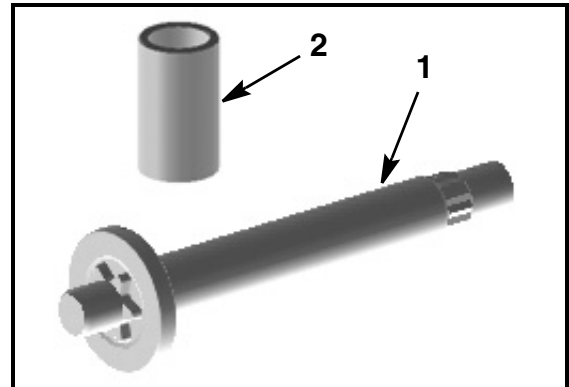


FIGURE 1

When servicing the spindle shaft refer to the chart below and the generic spindle assembly illustration to the right.

EXISTING SPINDLE	REPLACING WITH SPINDLE SHAFT "A"	REQUIRED EXTERNAL SPACER "B" *
738-1186	738-1186A	750-04936
738-1186	738-1186	750-0952
738-1186A #	738-1186 #	750-0952
738-1186A	738-1186A	750-04936

\* 750-0952: .792 I.D. x 1.060 O.D. x **1.800** Long

\* 750-04936: .792 I.D. x 1.060 O.D. x **1.860** Long

# NOTE: The 738-1186 should **ONLY** replace the 738-1186A when the deck in question is engaged by an electric PTO.

