

# Service Kit 753-0635

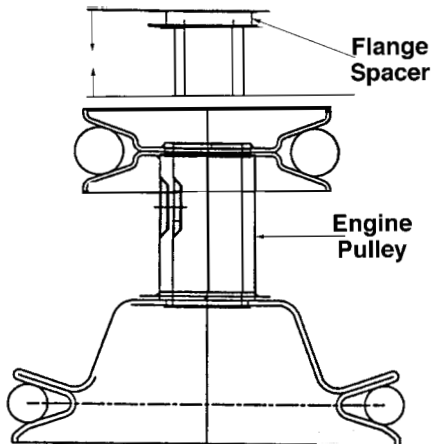
CODE: R-365

DATE: April 25, 1995

SUBJ: Replacement Engine Pulley-  
Transmatic Lawn Tractor

Service Kit 753-0635 replaces engine pulley part number 756-0488.

Install the new pulley and spacer. The flange on the spacer must be toward the top as shown. Tighten the pulley mounting screw to 600-720 in. lbs.



### Service Kit 753-0635 Consist of:

Part No.	Description	Qty.
756-0982A	Engine Pulley	1
750-0957	Spacer 1-1/4" Lg.	1

Form No. 770-8983K  
(R980713)