

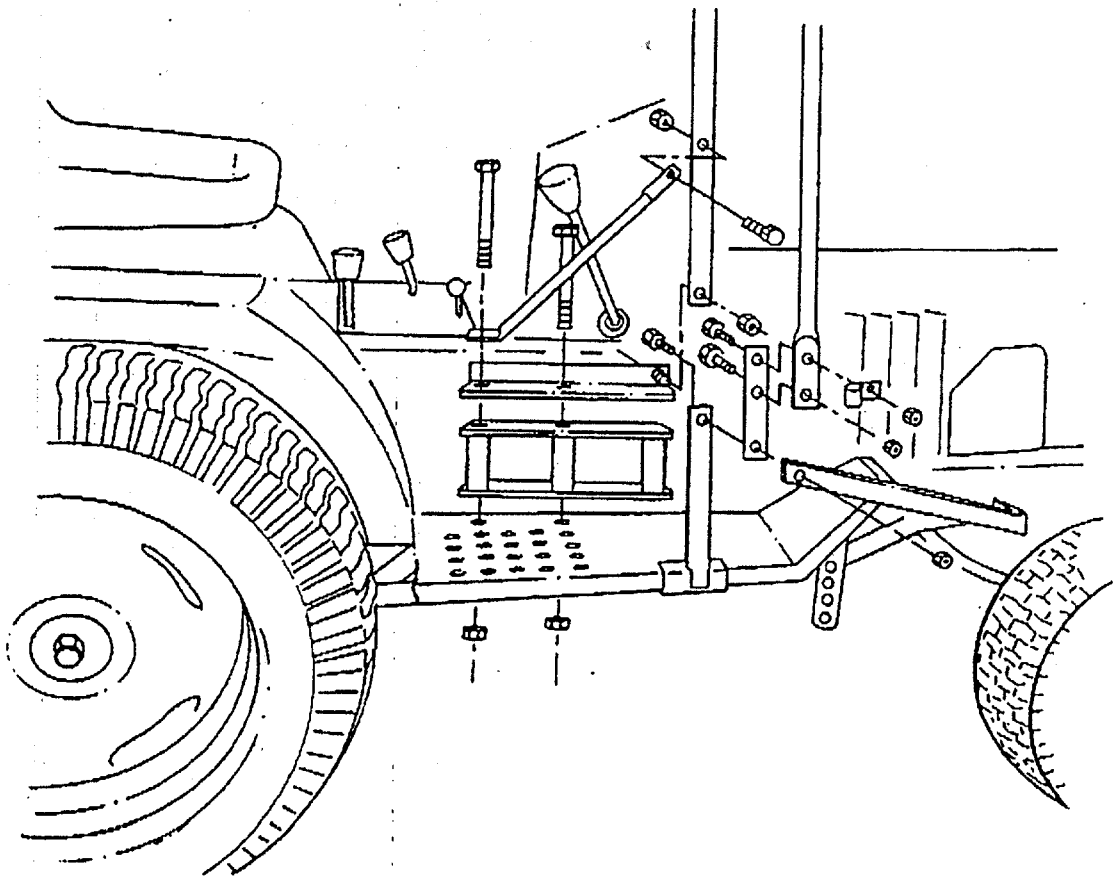
ADAPTER KIT # 753-0644 TO ADAPT CAB 190-850 TO NEWER
TRACTORS WITH LOWERED STEP PLATES

PART #	QTY	DESCRIPTION
10617	2	FRONT PANEL BRACKET EXTENSION
10618	2	FRONT POST EXTENSION
10619	1	FRONT PANEL EXTENSION STRIP
788	2	1/4"-20 X 3/4" CAPSCREW, hex
730	2	1/4"-20 LOCKNUT
9722	4	3/8"-16 X 3 3/4" CAPSCREW, hex

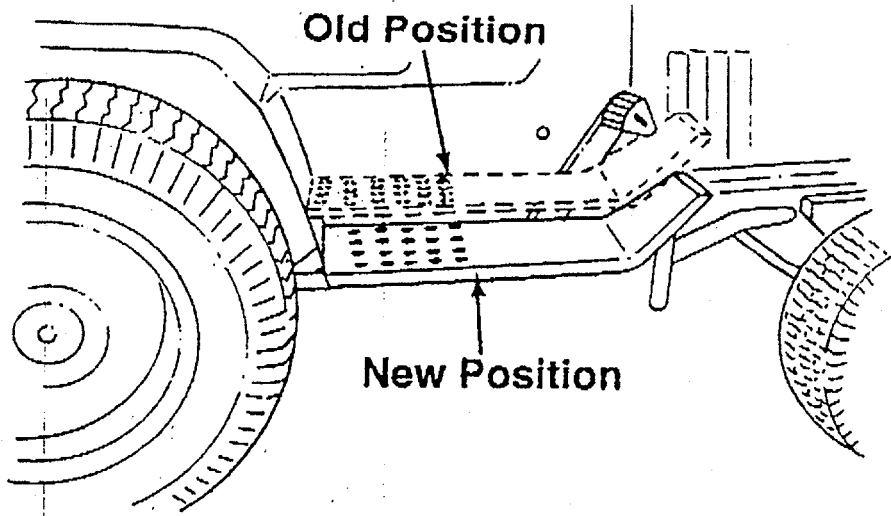
At step 3 & 4 in the instructions, place the FRONT PANEL FRAME BRACKET EXTENSIONS between the step plate and bracket. Use the 3/8" x 3 3/4" bolts to secure these parts.

At step 5 in the instructions, place the FRONT POST EXTENSION between the FEET and FRONT POST. Use the 1/4" x 3/4" bolts to secure these parts.

At step 9 in the instructions zip the FRONT PANEL EXTENSION STRIP BETWEEN the windshield and front panel vinyl.



ATTENTION: TRACTOR CHANGE



If you have a new model you must use the additional parts listed below.

PART #	QTY	DESCRIPTION
10617	2	FRONT PANEL BRACKET EXTENSION
10618	2	FRONT POST EXTENSION
788	2	1/4"-20 X 3/4" CAPSCREW, hex
730	2	1/4"-20 LOCKNUT
9722	4	3/8"-16 X 3 3/4" CAPSCREW, hex

At step 3 & 4 in the instructions, place the FRONT PANEL FRAME BRACKET EXTENSIONS between the step plate and bracket. Use the 3/8" x 3 3/4" bolts to secure these parts.

At step 5 in the instructions, place the FRONT POST EXTENSION between the FEET and FRONT POST. Use the 1/4" x 3/4" bolts to secure these parts.

