

# Service Kit 753-0646

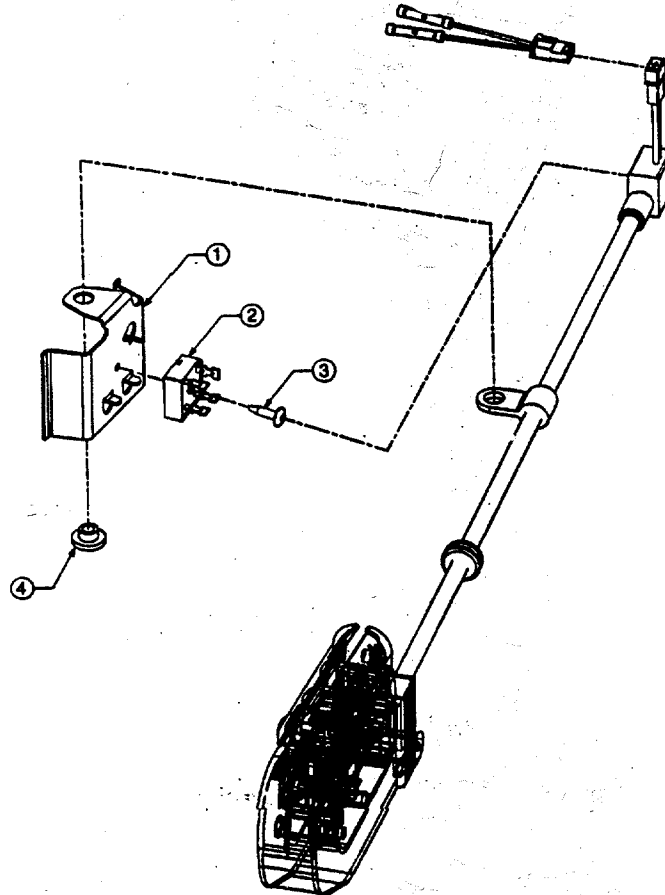
Code: PM-257

Date: May 31, 1996

Subject: Attaching Rectifier Kit  
387707 Electric Mowers

Please use this Service Kit sheet when attaching your rectifier kit.

753-0647  
(Kit and motor)

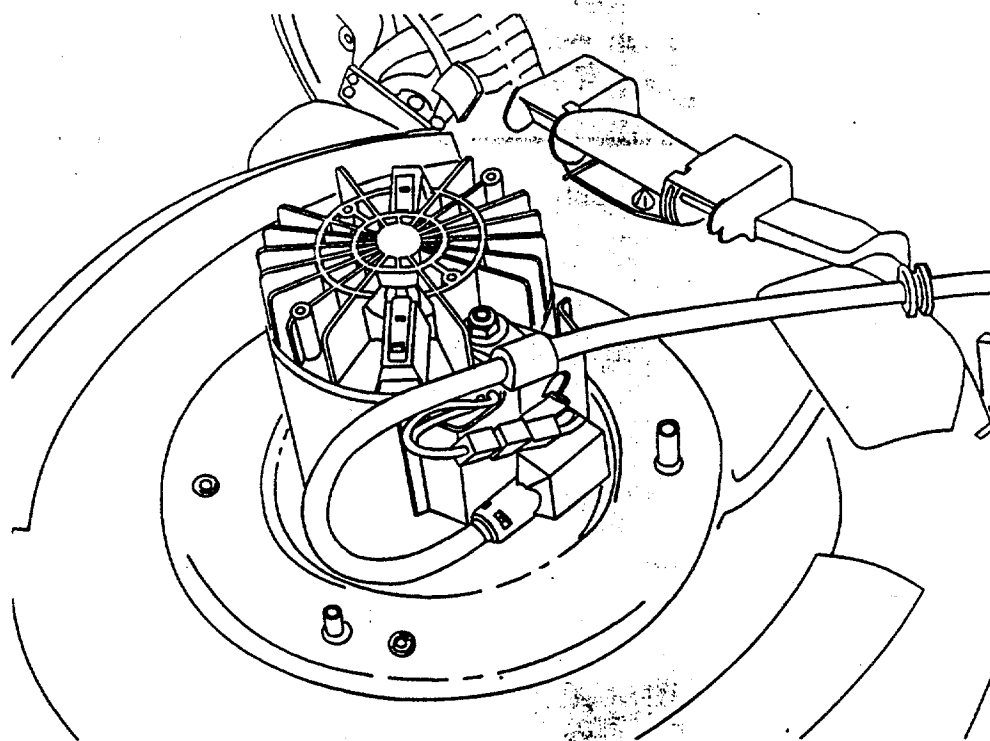


### Service Kit 753-0646 Consists of:

Ref.	Part No.	Description	Qty.
1	782-5016	Rectifier Bracket	1
2	725-1715	Rectifier	1
3	710-3009	Pan Head Screw	1
4	731-1219	Insulator Bushing	2
-	726-0209	Cable Ties (not shown)	2
-	770-0303L	Instruction Sheet	1

625-0018A w/cord + sw

770-0303L



## Attaching Rectifier

1. Remove motor cover from mower.
2. Cut all tie straps securing the switch cord to the mower handle.
3. Remove the two screws that secure to the handle.
4. Remove the rectifier cover from the motor by removing the nut from the rear motor. (7/16 deep well socket)
5. Cut off the wire connectors from the red & blue motor leads, leave as much wire as possible.
6. Strip red and blue leads so that approximately 1/4" of bare wire is showing.
7. Insert the exposed blue wire into the connector from the blue lead off of part number 629-0429 and crimp with crimping tool.
8. Repeat step 7 for red wire and red wire lead.
9. Place bushing number 731-1219 over rear motor bolt.
10. Place rectifier bracket (with rectifier attached) over rear motor bolt and bushing number 731-1219.
11. Place strain relief over stud and tighten down with nut and washer.
12. Route cord and switch along the handle the same as before and mount switch to handle. Attach cable ties where they were previously located.
13. Reinstall motor cover.
14. Run motor and check blade rotation.