

Service Kit

753-0647A

CODE: PM-276

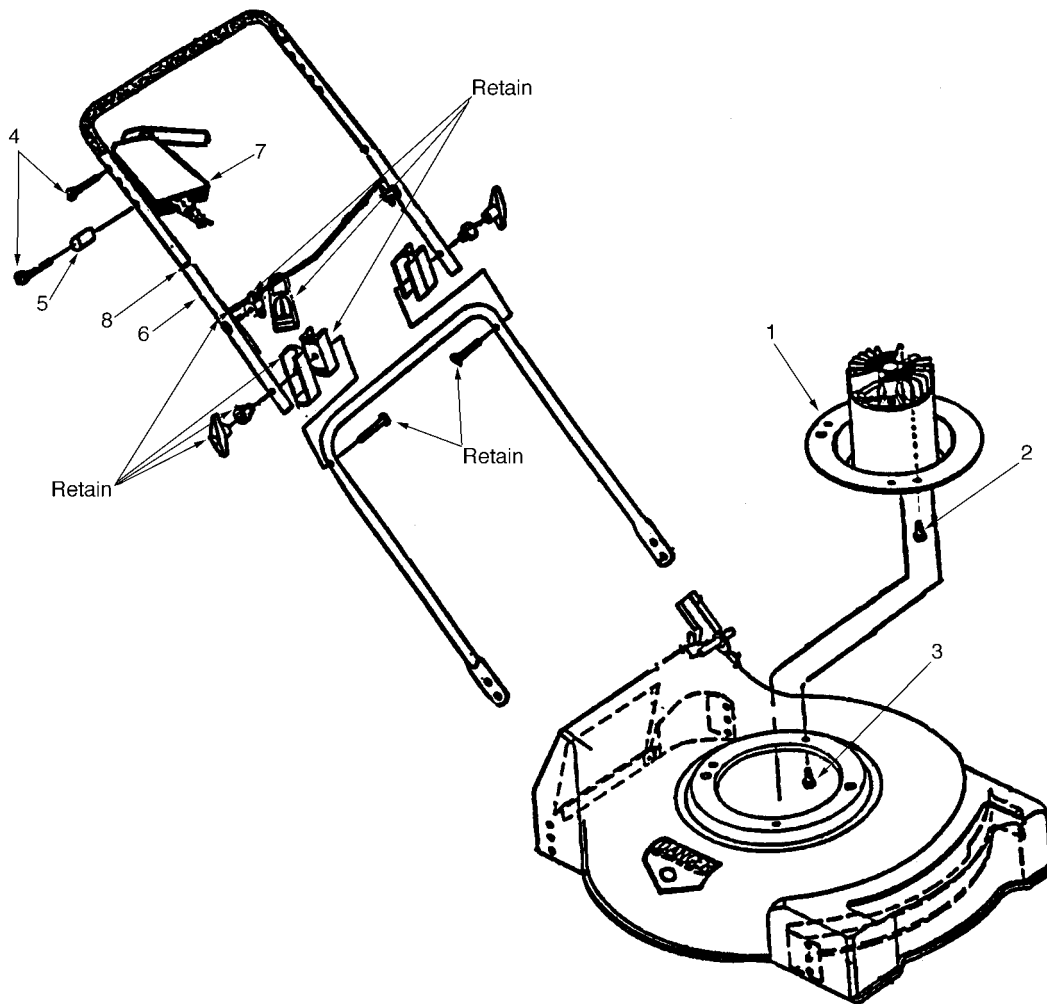
DATE: August 19, 1998

SUBJ: Motor Assembly complete
with cord and switch

Use Service Kit number 753-0647A when replacing part number 818-60013.

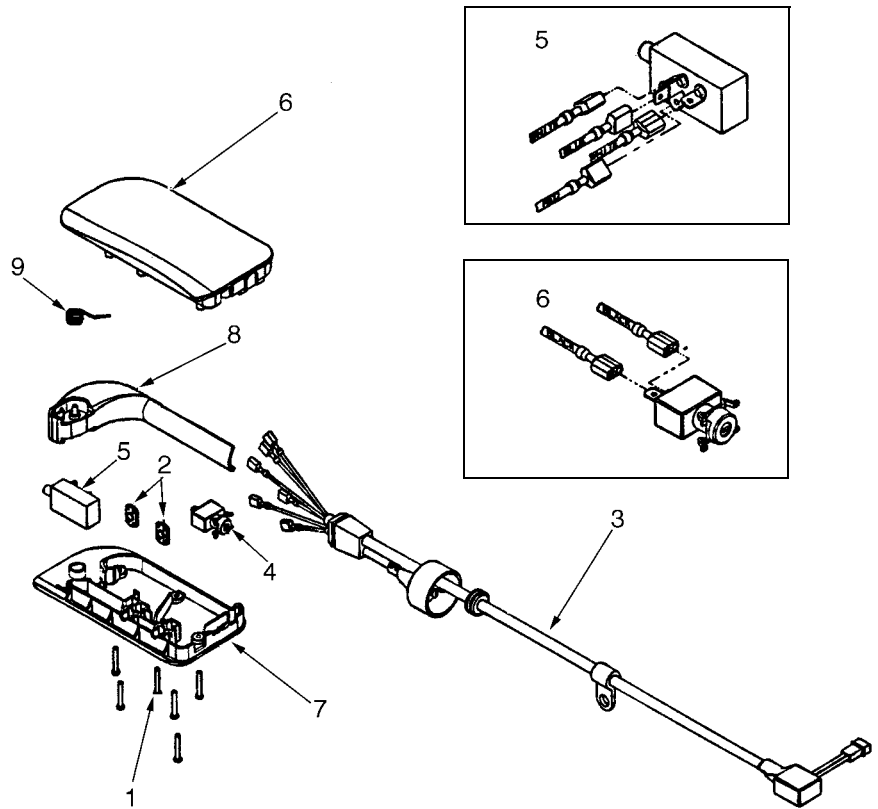
!!!WARNING!!! DISCONNECT POWER CORD FROM ELECTRICAL OUTLET BEFORE PERFORMING ANY MAINTENANCE OR SERVICE ON THE MOWER.

1. Remove the motor cover screws from beneath the mower deck and remove the motor cover.
2. Remove the tie straps that secures the cord assembly to the upper and lower handles.
3. Remove the two screws that secures the control box to the upper handle.
4. Remove the cord control rod located on the upper handle and retain for reassembly to the new upper handle.
5. Remove the upper handle and bail control (Note-bail control equipped on certain models only) and discard. Retain the handle insulators and all mounting hardware for reassembly of the new upper handle.
6. Remove the three screws that secures the motor and cord/switch assembly to the mower deck.
7. Discard the old motor assembly and related hardware.
8. Place the new motor cord switch assembly on the mower deck and secure with new hardware provided in kit.
9. Attach the new upper handle to the lower handle with hardware and insulators removed in Step 5.
10. Attach the cord and switch assembly to the upper handle with the two screws and spacers provided. See diagram for proper location of switch and hardware required.
11. Route the cord assembly down along the upper and lower handles and secure with cable ties provided in kit.
12. Reinstall the motor cover with screws removed in Step 1.
13. Test run mower.

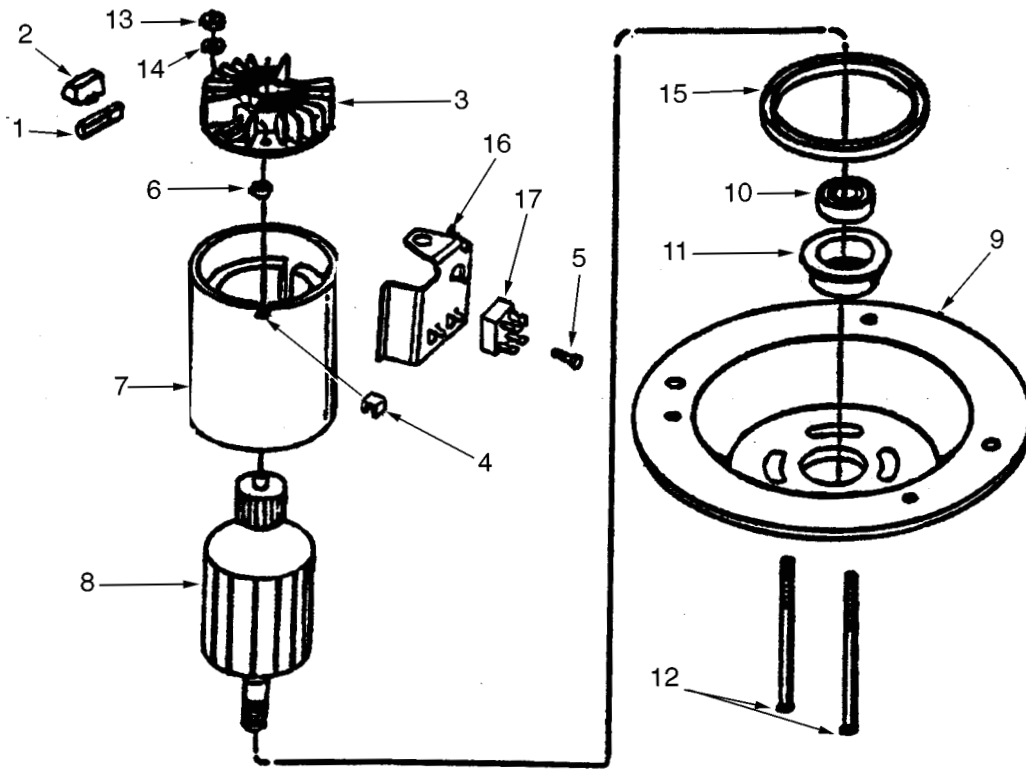


Ref. No.	Part No.	Description	Qty.
1	624-0099	Motor cord switch ass'y	1
2	710-3009	Pan Head Screw	2
3	710-0654A	Hex Screw	3
4	710-0605	Screw-oval countersunk	2
5	750-0218	Spacer	1
6	749-0886-0637	Upper Handle	1
7	625-0050	Cord & Switch ass'y	1
8	726-0240	Cable Tie	2

Exploded view of Cord & Switch Assembly (Part No. 625-0050)



Ref. No.	Part No.	Description
1	710-1150	Scr. Hx. Lock #7-19 x 1.00 Lg.
2	712-0189	Nut Weld Tab 1/4-20 Thd.
3	724-0248	Cord W/Plug
4	725-1712	Circuit Breaker
5	725-1731	Switch
6	731-1985	Upper Switch Housing
7	731-1986	Lower Switch Housing
8	731-1987	Control Lever
9	732-0935	Torsion Spring



Ref. No.	Part No.	Description
1	624-0031	Brush & Liner Assembly
2	724-0200	Brush Holder Cap
3	624-0070	End Shield Assembly. W/Plug (Includes Ref. 1,2 & 6)
4	721-0305	Insulator Wire (output)
5	710-3009	Hex Tap Scr. #10-16 x .62" Lg.
6	741-0875	Needle Bearing
7	†	Magnet Housing Assembly
8	624-0029	Armature Assembly
9	624-0062	Motor End Plate Assembly
10	741-0124	Ball Bearing
11	748-0348	Bearing Adapter
12	710-1176	Carraige Bolt
13	712-0324	Hex L-Nut 1/4-20 Thd.
14	736-3090	Fl. Washer .26" I.D. x .72"
15	721-0306	Housing Insulator
16	782-5016	Brkt. Rectifier/Heat Sink
17	725-1715	Rectifier
18	721-0382	Heat Sink Compound (not shown)

† Not available for service