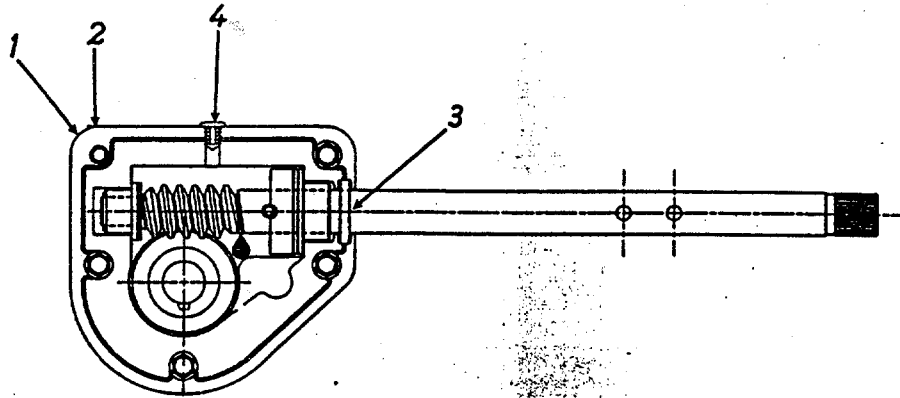


# SERVICE KIT

## 753-0648

Code: ST-127  
Date: February 13, 1996  
Subject: Replacing housing assembly, 600/700 Series Snow Throwers

Install kit 753-0648 when replacing housing assembly 719-0292 or 719-0293.



**Service Kit 753-0648 Consists of:**

REF.	PART NO.	DESCRIPTION
1	618-0123	Housing Assembly -RH
2	618-0124	Housing Assembly -LH
3	721-0327	Oil Seal
4	721-0325	Plug
-	770-0248L	Service Kit Sheet