

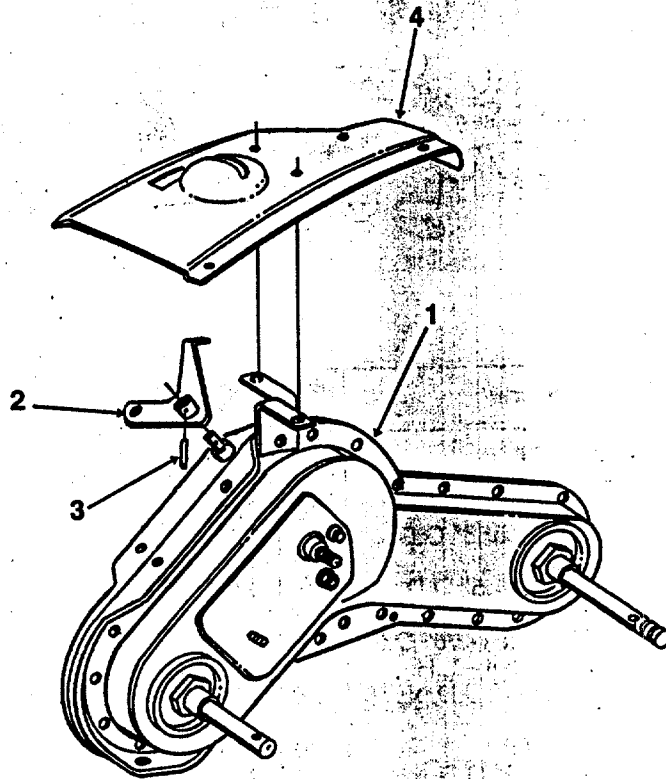
# SERVICE KIT

## 753-0649

**Code:** RT-124  
**Date:** February 13, 1996  
**Subject:** Replacing chain case assembly 986-0040

Install Service Kit 753-0649 when replacing chain case assembly 986-0040.

1995 and  
Prior

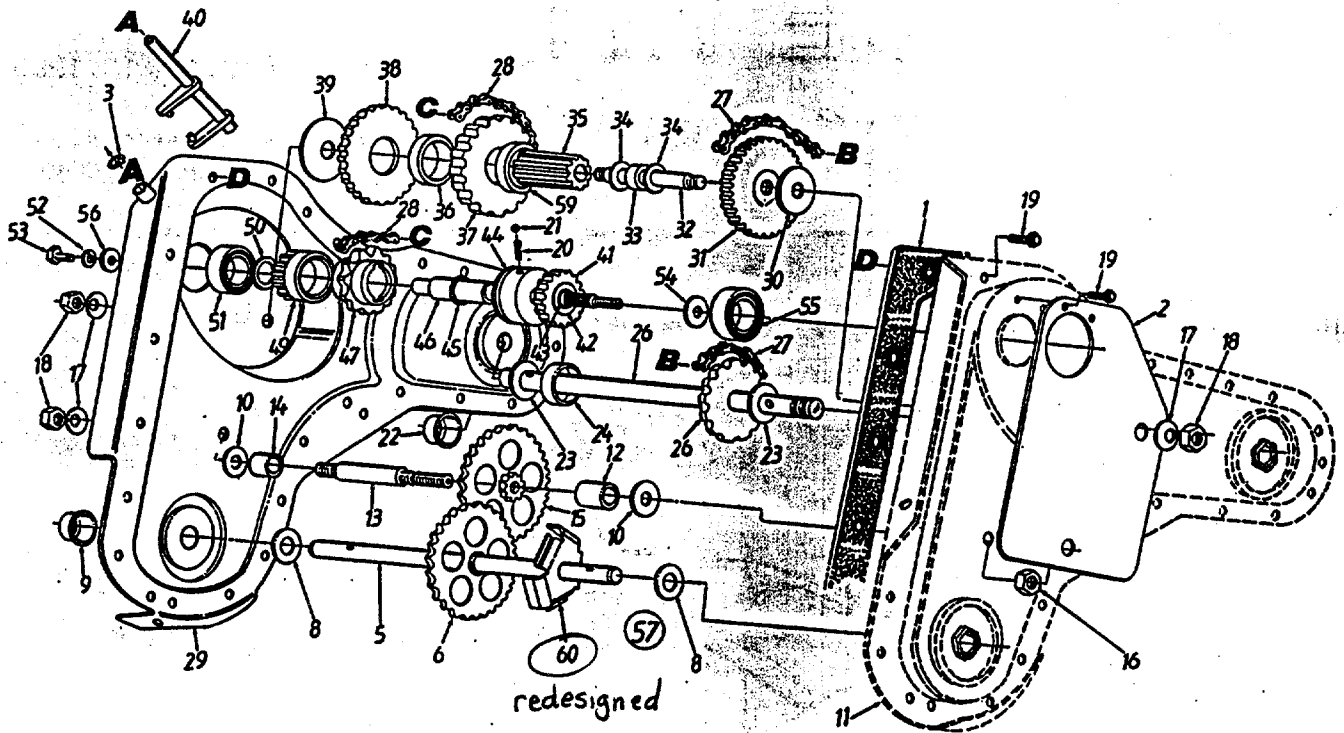


(See backside of sheet for breakdown)

### Service Kit 753-0649 Consists of:

| REF. | PART NO.  | DESCRIPTION         | QTY. |
|------|-----------|---------------------|------|
| 1    | 986-0094  | Chain Case Assembly | 1    |
| 2    | 686-0095  | Shift Assembly      | 1    |
| 3    | 715-0120  | Spiral Pin          | 1    |
| 4    | 786-0101A | Shift Cover         | 1    |
| -    | 770-0249L | Kit Sheet           | 1    |

# Chain Case Assembly (986-0094)



| REF. NO. | PART NO. | CODE | DESCRIPTION                                | REF. NO. | PART NO.            | CODE | DESCRIPTION                          |
|----------|----------|------|--|----------|---------------------|------|--------------------------------------|
| 1        | 721-0295 |      | Chain Case Gasket                          | 30       | 736-0406            |      | FI-Wash. 7/16" I.D. x 1-3/8" O.D.    |
| 2        | 786-0086 |      | Reinforcement Plate                        | 31       | 617-0003            | N    | Gear and Sprocket Ass'y.             |
| 3        | 716-0865 |      | Snap Ring                                  | 32       | 738-0884            |      | Jack Shaft 5" Lg.                    |
| 4        | 750-0938 |      | Spacer .735" I.D. x .886" O.D.             | 33       | 750-0931            |      | Spacer .636" I.D. x .86" O.D.        |
| 6        | 717-1458 | N    | Spur Gear 46T                              | 34       | 736-0302            |      | FI-Wash. .63" I.D. x .94" O.D.       |
| 8        | 736-0351 |      | FI-Wash. .76" I.D. x 1.5" O.D.             | 35       | 717-1411            |      | Spur Gear 10T                        |
| 9        | 784-0166 |      | Dust Cover Ass'y. .75" Shaft               | 36       | 750-0930            |      | Spacer 1.5" I.D. x 1.76" O.D.        |
| 10       | 736-0406 |      | FI-Wash. 7/16" I.D. x 1-3/8" O.D.          | 37       | 713-0436            |      | Sprocket—#41 Chain                   |
| 11       | 686-0039 |      | Gear Case Ass'y. Half—L.H.                 | 38       | 717-1405            |      | Reverse Gear 46T                     |
| 12       | 750-0935 |      | Spacer .635" I.D. x 1" O.D. x .78 Thk.     | 39       | 736-0518            |      | Thrust Wash. .445" I.D. x 1.92" O.D. |
| 13       | 738-0885 |      | Jack Shaft 2.06" Lg.                       | 40       | 618-0245            | N    | Shifter Ass'y.                       |
| 14       | 750-0936 |      | Spacer .635" I.D. x 1" O.D. x .37" Thk.    | 41       | 717-1409            |      | Spur Gear 17T                        |
| 15       | 617-0004 |      | Gear Idler Ass'y.                          | 42       | 736-0442            |      | FI-Wash. .69" I.D. x 1.06" O.D.      |
| 16       | 712-3067 |      | Hex Patch L-Nut 7/16-20 Thd.               | 43       | 716-0234            |      | Retaining Ring .669" Shaft           |
| 17       | 736-0407 |      | Bell-Wash. .45" I.D. x 1" O.D.             | 44       | 718-0234            |      | Clutch Collar                        |
| 18       | 712-0378 |      | Hex Nut 7/16-20 Thd.                       | 45       | 716-0235            |      | Retaining Ring .875" Shaft           |
| 19       | 710-0599 |      | Hex Wash. Hd. TT-Tap Scr. 1/4-20 x .5" Lg. | 46       | 711-0952            |      | Drive Shaft                          |
| 20       | 732-0863 |      | Spring Detent                              | 47       | 713-0435            |      | Sprocket 11T                         |
| 21       | 741-0862 |      | Ball Detent                                | 49       | 717-1451            |      | Spur Gear 16T                        |
| 22       | 784-0167 |      | Dust Cover Ass'y. 1" Shaft                 | 50       | 736-0336            |      | FI-Wash. 5/8" I.D. x 1" O.D.         |
| 23       | 736-0163 |      | Thrust Wash. 1.03" I.D. x 1.62" O.D.       | 51       | 741-0124            |      | Ball Bearing .669" I.D.              |
| 24       | 750-0570 |      | Spacer 1" I.D. x 2" O.D. x .5" Thk.        | 52       | 736-0329            |      | L-Wash. 1/4" I.D.                    |
| 26       | 611-0021 |      | Tine Shaft Ass'y.                          | 53       | 710-0258            |      | Hex Bolt 1/4-20 x .62" Lg.           |
| 27       | 713-0226 |      | Chain #50 5/8" Pitch x 52 Links—Endless    | 54       | 736-0511            |      | FI-Wash. .635" I.D. x 1" O.D.        |
| 28       | 713-0223 |      | Chain—#41 1/2" Pitch x 30 Links—Endless    | 55       | 741-0563            |      | Ball Bearing                         |
| 29       | 686-0038 |      | Gear Case Ass'y. Half—R.H.                 | 56       | 736-0512            |      | FI-Wash. .281" I.D. x .875" O.D.     |
|          |          |      |  | 57       | 986-0094            | N    | Gear Case Ass'y. Comp.               |
|          |          |      |  | 58       | <del>718-0227</del> | 0237 | Key—Drive Shaft (Not Shown)          |
|          |          |      |  | 59       | 750-0987            |      | Spacer 1.52" I.D.                    |
|          |          |      |  | 60       | 611-0058            | N    | Wheel Shaft Ass'y.                   |