

# Service Kit 753-0655

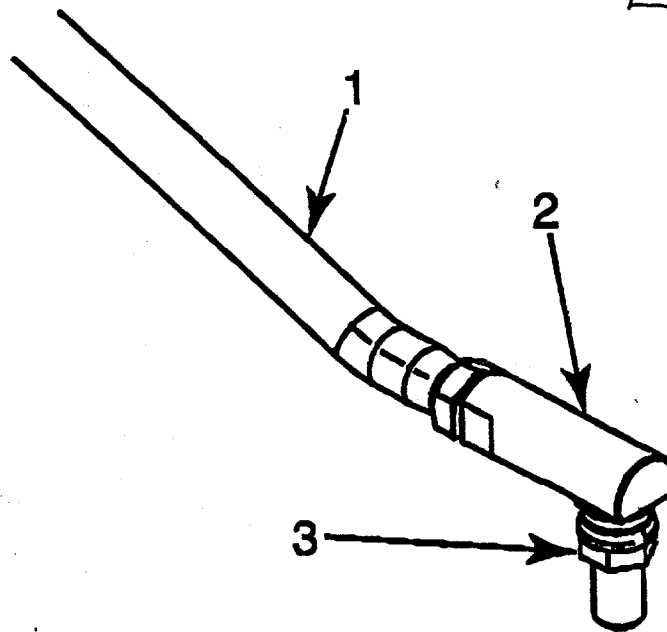
CODE: R-397

DATE: August 19, 1997

SUBJ: Replacing Drag Link

USE KIT 753-0655 WHEN REPLACING PART NO. 711-1001.

Ref. No.	Part No.	Description	Qty.
1	711-1122	Steering Drag Link	1
2	712-0240	Hex Jam Nut 3/8-24 Thd.	2
3	723-0448	Drag Link Ball Joint 3/8-24Thd.	2



*LH Steering*