

NOTE: Use with - 753-0839

INSTRUCTION SHEET

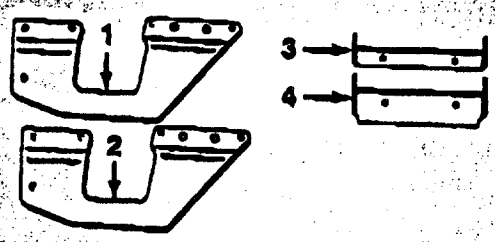
BLADE CONVERSION KIT NO. 753-0656

ASSEMBLY INSTRUCTIONS

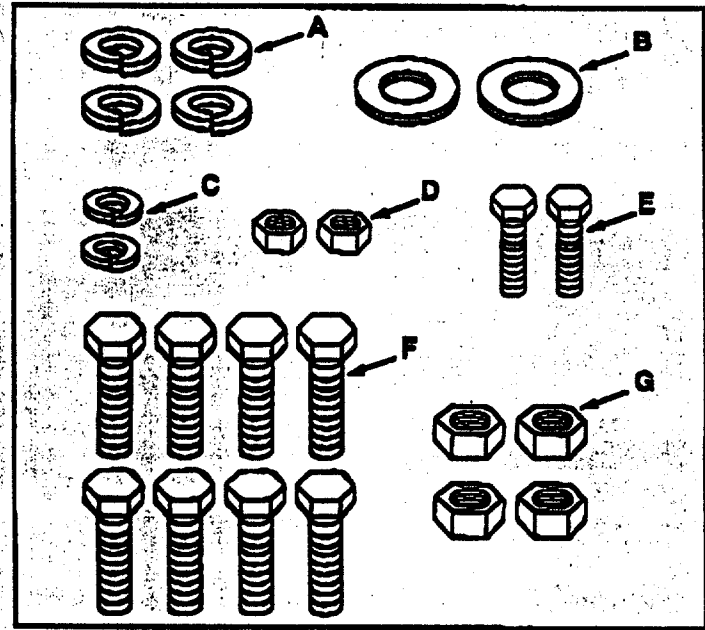
The enclosed parts are for mounting 42" Snow Blades (models 190-485C-000 and 190-492-000) to 600 Series Lawn Tractors which were built after November 1995. These parts replace the R.H. and L.H. support brackets which were originally supplied with your snow blade. The enclosed hardware will be used in addition to the original hardware supplied with your blade.

LOOSE PARTS IN CARTON

- | | |
|--------------------------------|-------------|
| 1. Frame Support Bracket, R.H. | (P/N 24134) |
| 2. Frame Support Bracket, L.H. | (P/N 24133) |
| 3. Lower Support Bracket | (P/N 24128) |
| 4. Upper Support Bracket | (P/N 24132) |



CONTENTS OF HARDWARE PACK



REF.	QTY.	DESCRIPTION	PART NO.
A	4	Lock Washer, 3/8"	43003
B	2	Washer, 3/8" Std.	43070
C	2	Lock Washer, 1/4"	43177
D	2	Hex Nut, 1/4-20 Thd.	43178
E	2	Hex Bolt, 1/4-20 x 3/4" Lg.	43012
F	8	Hex Bolt, 3/8-16 x 1" Lg.	43001
G	4	Hex Nut, 3/8-16 Thd.	43015

190-485C000 42" SNOW BLADE

To mount this blade to your tractor, proceed with the following instructions immediately after completion of step 10 in your blade owners manual. Steps 16 through 20 in the manual are eliminated.

190-492-000 42" SNOW BLADE

To mount this blade to your tractor, proceed with the following instructions immediately after completion of step 8 in your blade owners manual. Steps 9 through 13 in the manual are eliminated.

- Working on the right side of the tractor, place the right hand frame support, with the bend angling to the inside, against the frame of the tractor. See figures 1 and 2.

NOTE: On some older lawn tractors it may be necessary to drill the tractor frame mounting holes used in steps 2 and 3. To drill mounting holes use the support bracket as a template. Attach front of frame support bracket to grille mounting bracket as instructed in step 4. Place the two large holes on the rear of support bracket over the two self-tapping screws which secure the belt guard to the frame. See figure 1. Using the rear hole as a guide, drill a 9/32" hole through the frame of the tractor. Now using the front hole as a guide, drill a 13/32" hole through the frame of the tractor. Assemble support bracket as instructed in steps 2 and 3. Repeat this procedure on left hand support bracket. Tighten all bolts securely.

- Insert 1/4" x 3/4" hex bolt through small hole in rear of frame support bracket and frame of tractor. Secure with 1/4" lock washer and 1/4" hex nut. Tighten finger tight only. See figure 1.
- Insert 3/8" x 1" hex bolt through front hole of support bracket (located behind the pivot bar) and frame of tractor. Secure with 3/8" lock washer and 3/8" hex nut. Tighten finger tight only. See figure 1.

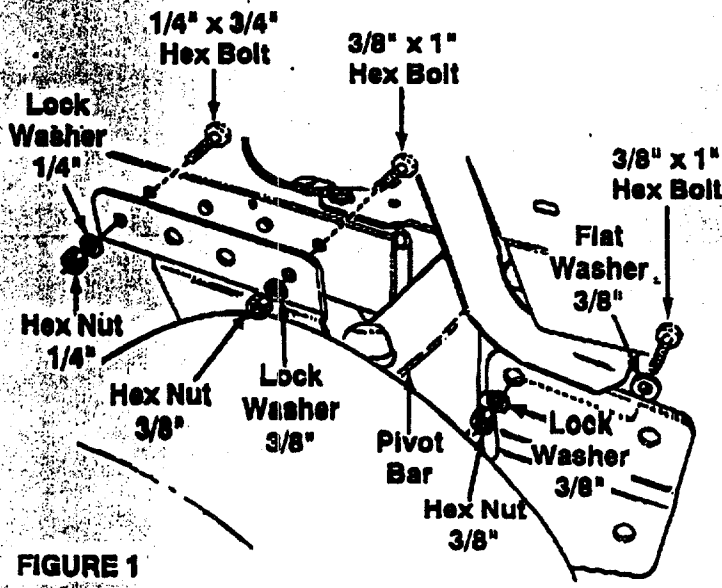


FIGURE 1



WARNING: Be certain the engine and muffler are not hot when assembling the support brackets.

- Place 3/8" flat washer on 3/8" x 1" hex bolt and insert bolt through front hole of each frame support bracket (located in front of pivot bar) and bottom holes of grille mounting bracket. See figure 2. Secure with 3/8" lock washer and 3/8" hex nut. Tighten securely.

NOTE: On some lawn tractors it may be necessary to remove a heat shield before attaching the frame support bracket to the grille mounting bracket. Be certain to reassemble the heat shield when the snow blade is removed.

- Tighten the two bolts not tightened in steps 2 and 3.
- Repeat steps 1 through 5 for the left hand support bracket.

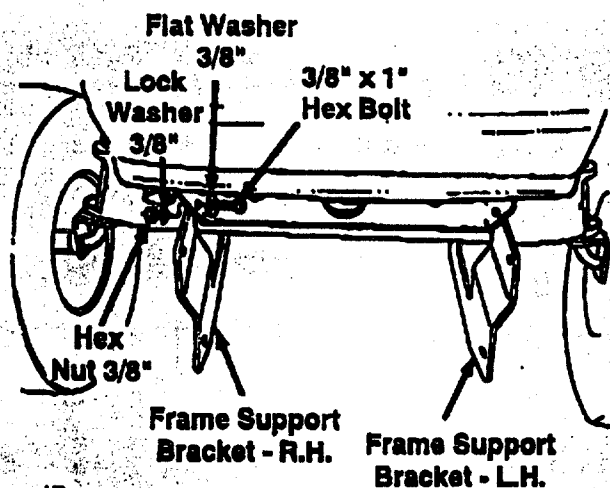


FIGURE 2

port bracket to the pivot support bracket, using four 3/8" x 1" hex bolts, 3/8" lock washers and 3/8" hex nuts. See figure 3. Tighten securely.

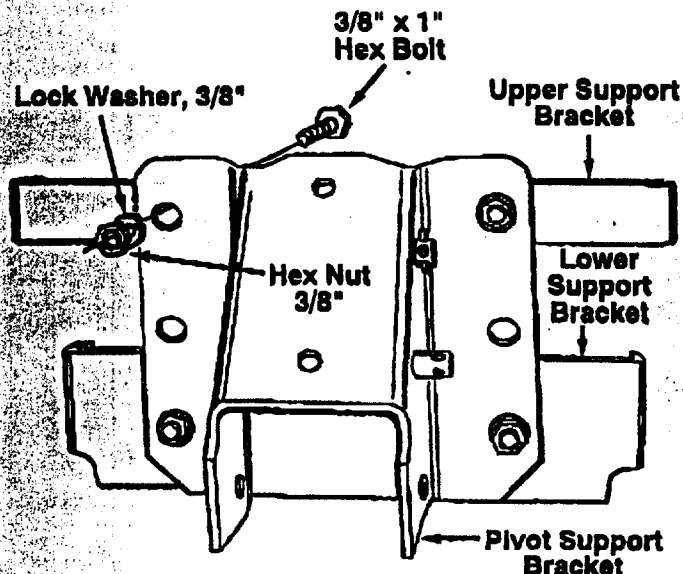


FIGURE 3

- Place the pivot support bracket between the frame support brackets in front of the tractor. Attach the upper and lower support brackets to the frame support brackets using four 3/8" x 1" hex bolts, 3/8" lock washers and 3/8" hex nuts. See figure 4. Tighten securely.

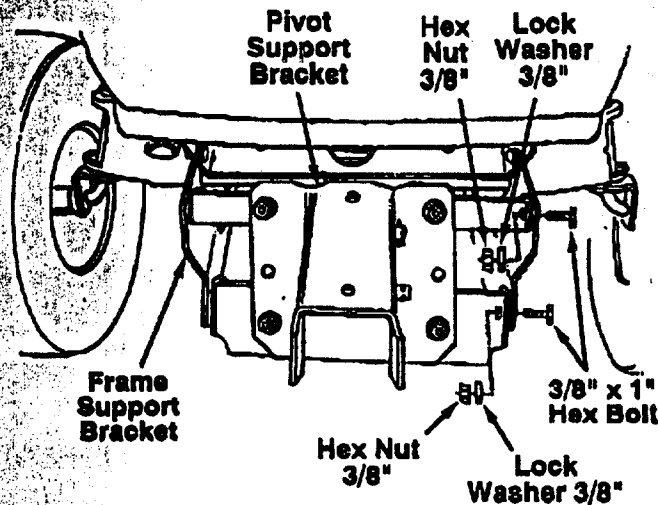


FIGURE 4

**For Replacement Parts, Contact:
SERVICE DEPARTMENT • P.O. BOX 368022 • CLEVELAND, OHIO • 44136-9722**



WARNING: Be certain the engine and muffler are not hot when assembling the support brackets.

- Place 3/8" flat washer on 3/8" x 1" hex bolt and insert bolt through front hole of each frame support bracket (located in front of pivot bar) and bottom holes of grille mounting bracket. See figure 2. Secure with 3/8" lock washer and 3/8" hex nut. Tighten securely.

NOTE: On some lawn tractors it may be necessary to remove a heat shield before attaching the frame support bracket to the grille mounting bracket. Be certain to reassemble the heat shield when the snow blade is removed.

- Tighten the two bolts not tightened in steps 2 and 3.
- Repeat steps 1 through 5 for the left hand support bracket.

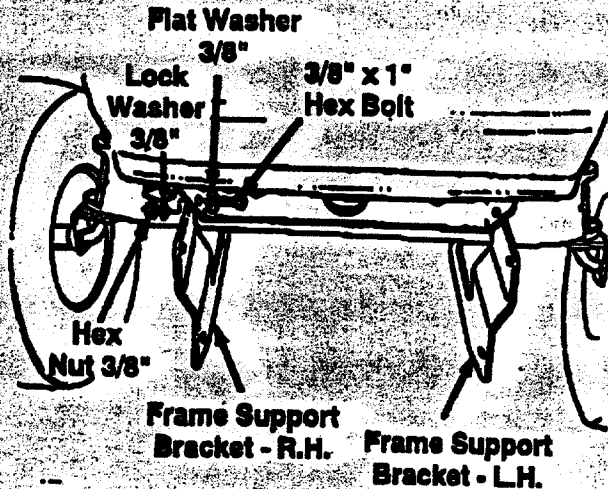


FIGURE 2

- Attach the upper support bracket and the lower support bracket to the pivot support bracket, using four 3/8" x 1" hex bolts, 3/8" lock washers and 3/8" hex nuts. See figure 3. Tighten securely.

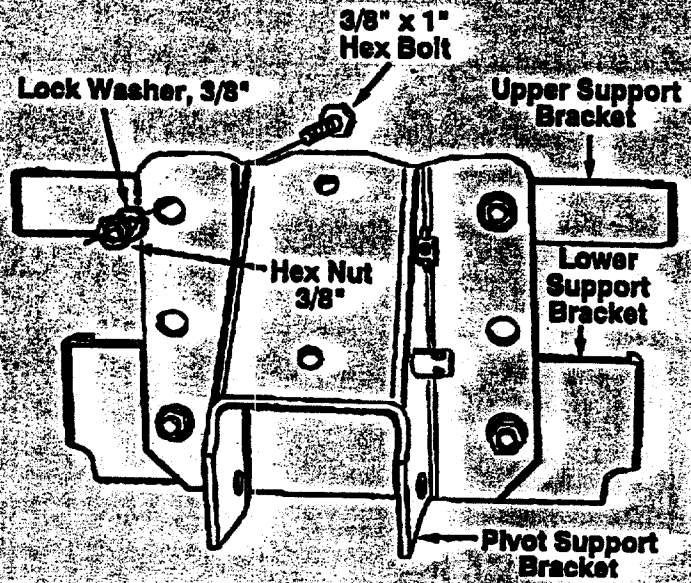


FIGURE 3

- Place the pivot support bracket between the frame support brackets in front of the tractor. Attach the upper and lower support brackets to the frame support brackets using four 3/8" x 1" hex bolts, 3/8" lock washers and 3/8" hex nuts. See figure 4. Tighten securely.

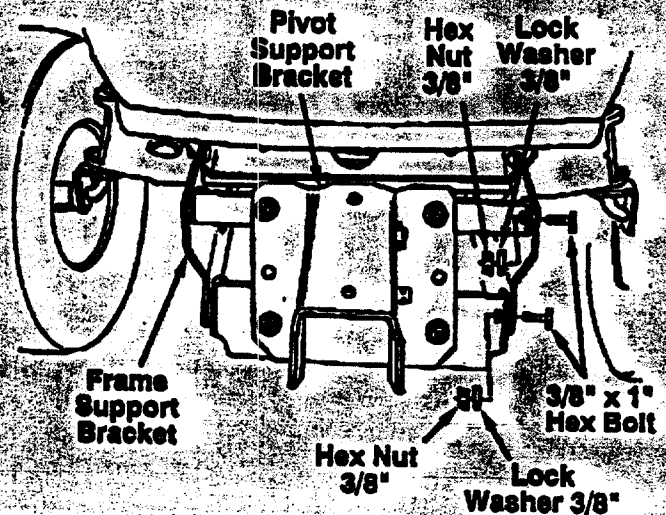


FIGURE 4

For Replacement Parts, Contact:
SERVICE DEPARTMENT • P.O. BOX 368022 • CLEVELAND, OHIO • 44136-9722

KIT NUMBER 753-0656

KIT NUMBER 753-0656 CONSISTS OF THE FOLLOWING:

<u>PART NUMBER</u>	<u>DESCRIPTION</u>	<u>QUANTITY</u>
AF-24133	FRAME SUPPORT-LH	1
AF-24134	FRAME SUPPORT-RH	1
AF-24132	SUPPORT BRKT-UPPER	1
AF-24128	SUPPORT BRKT-LOWER	1
736-0169	LOCK WASHER 3/8 ID	8
710-0253	HEX BOLT 3/8-18X1"	8
712-0798	HEX NUT 3/8-16	8
AF-43012	HEX BOLT 1/4-20X3/4"	2
736-0329	LOCK WASHER 1/4 ID	2
712-0287	HEX NUT 1/4-20	2

THIS KIT IS TO BE USED ON 600 SERIES LAWN TRACTORS BUILT AFTER NOVEMBER 1995.

THIS KIT WILL PROVIDE FOR ADAPTING THE 190-485C-000 & THE 190-492-000 42" SNOW BLADES TO NEWER STYLE RIDING UNITS.

THE KIT WAS DEVELOPED DUE TO THE INTERFERENCE PROBLEM WITH THE NEW STYLE MUFFLERS WHICH ARE MOUNTED IN FRONT OF THE PIVOT BAR ON THE 1996 UNITS.

THIS KIT WILL ALLOW CUSTOMERS TO USE THEIR OLDER STYLE BLADE IN THE EVENT THEY SHOULD PURCHASE A NEW UNIT.

THIS KIT WILL BE AVAILBLE THROUGH SERVICE.

DUE TO THE CURRENT INVENTORY ON THE 485 & 492 BLADE THE 753-0656 KIT IS GOING TO BE PACKED WITH THE BLADE.

AGRI-FAB IS MANUFACTURING THE KIT AND WILL PROVIDE US WITH THE MOUNTING INSTRUCTIONS WHEN THEY BECOME AVAILABLE.