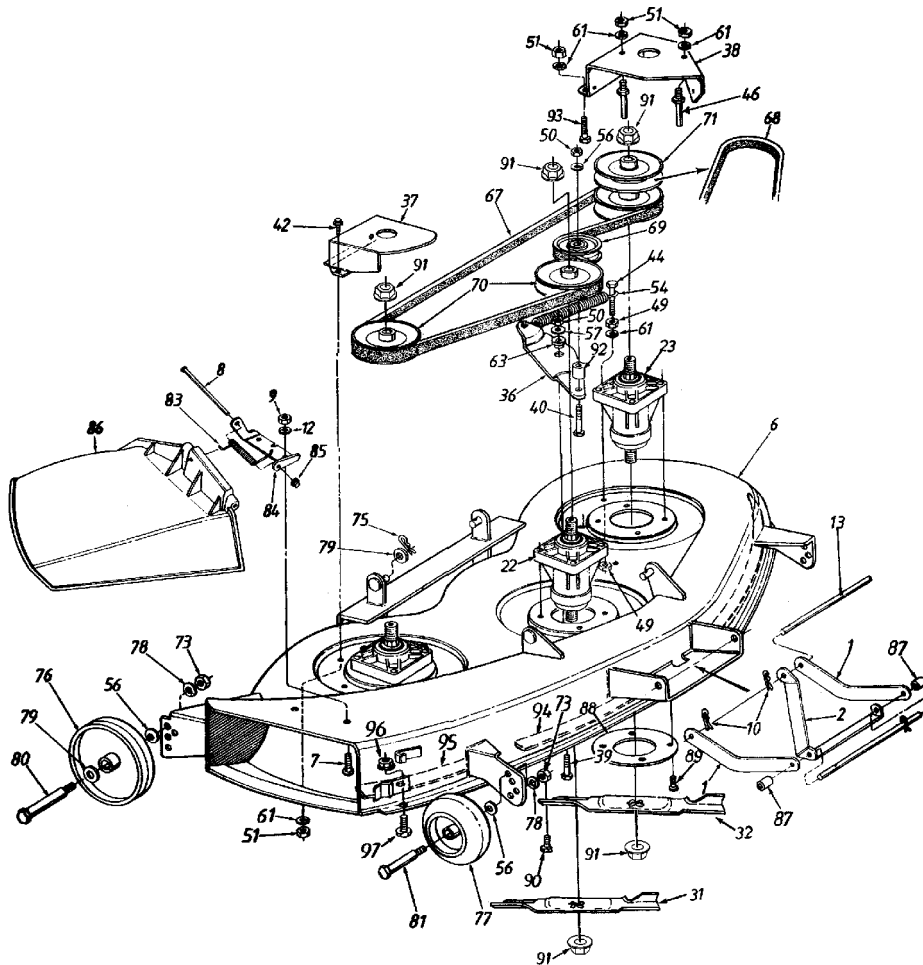


Service Kit 753-0692

CODE: T-127

DATE: February 19, 1997

SUBJ: 46" deck assembly



1	17347		Deck Stabilizer
2	17264		Diagonal Brace
6	683-0054		46" Deck Ass'y. Comp.(Electric Clutch)
7	710-0258		Hex Bolt 1/4-20 x .62" Lg.
8	711-0792		Hinge Pin
9	712-3006		Hex Nut 1/4-20 Thd.
10	714-0149B		Hairpin Clip
12	736-0270		Bell-Wash. 1/4" I.D.
13	738-0392		Deck Connecting Rod
22	618-0240	N	Spindle Ass'y. (R.H. & Center)
23	618-0241	N	Spindle Ass'y. (L.H.)

29	736-0119		Lock Wash. 5/16" I.D.*
31	742-0645	N	Blade 14.88" Lg. (Middle)
32	742-0644	N	Blade 16.28" Lg. (R.H. & L.H.)
36	17213A		Idler Bracket
37	17258A		Belt Cover Brkt.—R.H.
38	783-0066A		Belt Cover—L.H.
39	710-0152		Hex Bolt 3/8-24 x 1.0" Lg.
40	710-0151		Hex Bolt 3/8-24 x 2" Lg.
42	710-0599		Hex Wash. Hd. Tap-Scr.1/4-20 x .5" Lg.
44	710-0698		Hex Bolt 1/4-28 x 1.5" Lg.
46	711-0993		Belt Guard Pin 1/4" Dia.
49	712-0138		Hex Nut 1/4-28 Thd.
50	712-0241		Hex Nut 3/8-24 Thd.

51	712-3006		Hex Nut 1/4-20 Thd.
54	732-0594A		Extension Spring 6.17" Lg.
56	736-0105		Bell-Wash. .38" I.D. x .88" O.D.
57	736-0331		Bell-Wash. .39" I.D. x 1.13" O.D.
61	736-0329		L-Wash. 1/4" I.D.*
63	738-0347		Shld. Spacer .625" I.D.
67	754-0349		V-Belt
68	754-0350		V-Belt
69	756-0627		FI-Idler Pulley 3.5" O.D.
70	756-0969		Pulley 5.0" Dia.
71	756-0603		Double Pulley 5.0" Dia.
73	712-0798		Hex Nut 3/8-16 Thd.
75	714-0145		Intern. Cotter Pin 3/8 Dia.
76	734-0973		Deck Wheel 5" Dia.
77	734-3058B		Deck Wheel w/Insert 5" Dia.
78	736-0169		L-Wash. 3/8" I.D.*
79	736-0192		FI-Wash. .531" I.D.
80	738-0533		Shoulder Bolt .498" Dia. x 1.64" Lg.
81	738-3056		Shoulder Bolt
83	732-0602		Torsion Spring
84	703-1693		Hinge Mtg. Brkt.
85	726-0106		Push Nut
86	731-1032		Chute Ass'y. Comp.(Incl. Ref. 8, 83, 84, 85, 86)
87	750-0932A	N	Spacer 5/8" I.D. x 7/8" O.D.
88	17982		Spindle Reinforcement Plate
89	710-0650		Hex Wash. Hd. Scr. 5/16-18 x1" Lg.
90	710-1260		Hex Wash. Hd. Scr. 5/16-18 x.75" Lg.
91	712-0417A		Hex Flange Nut 5/8-18 Thd.
92	711-0242		Spacer .38" I.D.
93	710-0289		Hex Bolt 1/4-20 x .5" Lg.
94	783-0141		Skirt—Center
95	783-0142		Skirt—Right Hand
96	712-0271		Hex Sems Nut 1/4-20 Thd.
97	710-0167		Carriage Bolt 1/4-20 x .5" Lg.