

SERVICE KIT 753-0700

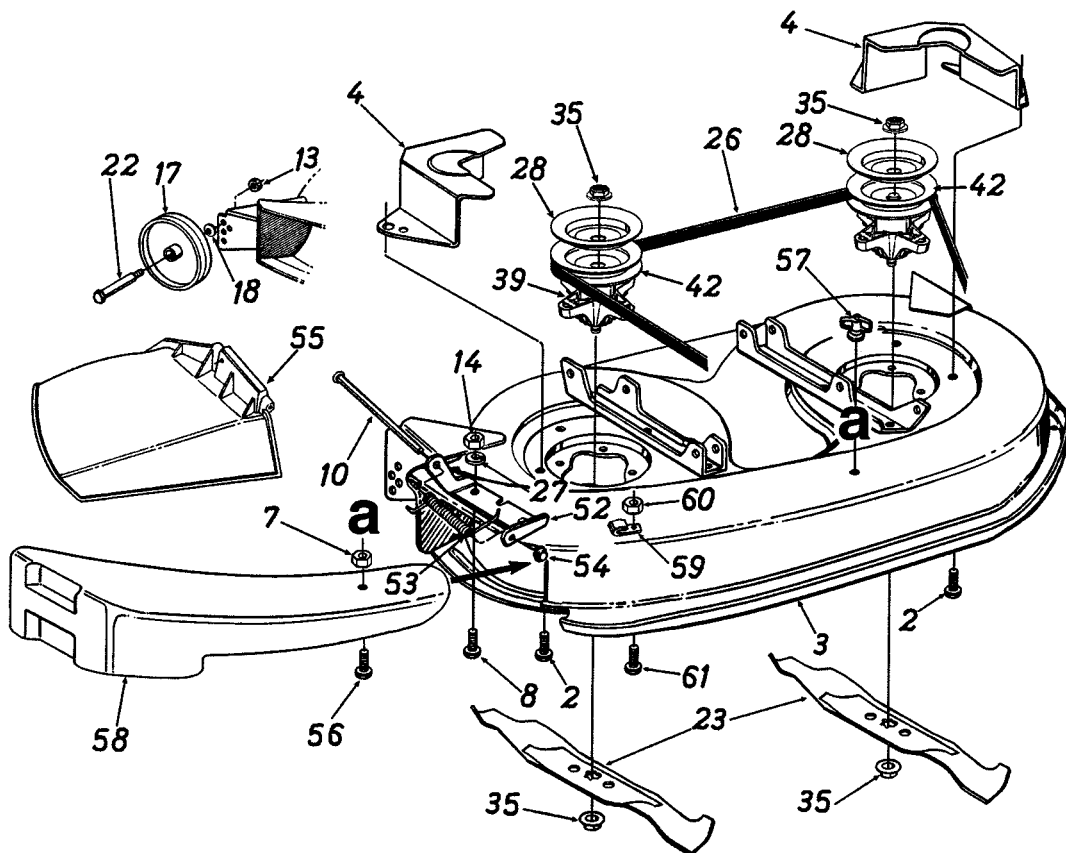
CODE: R-395

DATE: April 21, 1997

SUBJ: 42" Deck assembly with
Electric PTO

Install Service Kit 753-0700 when replacing deck part number 813-06194. Kit includes updated complete 42" deck assembly.

Deck "G" (42")



PARTS LIST FOR 42" MOWING DECK

REF. NO.	PART NO.	CODE	DESCRIPTION	REF. NO.	PART NO.	CODE	DESCRIPTION
2	710-1260		Hex Wash. Hd. TT-Tap Scr. 5/16-18 x .75" Lg.	33	710-0157		Hex Bolt 5/16-24 x .75" Lg.
3	683-0141	N	42" Deck Ass'y.	35	712-0417A		Hex Flange Nut 5/8-18 Thd.†
	813-06979	N	42" Deck Ass'y. Comp. (For Service Only)	37	736-0158		L-Wash. 5/8" I.D.*
4	783-0149	N	Belt Guard Deck	39	618-0142	N	Blade Spindle Ass'y. Comp. (Incl. Ref. 28, 35, 42)
7	712-0291		Hex L-Nut 1/4-20 Thd.††	42	756-0980	N	5.75" Dia. Pulley†
8	710-0258		Hex Bolt 1/4-20 x .62"	52	703-1693		Hinge Mtg. Brkt.
10	711-0792		Hinge Pin	53	732-0602		Torsion Spring
13	712-0181		Hex Top L-Nut 3/8-16 Thd.	54	726-0106		Push Nut
14	712-3006		Hex Nut 1/4-20 Thd. (Gr. 5)	55	731-1032		Chute Ass'y. Comp. (Incl. Ref. 10, 52, 53, 54, 55)
17	734-0973		Deck Wheel—5"	56	710-0597		Hex Bolt 1/4-20 x 1" Lg.††
18	736-0105		Bell-Wash. .40" I.D. x .88" O.D.	57	712-3087		Wing Nut 1/4-20 Thd.††
22	738-0373		Shld. Bolt .498" Dia. x 1.53"	58	731-1643	N	Mulching Plug††
23	742-0616	N	3 in 1 Blade	59	16606		Retainer Hook Brkt.
26	754-0371A		V-Belt	60	712-0271		Hex Sems Nut 1/4-20 Thd.
27	736-0270		Bell-Wash. 1/4" I.D.	61	710-0258		Hex Bolt 1/4-20 x .62" Lg.
28	783-0342		Brake Disc				

† Deck pulleys and blade nuts must be torqued to 100 ft. lbs. if removed or replaced.

†† Optional

AVAILABLE DECK COLORS

Place order for corresponding deck color shown below.

753-0700-0637

Powder Black

753-0700-0648

Tech Gray