

SERVICE KIT

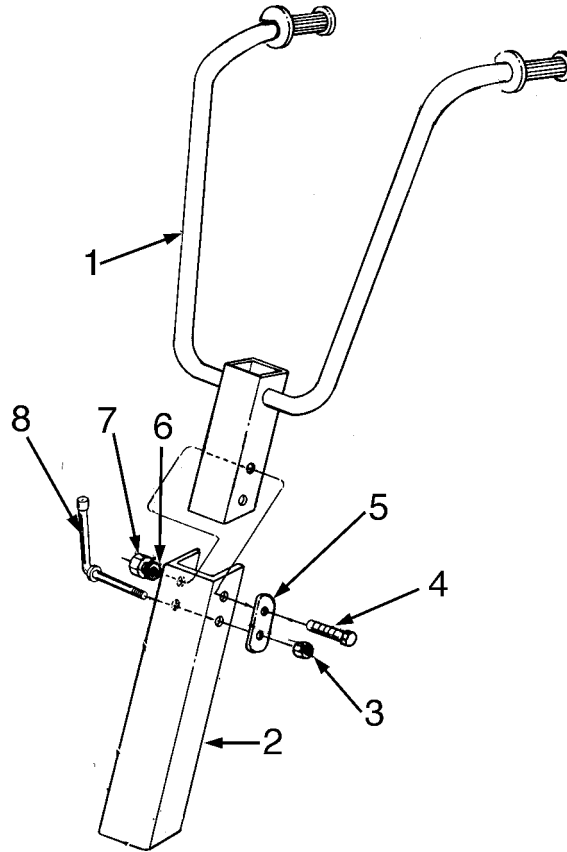
753-0701

CODE: RT-128

DATE: April 21, 1997

SUBJ: Tiller Model 035

Install Service Kit 753-0701 when replacing handle assembly 649-0153.



Service Kit 753-0701 Consists of:

| Ref. No. | Part No. | Description | Qty |
|----------|----------|--------------------------------|-----|
| 1 | 649-0018 | Handle Assembly | 1 |
| 2 | 786-0146 | Handle Channel-Frame | 1 |
| 3 | 712-0379 | Hex flange lock nut 3/8-24thd. | 1 |
| 4 | 710-3022 | Carr. Bolt 5/16-18 x 2.5" lg. | 1 |
| 5 | 784-0191 | Retainer bracket | 1 |
| 6 | 736-0300 | Flat washer | 1 |
| 7 | 712-0431 | Hex lock nut 3/8-16 thd. | 1 |
| 8 | 784-0190 | Handle adj. Crank | 1 |