

Service Kit 753-0711

CODE: R-398

DATE: October 10, 1997

SUBJ: 2-spd transmission housing
assembly replacement

Install Service Kit 753-0711 when replacing upper housing part number 619-0017.

Due to the design change on the new housing assembly it will be necessary to drill a hole in the existing torque bracket on the unit in order to install the transmission.

Tools required:

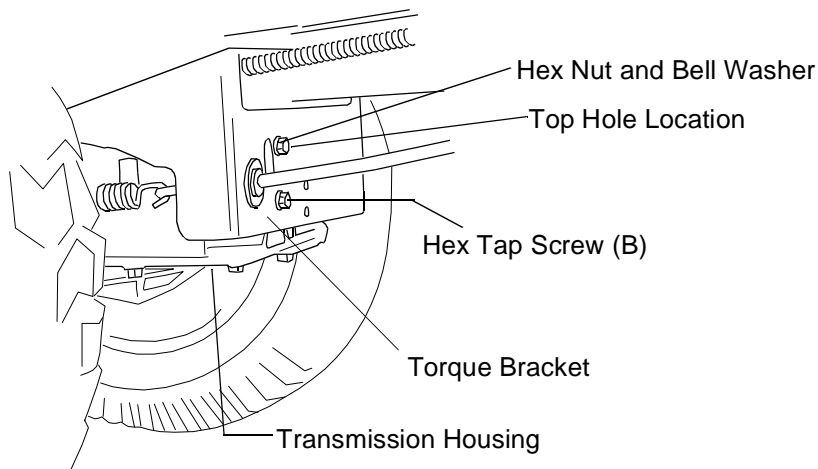
- Electric hand drill
- 5/16" drill bit
- two 1/2" wrenches

Installation instructions:

1. Remove the spark plug wire(s) from the spark plug(s).
2. Lower cutting deck to its lowest position
3. Using a hand drill equipped with a 5/16" drill bit, drill through the top hole of the torque bracket.

CAUTION: Drill only through the top hole in the torque bracket.

4. Reattach the transmission housing to the torque bracket with hex cap screw, bell washer, and lock nut. The original lower torque bracket bolt must be retained for final assembly.



View of transmission housing and torque bracket from right side of tractor looking back towards rear of unit.

Form Number 770-0815A

- The head of the hex bolt **MUST** be placed against the transmission housing as shown in Figure 2.

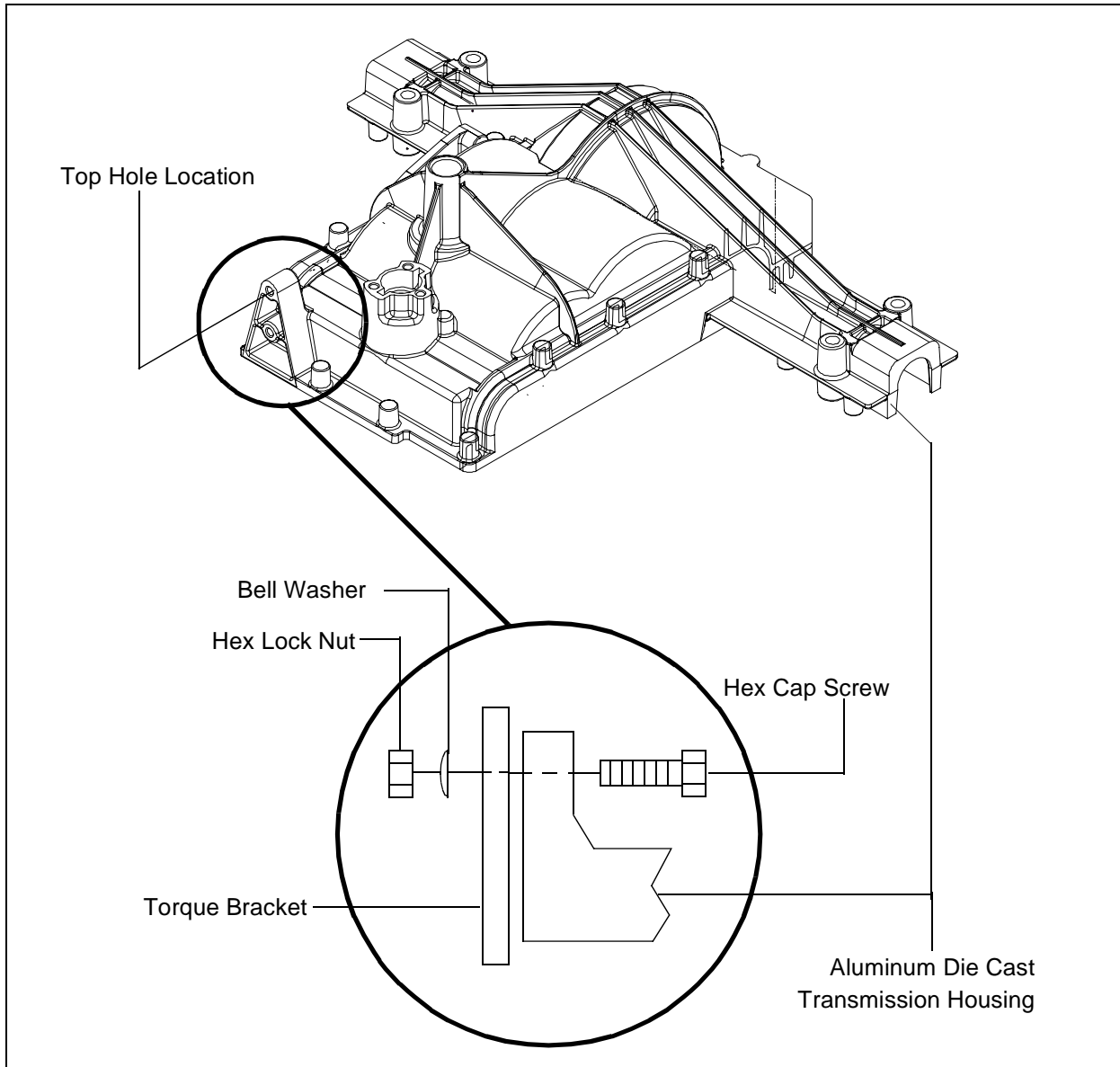


Figure 2

- Tighten the hex cap screw to secure the transmission housing to the torque bracket. The proper torque setting for this bolt is 20 ft./lbs.

Service Kit 753-0711 consists of:

Ref No.	Part No.	Description	Qty.
1	919-0037	Upper Housing Ass'y	1
2	710-3083	Hex Cap Screw	1
3	712-3004A	Lock Nut	1
4	736-0242	Bell Washer	1