

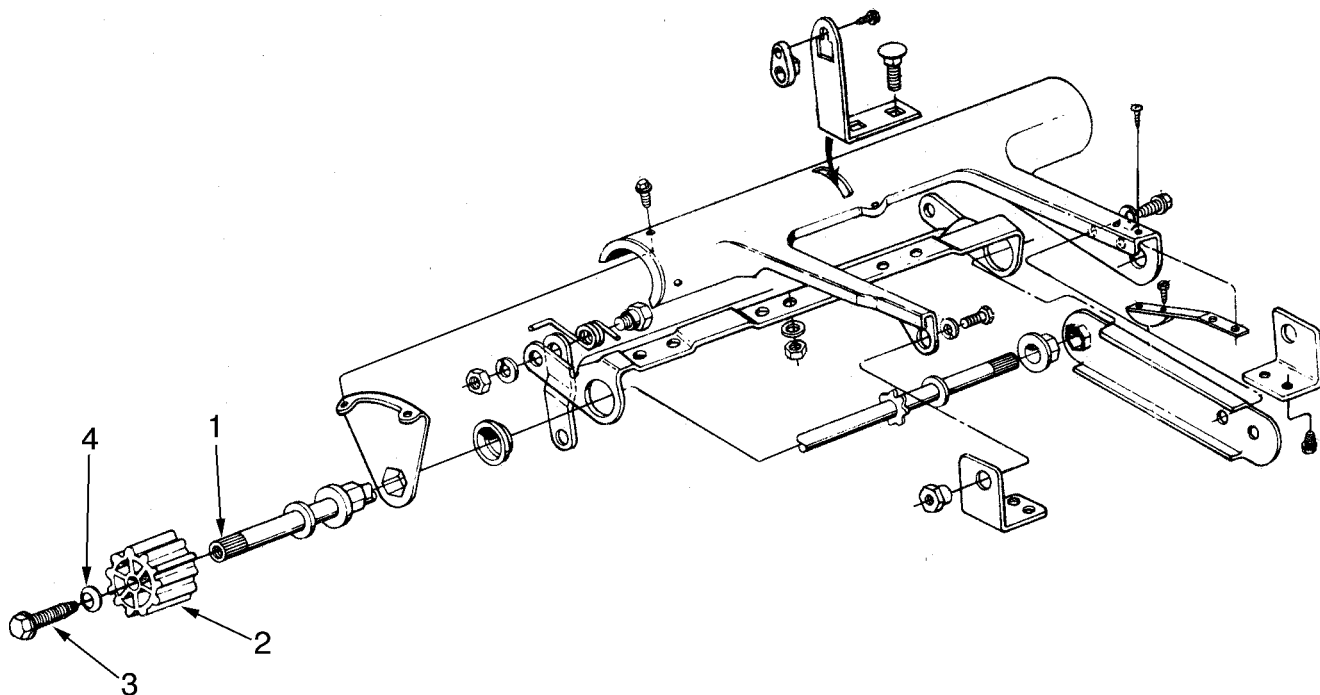
# Service Kit 753-0715

CODE: SP-156

DATE: August 18, 1997

SUBJ: Pinion drive self-propelled  
lawnmower.

Install Service Kit 753-0715 when replacing drive shaft assembly part number 738-0530.



**NOTE:** For Model Series 220 thru 229 it will be necessary to order replacement pinion drive halves. Order 4 each of a part number 717-0623.

**Service Kit 753-0715 consists of:**

Ref No.	Part No.	Description	Qty.
1	738-0732	Drive shaft assembly	1
2	731-0908	Drive Pinion	2
3	710-1115	Hex screw	2
4	736-0270	Bell Washer	2