

Service Kit 753-0720

CODE: ST-144

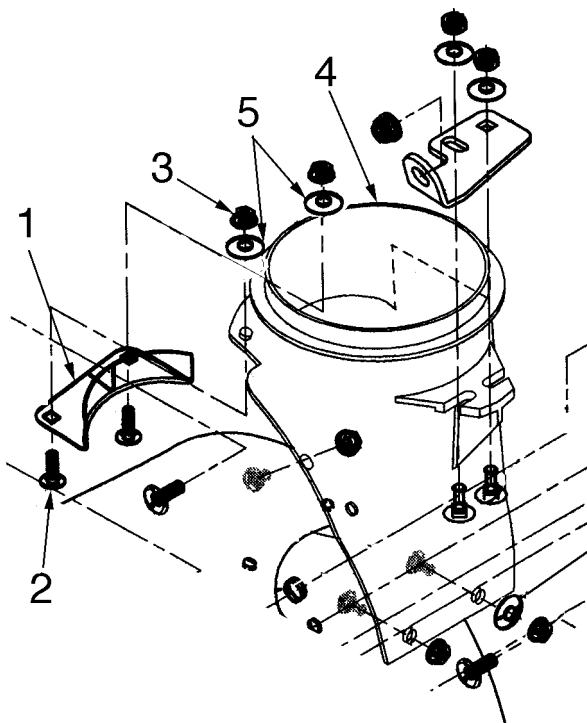
DATE: December 3, 1997

SUBJ: Replace plastic chute adapter on 600 series snow throwers

- **Problem:** Plastic chute adapter part number 731-1306A will now be replaced with a new plastic chute adapter part number part number 731-1379.
- **Cause:** Plastic chute adapter (731-1306A) has been discontinued.
- **Solution:** Install Service Kit **753-0720**.

Instructions:

1. Remove chute crank bracket (784-5647) and lower chute from original chute adapter.
NOTE: It is not necessary to remove crank form chute crank adapter.
2. Remove original chute adapter (731-1306A) from housing, replace with new adapter (731-1379)
NOTE: When installing new adapter make certain lip of adapter is seated into blower housing.
3. Replace hardware in the three holes that match up with holes on the blower housing. Hand tighten hardware to locate the chute adapter on the housing.
4. Place reinforcement bracket, provided in kit, on housings. Line up reinforcement bracket with holes in new chute adapter.
5. Using the chute adapter and reinforcement bracket provided in the kit as a template. Mark hole location on housing with a marker.
6. Drill two holes in housing for mounting chute adapter with 9/32" drill bit.
7. Install the two mounting bolts through the drilled holes and secure with washer and nut. Tighten all mounting hardware now.
8. Reassemble chute crank bracket and lower chute to new chute adapter.



Service Kit 753-0720 Consists of:

Ref. No.	Part No.	Description	Qty.
1	705-5226	Reinforcement Bracket	1
2	710-3015	Hex Screw 1/4-20 x .75" Lg	2
3	712-0324	Lock Nut 1/4-20 Thd.	2
4	731-1379	Chute Adapter	1
5	736-0463	Flat Washer	2