

Service Kit

753-0827

CODE: PM-273

DATE: January 21, 1998

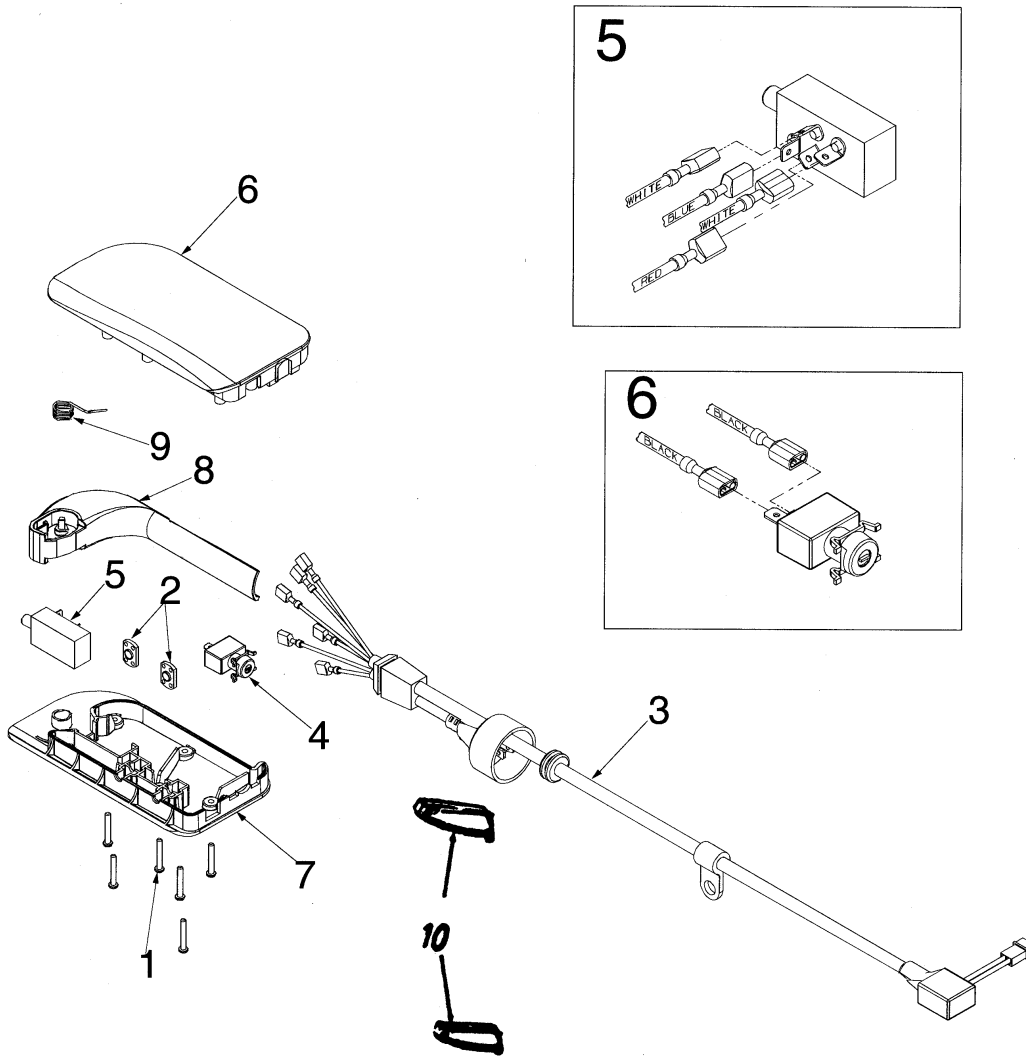
SUBJ: Cord and switch replacement on
electric lawnmower models
numbers 407 and 707

Use Service Kit number 753-0827 when replacing cord and switch assembly part number 625-0018A or 925-0018B. This kit included the updated cord and switch assembly for the current electric lawnmowers.

INSTALLATION INSTRUCTIONS

1. Unplug the unit from the power source
2. Remove the motor cover screws from beneath the mower deck and remove the motor cover.
3. Remove the nut that secures the cord clamp to the top of the motor.
4. Disconnect the wire lead coming from the motor and the plug connected to the rectifier.
5. Remove the tie strap that secures the cord to the lower handle.
6. Remove the bail from the left side of the handle and the switch control box. Discard the bail. The bail is not use with the new cord and switch assembly.
7. Remove the two screws that secures the control box to the upper handle. Retain the two screws for re-assembly of the new switch.
8. Install the new switch control box with the two screws removed in Step 7. Use two uppermost screw holes in upper handle.
9. Connect the black plug into the rectifier.
10. Connect the plug with the red and blue wires to the motor lead.
NOTE: The leads should be connected so that the red and blue wire are in the same position.
11. Secure the cord clamp to the top of the motor with the nut removed in Step 3.
12. Install the rubber grommet into the space provided in the back of the motor cover.
13. Secure the motor cover with the screws removed in Step 2.
14. Secure the cord to the lower handle with the new tie straps provided in the kit.
15. Connect unit to power source and test proper function.

Exploded view of Cord & Switch Assembly (Part No. 625-0050)



Service Kit 753-0827 Consist of:

Ref. No.	Part No.	Description	Qty.
1	710-1150	Hex Lock screw #7-19 x 1.00 lg.	7
2	712-0414	Weld tab nut 1/4-20 thd.	2
3	724-0248	Cord with plug	1
4	725-1712	Circuit Breaker	1
5	725-1731	Switch	1
6	731-1985	Upper Switch Housing	1
7	731-1986	Lower Switch Housing	1
8	731-1987	Control Lever	1
9	732-0935	Torsion Spring	1
10	725-0157	Cable ties	2