

# Service Kit

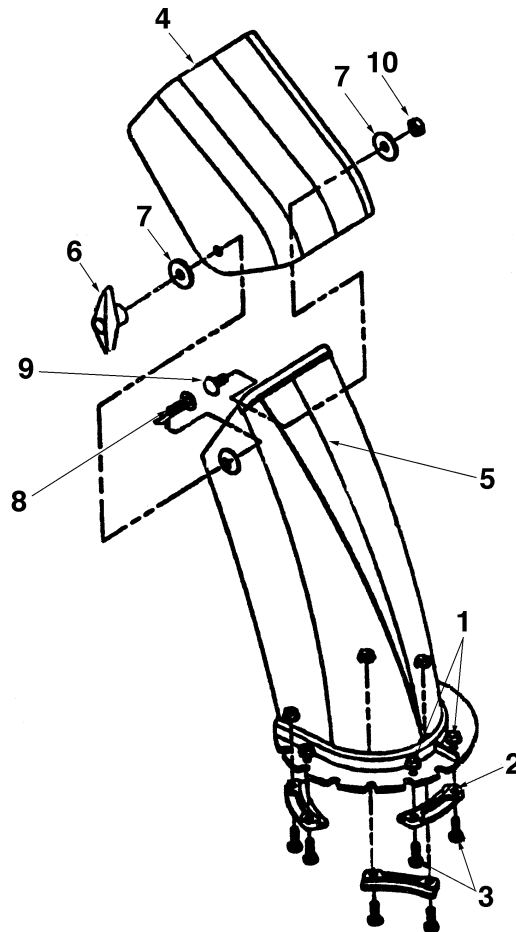
## 753-0831

CODE: ST-147

DATE: March 14, 1998

SUBJ: Upper Chute Assembly

Use this Service Kit when replacing upper chute assembly part number 731-0748B.



**Service Kit 753-0831 consists of:**

Ref. No.	Part No.	Description	Qty.
1	712-3027	Lock Nut	6
2	731-0851A	Chute Flange Keeper	3
3	710-3015	Hex Screw	6
4	731-0921	Upper Chute	1
5	731-1300A	Lower Chute	1
6	720-0284	Wing Nut Knob	1
7	736-0231	Flat Washer	2
8	710-0276	Carriage Bolt	1
9	710-0451	Carriage Bolt	1
10	712-0158	Hex Center Lock Nut	1