

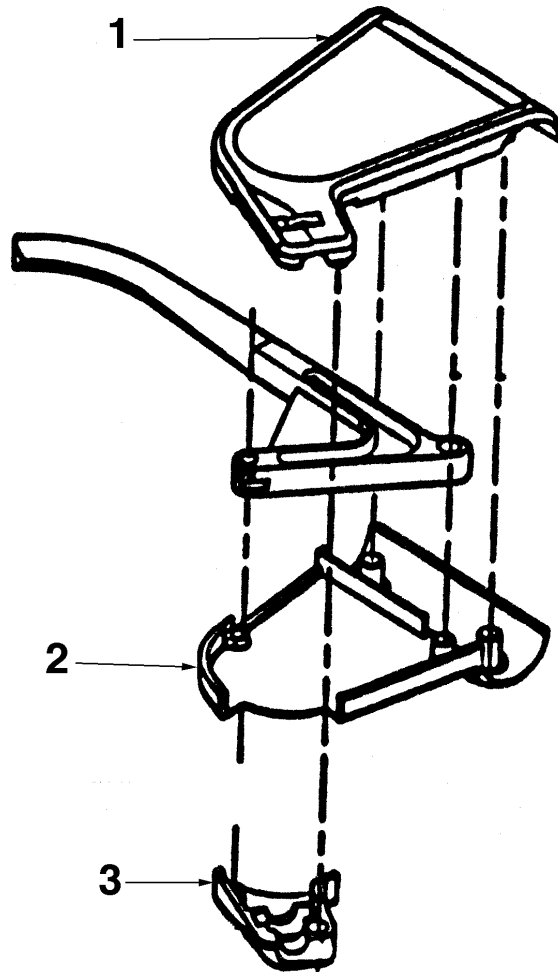
Service Kit 753-0832

CODE: CP-029

DATE: March 9, 1998

SUBJ: Control housings for self-propelled
Chipper-Shredder
Vacuums

Use this service kit when replacing the control housing for self-propelled chipper-shredder vacuum units.



Service Kit 753-0832 consists of:

Ref. No.	Part No.	Description	Qty.
1	731-1735	Upper Clutch Cover	1
2	731-1736	Lower Clutch Cover	1
3	731-1059	Speed Control Cover	1