

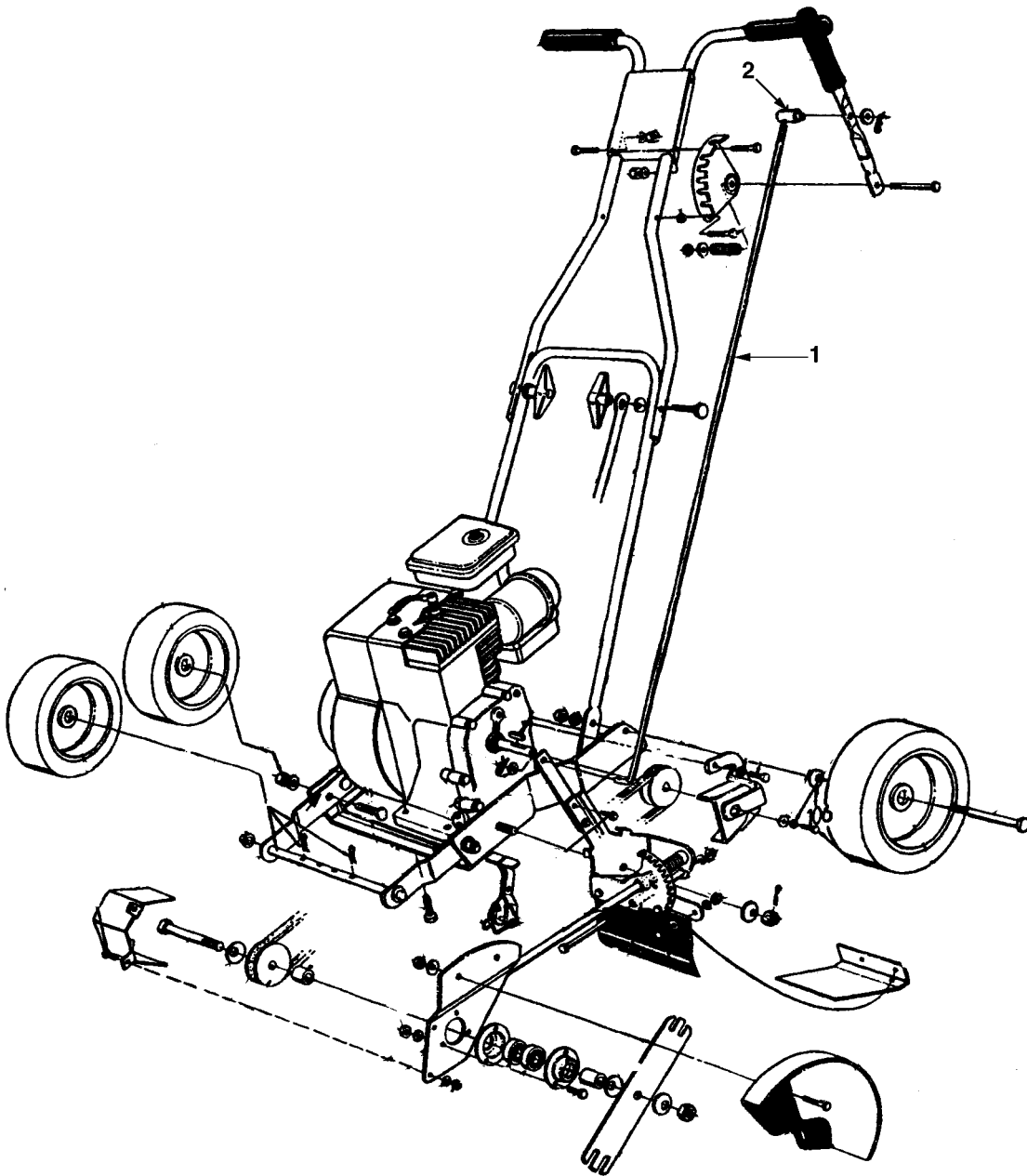
Service Kit 753-0848

CODE: CP-034

DATE: May 13, 1999

SUBJ: Single-piece clutch rod for
model 588 edgers.

Diagram:



Service Kit 753-0848 Consists of:

Ref. No.	Part No.	Description	Qty.
1	747-1164	Clutch Rod	1
2	711-0392	Ferrule	1